



TECHNOLOGICAL
INNOVATION
2011





**technological
innovation**

2011

Preliminary





reflection series

Reflection LEDko FullSpectrum

Reflection LEDko FS
10011A000

coemar
LIGHT MOTION
made in Italy

FullSpectrum

A097

Warning!
High voltage inside.
Disconnect from power supply
before opening.
A good ground connection is
Do not install on flammable material.
Never exceed 16 units at 230V
8 units at 90V.

menu enter + -

Power

In Out

DMX

In Out

PUSH

KEY FEATURES

- An innovative “Multi-LED” light source producing uniform beam with no pixels or dots (Patent Pending)
- Full spectrum color mixing + all whites from 3200 K to 9000 K + digital color filters
- No more multicolored shadows
- Soft/Hard edge profile
- Instant gobos from your standard printer
- Available and / or compatible with various standard optics and accessories
- Ideal for very low noise applications

SPECIFICATIONS:

- RGBW and CMY modes available, with pure colour mixing throughout the field and all whites from 3200 to 9000K
- Digitally simulates leading gel filter colours through built-in libraries
- Four blade framing system, each shutter blade is adjustable for radial position and angle
- Electronic 16 bit dimming with 2 selectable curves, simulating halogen or discharge lamp based fixtures
- Synchronized, random or pulse electronic strobe
- Flicker free operation with LED frequency controlled via DMX from 500 Hz to 5000 Hz
- Weatherproof rating IP 20

PHYSICAL SIZE:

- Length: 601 mm (23.7 in)
- Height: 189 mm (7.5 in)
- Height with bracket: 372 mm (14.6 in)
- Width: 212 mm (8.4 in)
- Weight: 6 Kg (13.2 lbs)

LIGHT SOURCE

- Modular 120 W multiple LED light source (Patent Pending)
- Led life: 50000 hours at 70% lumen intensity maintenance

Profile*
Soft Profile*
(Patent Pending)

* various angles available

CONTROL PROTOCOL AND PROGRAMMING

- USITT DMX512A
- DMX Channels: 12/8/4
- Setting, addressing, testing and measurements via Led display or remotely using Coemar DR1+ Plus

ELECTRICAL SPECIFICATIONS/CONNECTIONS

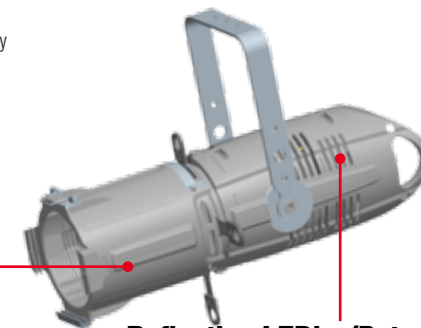
- AC power: 90-250 V, auto sensing, 50/60 Hz
- In and Out PowerCon connectors to feed up to 16 (at 230 VAC) or 8 (90 VAC)
- Power consumption: 0.82 A at 230 V , 1.70 A at 115 V
- DMX data in/out: 5 pin locking XLR

AVAILABLE LED SOURCE VERSION

- VariWhite (from 3000 K to 7000 K)
- White 3200 K

ACCESSORIES

- Gobo holder
- Colour frame
- Iris
- 4-leaf barndoor
- Flight case
- Optics: Profile/Soft Profile, various angles available



Reflection LEDko (Patent Pending)
FullSpectrum #10011A000

Reflection LEDko VariWhite 3000/7000 K

Reflection LEDko VW # 10011A003

KEY FEATURES

- An innovative “Multi-LED” light source producing uniform beam with no pixels or dots (Patent Pending)
- Color temperature control, proportional from 3000 K to 7000 K
- Soft/Hard edge profile
- Instant gobos from your standard printer
- Available and / or compatible with various standard optics and accessories
- Ideal for very low noise applications

SPECIFICATIONS

- Proportional control of white color temperature from 3000 to 7000 K
- Four blade framing system, each shutter blade is adjustable for radial position and angle
- Electronic 16 bit dimming with 2 selectable curves, simulating halogen or discharge lamp based fixtures
- Synchronized, random or pulse electronic strobe
- Flicker free operation with LED frequency controlled via DMX from 500 Hz to 5000 Hz
- Weatherproof rating IP 20

PHYSICAL SIZE

- Length: 601 mm (23.7 in)
- Height: 189 mm (7.5 in)
- Height with bracket: 372 mm (14.6 in)
- Width: 212 mm (8.4 in)
- Weight: 6 Kg (13.2 lbs)

LIGHT SOURCE

- Modular 120 W multiple LED light source (Patent Pending)
- Led life: 50000 hours at 70% lumen intensity maintenance

CONTROL PROTOCOL AND PROGRAMMING

- USITT DMX512A
- DMX Channels: 5
- Setting, addressing, testing and measurements via Led display or remotely using Coemar DR1+ Plus

ELECTRICAL SPECIFICATIONS/CONNECTIONS

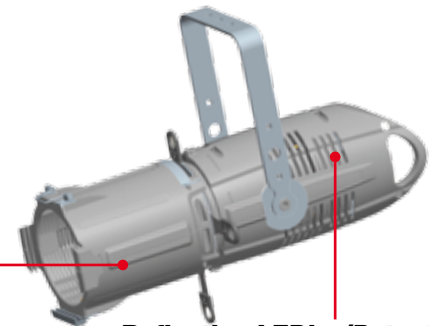
- AC power: 90-250 V, auto sensing, 50/60 Hz
- In and Out PowerCon connectors to feed up to 16 (at 230 VAC) or 8 (90 VAC)
- Power consumption: 0.82 A at 230 V , 1.70 A at 115 V
- DMX data in/out: 5 pin locking XLR

AVAILABLE LED SOURCE VERSION

- Full Spectrum (RGB+W)
- White 3200 K

ACCESSORIES

- Gobo holder
- Colour frame
- Iris
- 4-leaf barndoor
- Flight case
- Optics: Profile/Soft Profile, various angles available



Profile*
Soft Profile*
(Patent Pending)

* various angles available

Reflection LEDko (Patent Pending)
VariWhite #10011A003

Reflection LEDko White 3200 K

Reflection LEDko W 3200 K # 10011A009

KEY FEATURES

- An innovative “Multi-LED” light source producing uniform beam with no pixels or dots (Patent Pending)
- Fixed 3200 K white light output at its best
- Soft/Hard edge profile
- Instant gobos from your standard printer
- Available and / or compatible with various standard optics and accessories
- Ideal for very low noise applications

SPECIFICATIONS

- Fixed white color temperature 3200 K
- Four blade framing system, each shutter blade is adjustable for radial position and angle
- Electronic 16 bit dimming with 2 selectable curves, simulating halogen or discharge lamp based fixtures
- Synchronized, random or pulse electronic strobe
- Flicker free operation with LED frequency controlled via DMX from 500 Hz to 5000 Hz
- Weatherproof rating IP 20

PHYSICAL SIZE

- Length: 601 mm (23.7 in)
- Height: 189 mm (7.5 in)
- Height with bracket: 372 mm (14.6 in)
- Width: 212 mm (8.4 in)
- Weight: 6 Kg (13.2 lbs)

LIGHT SOURCE

- Modular 120 W multiple LED light source (Patent Pending)
- Led life: 50000 hours at 70% lumen intensity maintenance

CONTROL PROTOCOL AND PROGRAMMING

- USITT DMX512A
- DMX Channels: 5
- Setting, addressing, testing and measurements via Led display or remotely using Coemar DR1+ Plus

ELECTRICAL SPECIFICATIONS/CONNECTIONS

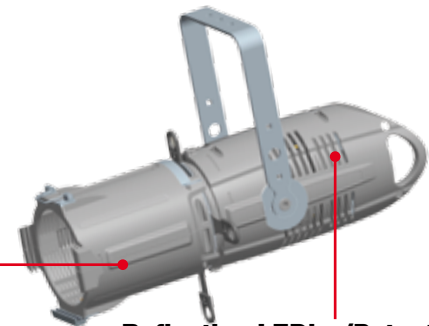
- AC power: 90-250 V, auto sensing, 50/60 Hz
- In and Out PowerCon connectors to feed up to 16 (at 230 VAC) or 8 (90 VAC)
- Power consumption: 0.82 A at 230 V , 1.70 A at 115 V
- DMX data in/out: 5 pin locking XLR

AVAILABLE LED SOURCE VERSION

- FullSpectrum (RGB+W)
- VariWhite (from 3000 K to 7000 K)

ACCESSORIES

- Gobo holder
- Colour frame
- Iris
- 4-leaf barndoor
- Flight case
- Optics: Profile/Soft Profile, various angles available



Profile*
Soft Profile*
(Patent Pending)

* various angles available

Reflection LEDko (Patent Pending)
White 3200 K #10011A009



infinity series

Infinity M

Spot, Wash, ACL

“MULTI-lamp” concept (Patented)

MSR Gold 575/2 MiniFastFit

MSR Gold 700/2 MiniFastFit

Tungsten MiniFastFit



∞ Infinity ACL M

9303



KEY FEATURES

- **“MULTI-lamp” ready (Patented)**
- **Tungsten and discharge lamps compatible for multiple applications**
- **Variable beam control with rotating aerial effects**
- **Wash “frosted” look**
- **Included moon flower effect**
- **Focuseable black-light**
- **Split color beam effects**
- **Cinema effect**
- **Artnet ready**
- **New digital ballast technology**

SPECIFICATIONS

- CMY color mixing
- 5 colors + open
- CTO filter
- UV effect
- 7 rotating aerial effects + open
- Film frame effect
- Proportional variable beam angle
- Min/Max beam angle 3°/ 7°
- Proportional frost
- Dimmer
- Mechanical and electronic strobe (zap effect), synchronized, random, pulse effect
- Modular design for easy maintenance and servicing
- Pan 540°, Tilt 284°, 16 bit

PHYSICAL SIZE

- Length: 459 mm (18.1 in)
- Width: 377 mm (14.8 in)
- Height: 612 mm (24.1 in), head straight up
- Weight: 25 kg (55 lbs)

LAMP AND BALLAST

- Type: 750W tungsten halogen lamp, Philips MSR Gold 575/2, Philips MSR Gold 700/2 (mounted)
- Mini FastFit, MULTI-lamp ready
- Socket: PGJX28
- Digital electronic ballast with Power Factor Correction

CONTROL PROTOCOL AND PROGRAMMING

- USITT DMX512A
- Artnet, Artnet to DMX converter
- DMX channels: 19/20
- Setting and addressing: LCD display or remotely

ELECTRICAL SPECIFICATIONS/CONNECTIONS

- AC power: 90 – 260 V, auto sensing, 50/60 Hz, 2m (6.6 ft) integral cable without power plug
- Power consumption (with MSR Gold 700/2): 4.5 A at 230 V, 9.5 A at 115 V
- DMX data in/out: 3 pin and 5 pin locking XLR
- Ethernet RJ45 port



∞ Infinity Wash M

9302



KEY FEATURES

- “MULTI-lamp” ready (Patented)
- Tungsten and discharge lamps compatible for multiple applications
- 2 Zoom ranges for both long and short throw applications (overall 42° to 6°)
- Moon flower aerial effect (Patent pending)
- Space, weight, power saving
- Fully equipped effects engine
- Artnet ready
- New digital ballast technology

SPECIFICATIONS

- CMY color mixing
- 5 colors + open
- CTO filter
- Beam shaper 360°
- 2 Prismatic effects: moon flower, beam'o (**Patent Pending**)
- Motorized optical effect zoom: 6° to 26°
- Motorized optical wide zoom: 8° to 42°
- Dimmer
- Mechanical and electronic strobe (zap effect), synchronized, random, pulse effect
- Modular design for easy maintenance and servicing
- Pan 540°, Tilt 284°, 16 bit

PHYSICAL SIZE

- Length: 459 mm (18.1 in)
- Width: 377 mm (14.8 in)
- Height: 602 mm (23.7 in), head straight up
- Weight: 25 kg (55 lbs)

LAMP AND BALLAST

- Type: 750W tungsten halogen lamp, Philips MSR

- Gold 575/2, Philips MSR Gold 700/2 (mounted)
- Mini FastFit, MULTI-lamp ready
- Socket: PGJX28
- Digital electronic ballast with Power Factor Correction

CONTROL PROTOCOL AND PROGRAMMING

- USITT DMX512A
- Artnet, Artnet to DMX converter
- DMX channels: 18
- Setting and addressing: LCD display or remotely

ELECTRICAL SPECIFICATIONS/CONNECTIONS

- AC power: 90 – 260 V, auto sensing, 50/60 Hz, 2m (6.6 ft) integral cable without power plug
- Power consumption (with MSR Gold 700/2): 4.5 A at 230 V, 9.5 A at 115 V
- DMX data in/out: 3 pin and 5 pin locking XLR
- Ethernet RJ45 port



∞ Infinity Spot M

9301



KEY FEATURES

- **“MULTI-lamp” ready (Patented)**
- **Tungsten and discharge lamps compatible for multiple applications**
- **New superfast zoom mode, from 42° to 9° in .4s**
- **HD quality projection, dimming & CMY**
- **Space, weight, power saving**
- **Fully equipped effects engine**
- **Artnet ready**
- **New digital ballast technology**

SPECIFICATIONS

- CMY color mixing
- 5 colors + open
- CTO filter
- 1 aerial wheel, 7 gobos + open
- 1 break-up wheel, 7 gobos + open
- 2 rotating prisms
- Film frame effect
- Focus
- Proportional zoom 9° - 42°
- Proportional frost
- Iris
- Dimmer
- Mechanical and electronic strobe (zap effect), synchronized, random, pulse effect
- Modular design for easy maintenance and servicing
- Pan 540°, Tilt 284°, 16 bit

PHYSICAL SIZE

- Length: 459 mm (18.1 in)
- Width: 377 mm (14.8 in)
- Height: 602 mm (23.7 in), head straight up
- Weight: 27 kg (59.2 lbs)

LAMP AND BALLAST

- Type: 750W tungsten halogen lamp, Philips MSR Gold 575/2, Philips MSR Gold 700/2 (mounted)
- Mini FastFit, MULTI-lamp ready
- Socket: PGJX28
- Digital electronic ballast with Power Factor Correction

CONTROL PROTOCOL AND PROGRAMMING

- USITT DMX512A
- Artnet, Artnet to DMX converter
- DMX channels: 23/24
- Setting and addressing: LCD display or remotely

ELECTRICAL SPECIFICATIONS/CONNECTIONS

- AC power: 90 – 260 V, auto sensing, 50/60 Hz, 2m (6.6 ft) integral cable without power plug
- Power consumption (with MSR Gold 700/2): 4.5 A at 230 V, 9.5 A at 115 V
- DMX data in/out: 3 pin and 5 pin locking XLR
- Ethernet RJ45 port





lite led series

ParLite Led White 3200K

9907



KEY FEATURES

- **3200K white light output at its best**
- **Ideal digital substitute of a traditional spot fresnel 650W**
- **75% to 82% energy saving compared to traditional technology at the same brightness**
- **Thick aluminum, long lasting light source in long lasting body**
- **Variable light projection angles via quick lens change (12°, 30°, 13°x40°, 50°, 110°)**
- **Internal / External gel frame (standard size)**
- **Smart build "Quick Stand" tucked into yoke**
- **No fan, no maintenance, no noise**

SPECIFICATIONS

- LEDs White 3200 K
- Standard lens 12°
- Electronic dimmer (2 different curves selectable)
- Electronic strobe, synchronized, random, pulse effect
- Flicker free
- ETL approved
- Double yoke for easy ground standing or truss hanging
- Weatherproof rating IP 20 (ParLite Led), IP 65 (ParLite Led IP65)

PHYSICAL SIZE

- Length: 211 mm (8.3 in)
- Width: 182 mm (7.1 in)
- Height: 267 mm (10.5 in)
- Weight: 3.5 kg (7.7 lbs)

LIGHT SOURCE

- 36 P4 Seoul leds

CONTROL PROTOCOL AND PROGRAMMING

- USITT DMX512A
- Dmx channels: 6

- Setting and addressing: binary dip switch or remotely

ELECTRICAL SPECIFICATIONS/CONNECTIONS

- AC power: 90-250 V, auto sensing, 50/60 Hz, 2m (6.6 ft) integral cable without power plug
- Power consumption: 0.2 A at 230 V, 0.5 A at 115 V
- DMX data in/out: 3 pin locking XLR

ACCESSORIES

- 30° lens kit (# 9167)
- 50° lens kit (# 9167/3)
- 40°x13° elliptical lens kit (# 9167/2)
- 110° flood reflector (# 9168)
- Frame for internal frost filter (# 9169)
- Frame for external frost filter (# 9169/1)
- 4 leaf barndoor (# 9164)
- IP 65 rear panel (black: # 08E, silver: # 08/1E)
- 5 pin locking XLR (# 9189) - Only ParLite Led



ParLite Led VariWhite 2700/3500 K

9969



KEY FEATURES

- Color temperature control, proportional from 2700K to 3500K
- Ideal digital substitute of a traditional spot fresnel 650W
- 75% to 82% energy saving compared to traditional technology at the same brightness
- Thick aluminum, long lasting light source in long lasting body
- Variable light projection angles via quick lens change (12°, 30°, 13°x40°, 50°, 110°)
- Internal / External gel frame (standard size)
- Smart build "Quick Stand" tucked into yoke
- No fan, no maintenance, no noise

SPECIFICATIONS

- Proportional control of white color temperature from 2700 K to 3500K
- Standard lens 12°
- Electronic dimmer (2 different curves selectable)
- Electronic strobe, synchronized, random, pulse effect
- Flicker free
- ETL approved
- Double yoke for easy ground standing or truss hanging
- Weatherproof rating IP 20 (ParLite Led), IP 65 (ParLite Led IP65)

PHYSICAL SIZE

- Length: 211 mm (8.3 in)
- Width: 182 mm (7.1 in)
- Height: 267 mm (10.5 in)
- Weight: 3.5 kg (7.7 lbs)

LIGHT SOURCE

- 36 P4 Seoul leds

CONTROL PROTOCOL AND PROGRAMMING

- USITT DMX512A

- Dmx channels: 6
- Setting and addressing: binary dip switch or remotely

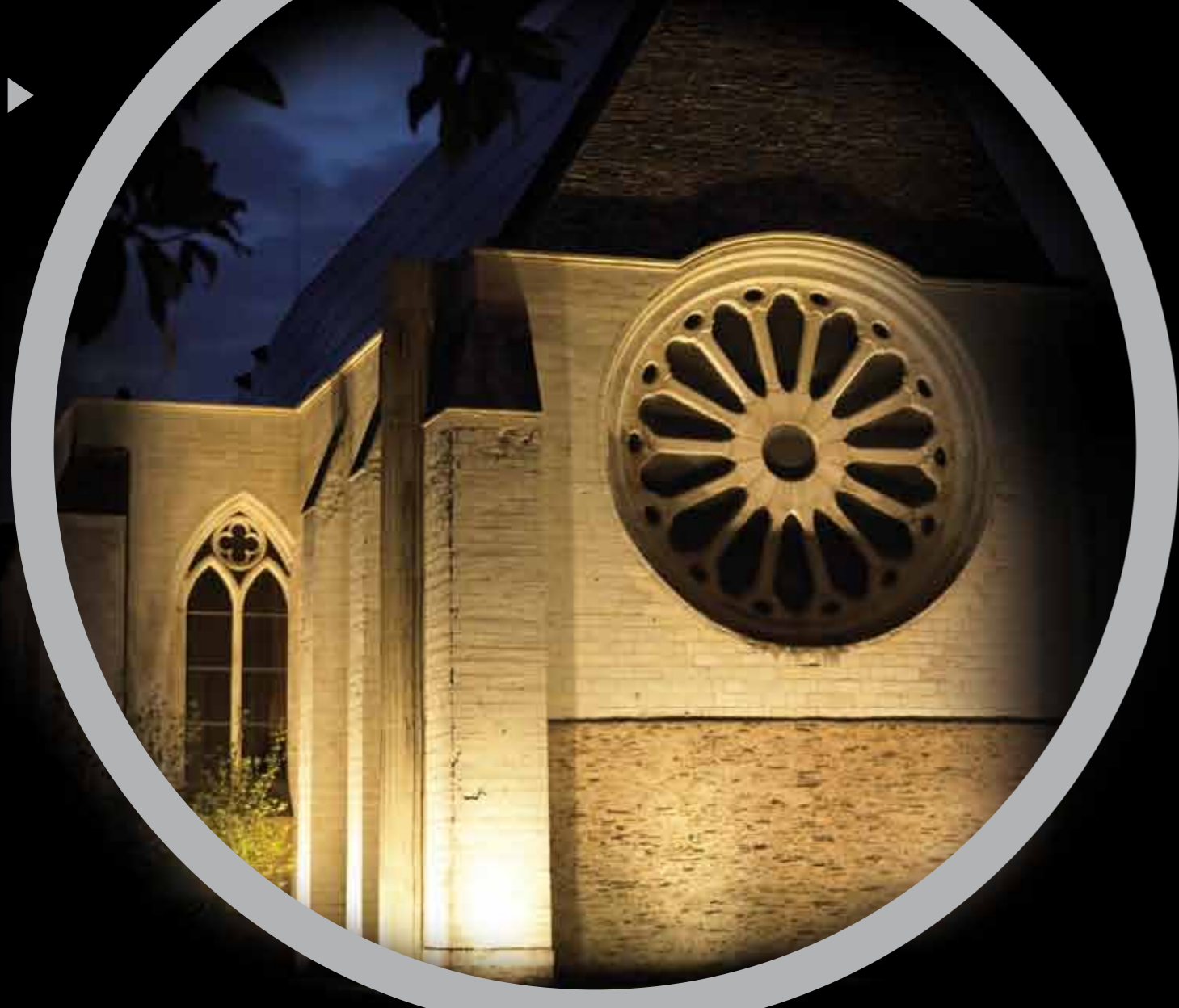
ELECTRICAL SPECIFICATIONS/CONNECTIONS

- AC power: 90-250 V, auto sensing, 50/60 Hz, 2m (6.6 ft) integral cable without power plug
- Power consumption: 0.2 A at 230 V, 0.5 A at 115 V
- DMX data in/out: 3 pin locking XLR

ACCESSORIES

- 30° lens kit (# 9167)
- 50° lens kit (# 9167/3)
- 40°x13° elliptical lens kit (# 9167/2)
- 110° flood reflector (# 9168)
- Frame for internal frost filter (# 9169)
- Frame for external frost filter (# 9169/1)
- 4 leaf barndoor (# 9164)
- IP 65 rear panel (black: # 08E, silver: # 081E)
- 5 pin locking XLR (# 9189) - Only ParLite Led





panorama

& avantgarde

series

Panorama Led Inground PLC



SPECIFICATIONS

- Full RGB + White color mixing
- Tilt adjustable angle +/- 10°
- Standard lens 12°
- Interchangeable optics
- Electronic dimmer
- Electronic strobe, synchronized, random, pulse effect
- IP 68 Full Dry weatherproof rating

PHYSICAL SIZE

- Ring outer diameter: 215 mm (6.0 in)
- Height: 325 mm (12.8 in)
- Weight: 3,6 kg (7.9 lbs)
- Weight resistance: 4000 kg (8.8 lbs)

LIGHT SOURCE

- 3 Cree leds, full RGB + White

CONTROL PROTOCOL AND PROGRAMMING

- Power line communication
- Channels: 6
- Setting and addressing: remotely with Dr1+
- 4 Internal automatic programs
- Master/slave function

ELECTRICAL SPECIFICATIONS/CONNECTIONS

- AC power: 90-250 V, auto sensing, 50/60 Hz,
- 2m (6.6 ft) power supply free cable included

ACCESSORIES

- 35° lens kit
- Sleeve h 325 mm (# 8945030)
- Anti-vandalism screw kit (# 8949002)
- IP68 gel joint (# 8917003)

KEY FEATURES

- **NEW PowerLine Communication system**
- **No more signal cabling required!**
- **Full control of all functions (RGB and dimming) through standard power line**
- **Fast and easy refitting of existing lights**
- **Save energy (-90%) and money**
- **No maintenance required**
- **Full internal color mixing**



Panorama Led Flood PLC

SPECIFICATIONS

- Full RGB + White color mixing
- Standard lens 12°
- Interchangeable optics
- Electronic dimmer
- Electronic strobe, synchronized, random, pulse effect
- IP 65 weatherproof rating

PHYSICAL SIZE

- Length: 300 mm (11.8 in)
- Width: 200 mm (7.9 in)
- Height with bracket: 263 mm (10.3 in)
- Weight: 5.6 kg (12.3 lbs)

LIGHT SOURCE

- 3 Cree leds, full RGB + White

CONTROL PROTOCOL AND PROGRAMMING

- Power line communication
- Channels: 6
- Setting and addressing: remotely with Dr1+
- 4 Internal automatic programs
- Master/slave function

ELECTRICAL SPECIFICATIONS/CONNECTIONS

- AC power: 90-250 V, auto sensing, 50/60 Hz,
- 2m (6.6 ft) power supply free cable included

ACCESSORIES

- Spike (#9005600)
- 35° lens kit



KEY FEATURES

- **NEW PowerLine Communication system**
- **No more signal cabling required!**
- **Full control of all functions (RGB and dimming) through standard power line**
- **Fast and easy refitting of existing lights**
- **Save energy (-90%) and money**
- **No maintenance required**
- **Full internal color mixing**



Concept Design 24



SPECIFICATIONS

- Digital control for max 24 LED at 350mA constant current
- Controllable via DMX 512 or remote control
- 8 outputs RJ 45 also independents
- Digital dimmer of the controlled leds
- Electronic strobe, synchronized, random, pulse effect
- Multifunction display for DMX addressing, test, settings, measures, diagnostic
- Compatible with DR 1 + for remote control and software updates
- IP 20 weatherproof rating

PHYSICAL SIZE

- Rack standard 19" 1 unit
- Length: 355 mm (13.98 in)
- Width: 482.6 mm (19 in)
- Height: 44.45 mm (1.75 in)
- Weight: 3.5 Kg (7.71 lbs)

CONTROL PROTOCOL AND PROGRAMMING

- USITT DMX512A
- Dmx channels: 3/6/24/28

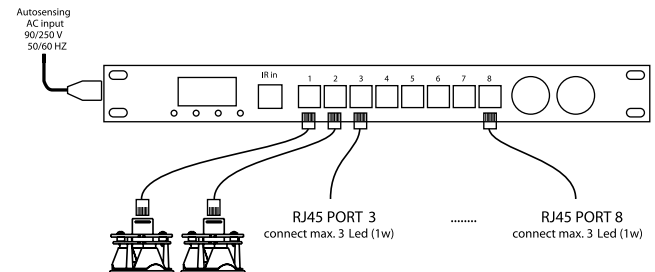
- Setting and addressing: led display or remotely
- Infrared control
- Internal automatic programs
- Master and slave function

ELECTRICAL SPECIFICATIONS/CONNECTIONS

- AC power: 90-250 V, auto sensing, 50/60Hz
- Constant current output: 350 mA
- DMX data in/out: 5 pin XLR M/F

ACCESSORIES

- RJ45 inline extension coupler (# AELDG001)
- Connection cable RJ45 5 mt (# CV261)
- Connection cable RJ45 10 mt (# CV262)
- Remote control (# AFO9281/1)
- IR RJ12 sensor (# AEO34)
- Connection cable RJ12/RJ12 for IR sensor (# AFOCV271)



PCB 3 FC FullColor

SPECIFICATIONS

- Full color RGB, single chip
- IP 20 weatherproof rating

PHYSICAL SIZE

- Diameter with lens: 50 mm (2.0 in)
- Height without lens: 25.4 mm (1.0 in)
- Height with lens: 43.3 mm (1.7 in)
- Weight: 43 g (0.1 lbs)

LIGHT SOURCE

- 1Cree led

CONTROL PROTOCOL AND PROGRAMMING

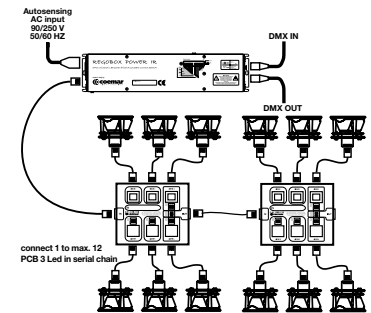
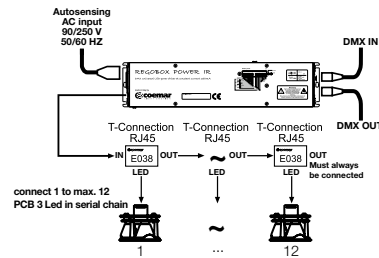
- With RegoBox Power or Concept Design 24/288

ELECTRICAL SPECIFICATIONS/CONNECTIONS

- Constant current power supply: 350 mA
- RJ45 connector IN

ACCESSORIES

- 12° optics
- 25° optics
- 35° optics
- Recessed housing (#F0681)





Coemar SpA
Via Inghilterra, 2/A
46042 Castel Goffredo - Mantova - Italy
ph. +39 0376 77521 - fax +39 0376 780657

www.coemar.com

Coemar S.p.A. reserves the right to change specifications without prior notice.