

Technical Brochure



RazorLite Led RGBW

Lite Led Series



RazorLite Led

RGBW

KEY FEATURES

- RGBW color mixing
- Standard lens 13° x 40°
- Thick aluminium, long lasting light source in long lasting body
- Flicker-free
- No fan, no maintenance, no noise

RazorLite Led

SPECIFICATIONS

RGBW color mixing

Standard lens 13°x 40°

Electronic dimmer

Electronic strobe, synchronized, random, pulse effect

Flicker-free

Quick camlock clamps, on a modular guide, with adjustable position

Weatherproof rating IP20 (RazorLite Led IP20), IP65 (RazorLite Led IP65)

PHYSICAL SIZE (Without ground-standing feet)

Length: 1009 mm (39.7 in)

Width: 95 mm (3.7 in)

Height: 117 mm (4.6 in)

Weight: 6.3 Kg (13.9 lbs)

PHYSICAL SIZE (With 2 ground-standing feet)

Length: 1009 mm (39.7 in)

Width: 220 mm (8.7 in)

Height: 207 mm (8.1 in)

Weight: 7.3 Kg (16.1 lbs)

LIGHT SOURCE

40 LEDs Cree, 10 Red, 10 Green, 10 Blue, 10 White

CONTROL PROTOCOL AND PROGRAMMING

USITT DMX512A

DMX Channels: 12/8/4/1

Setting, addressing, testing and measurements via LEDs display

ELECTRICAL SPECIFICATIONS/CONNECTIONS

AC power: 90-250 V, auto sensing, 50/60 Hz, 2 m (6.6 ft) intgral cable without power plug, with PowerCon connector (only IP20 version)

Power consumption: 0.4 A at 230 V, 0.9 A at 90 V - cosφ 0,9

DMX data in/out: 5 pin locking XLR

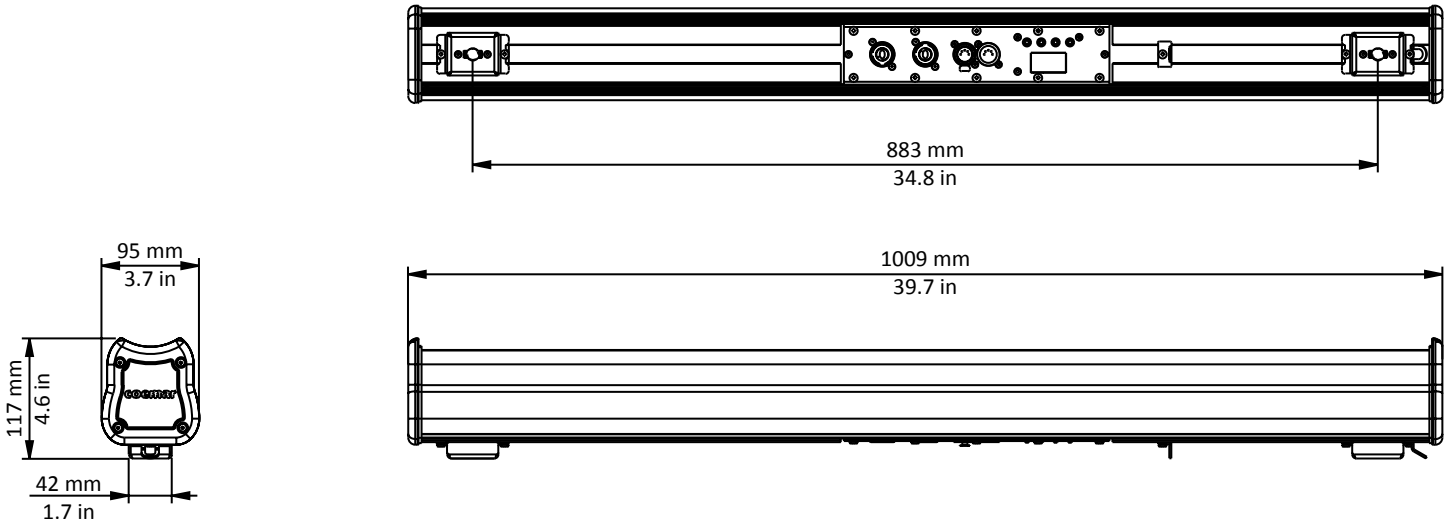
ACCESSORIES

12° lens kit

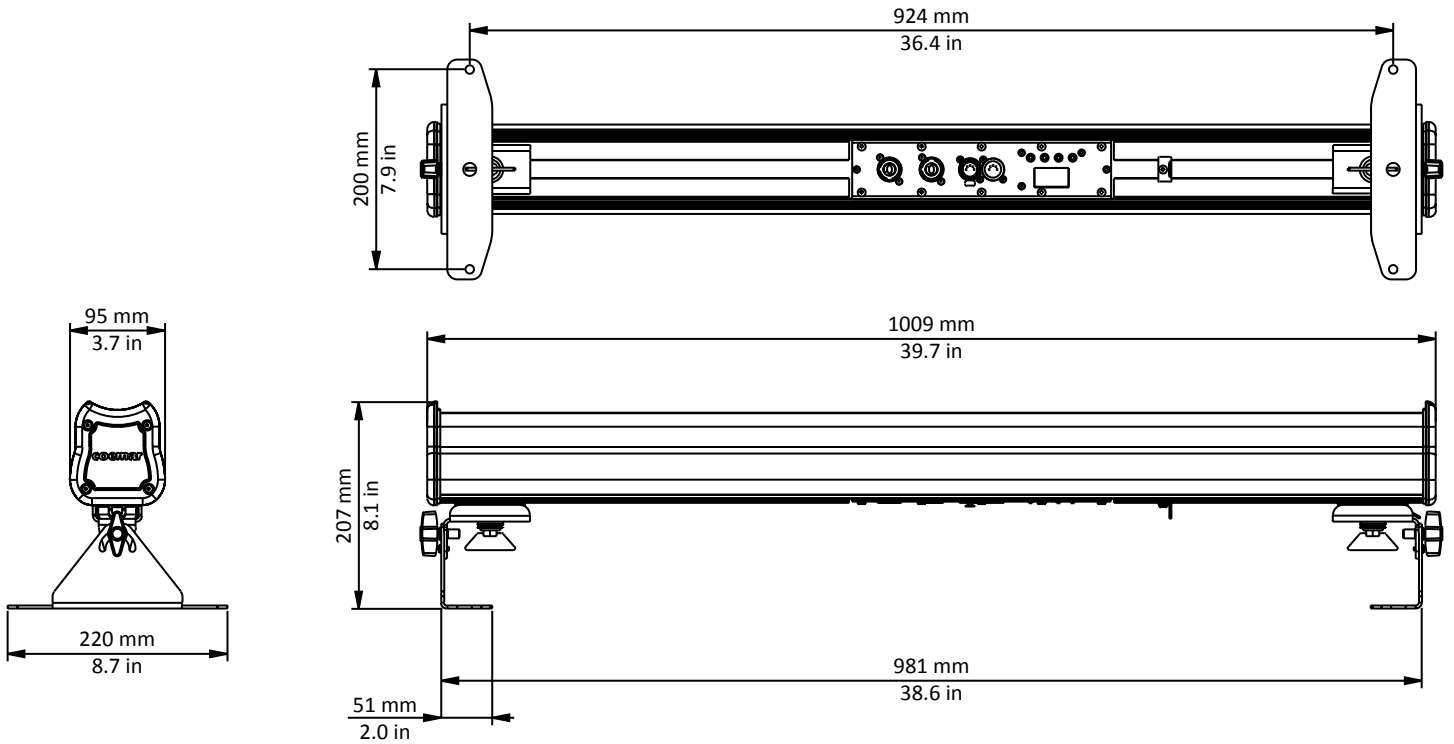
30° lens kit

50° lens kit

RazorLite Led without ground-standing feet



RazorLite Led with 2 ground-standing feet (optional)



DMX Chart 12 Channels	
channel	effect
1	Master dimmer
2	Red / Cyan
3	Green / Magenta
4	Blue / Yellow
5	White
6	Strobe effect
7	Dimmer fine
8	Special function
9	Red tone
10	Green tone
11	Blue tone
12	White tone

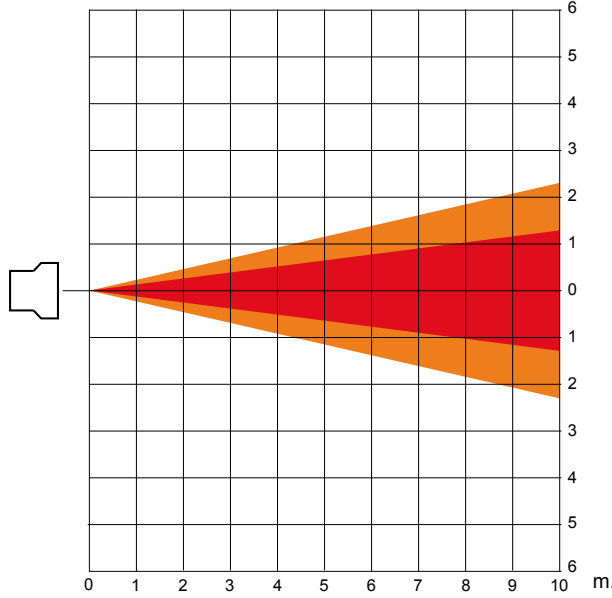
DMX Chart 8 Channels	
channel	effect
1	Master dimmer
2	Red / Cyan
3	Green / Magenta
4	Blue / Yellow
5	White
6	Strobe effect
7	Dimmer fine
8	Special function

DMX Chart 4 Channels	
channel	effect
1	Red / Cyan
2	Green / Magenta
3	Blue / Yellow
4	White

DMX Chart 1 Channels	
channel	effect
1	Master dimmer

13° X 40° Lenses - Vertical beam

Distance (m.)	1	2	3	4	5	6	7	8	9	10
RED	5516	1379	613	345	221	153	113	86	68	55
GREEN	8800	2200	978	550	352	244	180	138	109	88
Luminous emittance (Lux)	BLUE	2640	660	293	165	106	73	54	41	33
	WHITE	14531	3633	1615	908	581	404	297	227	179
	FULL	17120	4280	1902	1070	685	476	349	268	211
1/2 peak angle Ø (m.)	0.26	0.53	0.79	1.05	1.32	1.58	1.84	2.11	2.37	2.63
1/10 peak angle Ø (m.)	0.54	1.07	1.61	2.14	2.68	3.22	3.75	4.29	4.82	5.36

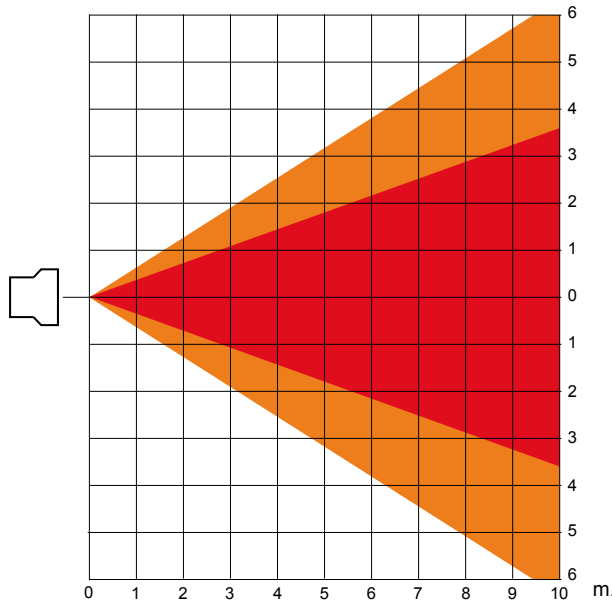


1/2 peak angle: 15°

1/10 peak angle: 30°

13° X 40° Lenses - Horizontal beam

Distance (m.)	1	2	3	4	5	6	7	8	9	10
RED	5516	1379	613	345	221	153	113	86	68	55
GREEN	8800	2200	978	550	352	244	180	138	109	88
Luminous emittance (Lux)	BLUE	2640	660	293	165	106	73	54	41	33
	WHITE	14531	3633	1615	908	581	404	297	227	179
	FULL	17120	4280	1902	1070	685	476	349	268	211
1/2 peak angle Ø (m.)	0.73	1.46	2.18	2.91	3.64	4.37	5.10	5.82	6.55	7.28
1/10 peak angle Ø (m.)	1.27	2.55	3.82	5.10	6.37	7.64	8.92	10.19	11.47	12.74



1/2 peak angle: 40°

1/10 peak angle: 65°



Coemar Lighting Srl
Via Carpenedolo, 90
46043 Castiglione delle Stiviere
Mantova - Italy
ph. +39 0376 1514412
fax. +39 0376 1514380

info@coemar.com
www.coemar.com