

Technical Brochure



Rialto

Classic Luminaires

Risalto 300/500

Fresnel

Risalto 300/500 Fresnel

SPECIFICATIONS

Fresnel lens

Proportional zoom: 7° - 40°

Color frame

PHYSICAL SIZE

Length: 309 mm (12.6 in)

Width: 253 mm (10.0 in)

Height: 210 mm (8.3 in)

Height, with bracket: 307 mm (12.0 in)

Weight: 5 Kg (11.0 lbs)

LIGHT SOURCE

Type: halogen lamp 300/500 W, 230/240 V

Socket: GY 9.5

ACCESSORIES

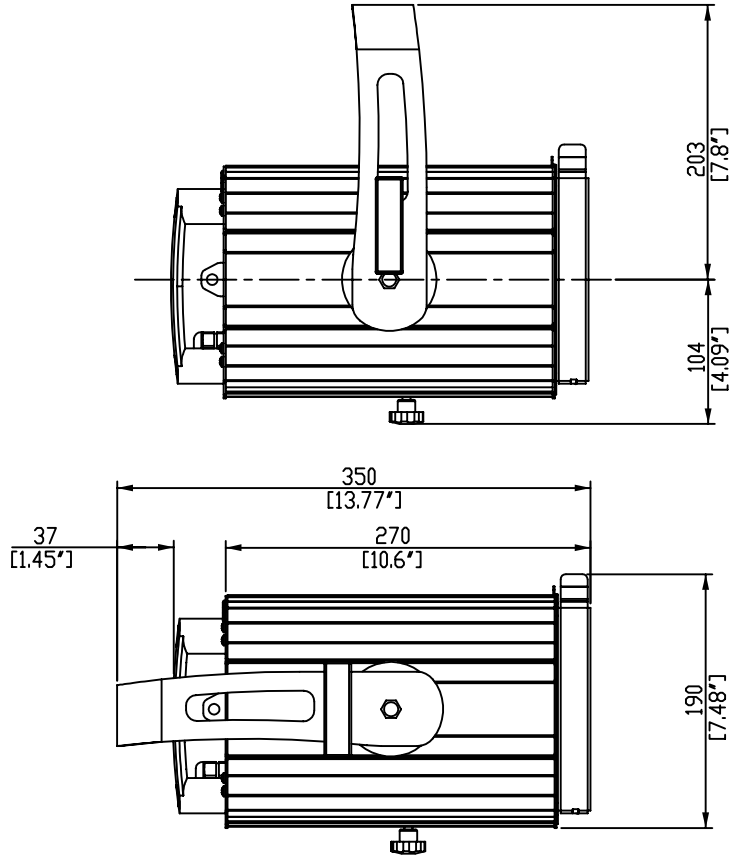
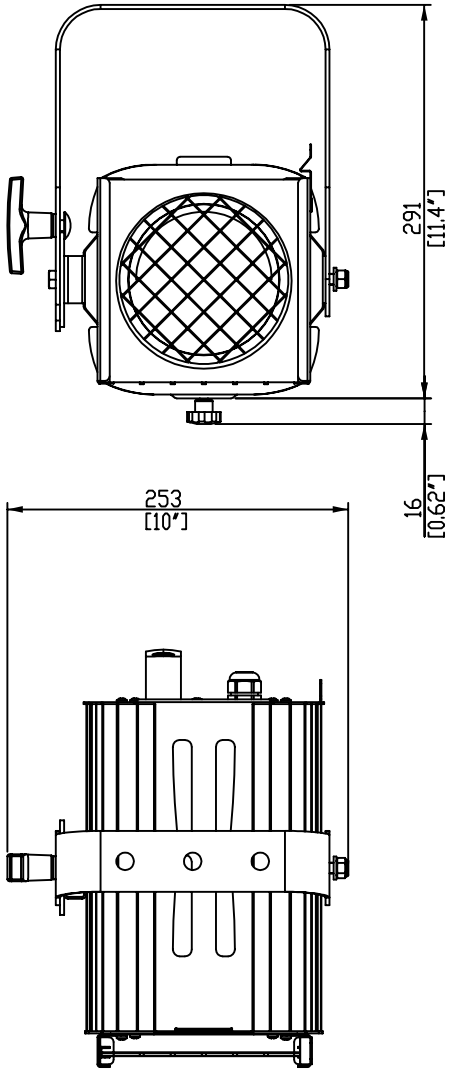
4-leaf barndoor (#4201)

Lamp 300 W, 230 V (#105013)

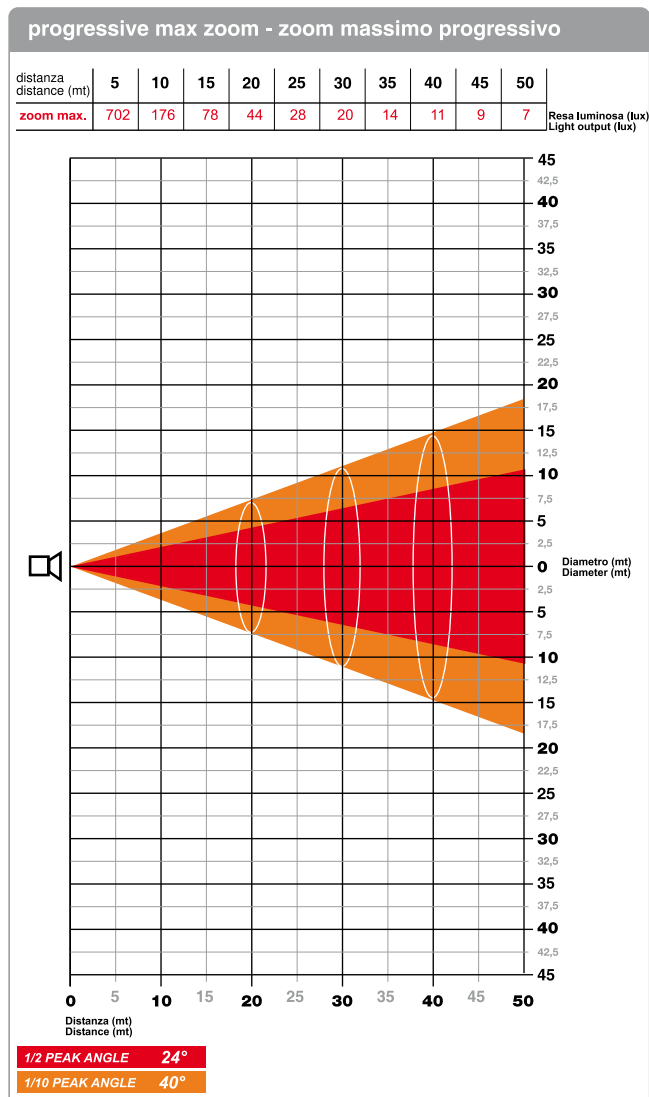
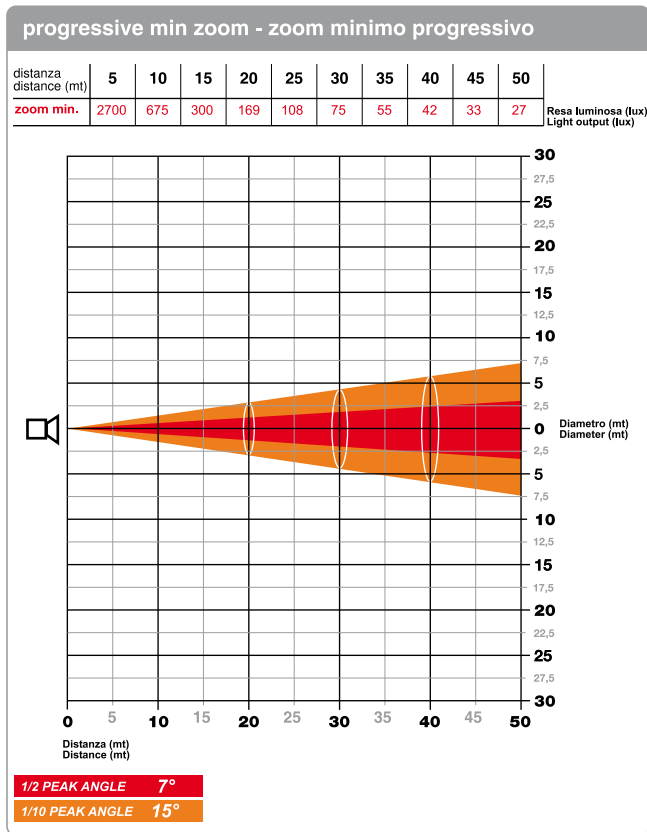
Lamp 500 W, 230 V (#105014)



Risalto 300/500 Fresnel - Drawing Size



Risalto 300/500 Fresnel - Photometrics Data





Coemar Lighting S.r.l.

Via Carpenedolo, 90
46043 Castiglione delle Stiviere
Mantova - Italy
ph. +39 0376 1514412
fax +39 0376 1514380

www.coemar.com
info@coemar.com