

Technical Brochure



PinSpot

LiteLedSeries



PinSpot

KEY FEATURES

- Light source: 3W Daylight LED
- Concentrated beam angle: 4°
- Flicker-free operation
- No maintenance required
- Thick aluminium enclosure to guaranteed body resistance in the long term
- Lite weight and compact size



PinSpot

SPECIFICATIONS

Fixed white color temperature at 5000 K

Flicker-free operation

Beam angle: 4°

Thick aluminium body

Orientable yoke

Weatherproof rating IP44

PHYSICAL SIZE

Length: 102.5 mm (4.03 in)

Width: 77 mm (3.03 in)

Height: 48 mm (1.88 in)

Height with bracket: 86.5 mm (3.40 in)

Weight: 0.4 Kg (0.88 lbs)

LIGHT SOURCE

Modular 3W LED

LEDs life: 20000 hours at 70% lumen intensity maintenance

CONTROL PROTOCOL AND PROGRAMMING

Max 50 PinSpot for 1 RegoBox (AC10005E012) (10 per line)

ELECTRICAL SPECIFICATIONS/CONNECTIONS

AC power: 3Vdc

T connection cable In/Out

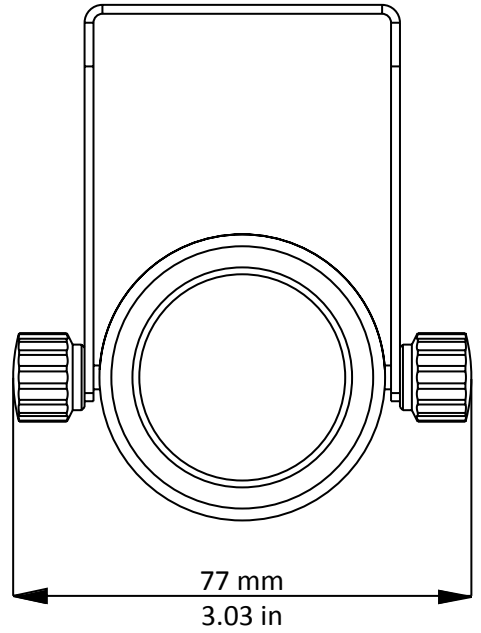
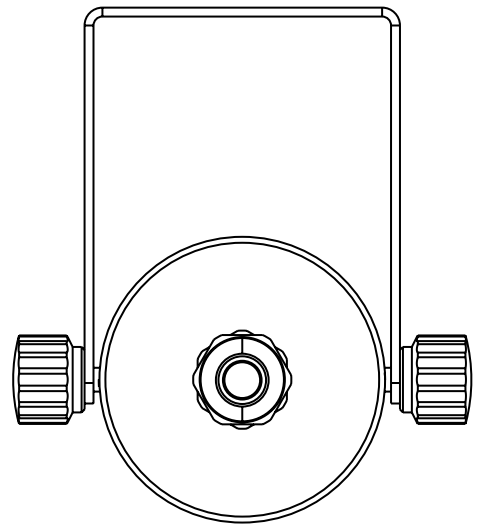
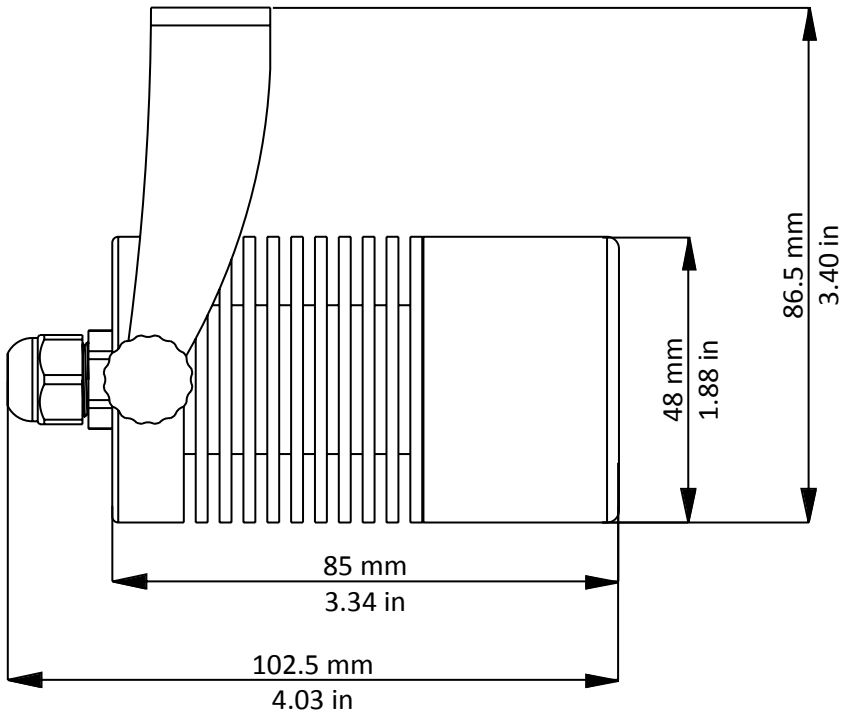
Power consumption: 700mA @ 3Vdc

ACCESSORIES

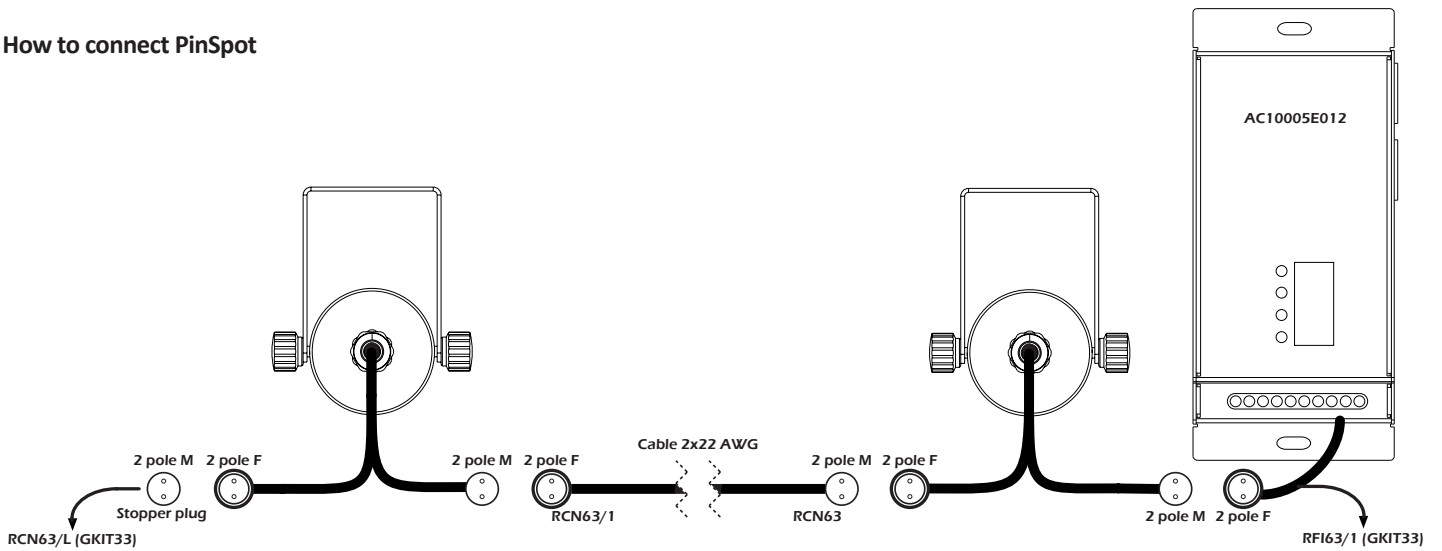
Switching (RSP20048)

Cable KIT start/end (GKIT33)

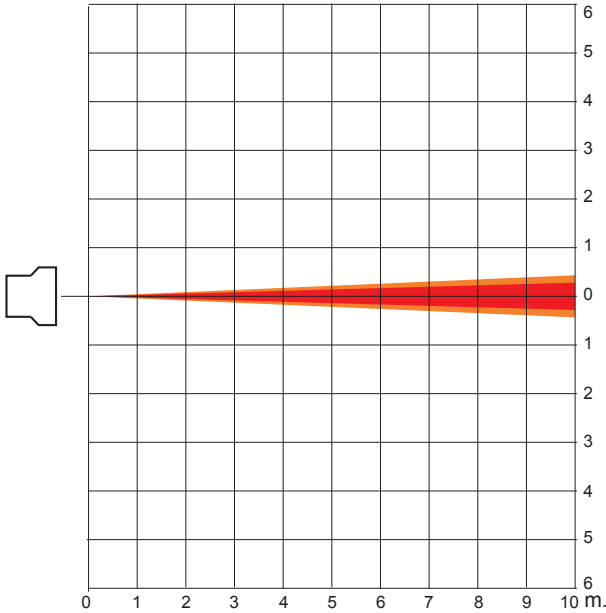
PinSpot - Drawing Size



How to connect PinSpot



Distance (m.)	1	2	3	4	5	6	7	8	9	10
Luminous emittance (Lux)	16500	4125	1833	1031	660	458	337	258	204	165
1/2 peak angle Ø (m.)	0.06	0.13	0.20	0.27	0.34	0.41	0.48	0.55	0.62	0.69
1/10 peak angle Ø (m.)	0.08	0.17	0.26	0.34	0.43	0.52	0.61	0.69	0.78	0.87



1/2 peak angle: 4°

1/10 peak angle: 5°



Coemar Lighting Srl
Via Carpenedolo, 90
46043 Castiglione delle Stiviere
Mantova - Italy
ph. +39 0376 1514412
fax. +39 0376 1514380

info@coemar.com
www.coemar.com