

Technical Brochure



REFLECTION
LED KO™ EXT Full Spectrum

Reflection Series



Reflection LEDko EXT

FullSpectrum Series 2

KEY FEATURES

- RGBW color mixing
- 180 W LED light source
- Thick aluminum, long lasting light source in long lasting body
- No maintenance required
- Profile Zoom 17°- 38°



Reflection LEDko EXT FullSpectrum Series 2

SPECIFICATIONS

- RGB+W colour mixing with Hue and Saturation control
- Four blade framing system, each shutter blade is adjustable for radial position and angle
- Internal gobo holder
- Electronic 16 bit dimming with 2 selectable curves, simulating halogen or discharge lamp based fixtures
- Synchronized, random or pulse electronic strobe
- Flicker-free operation with LEDs frequency controlled via DMX from 600 Hz to 19000 Hz
- Fan setting with 2 different options (Auto, Silent)

Weatherproof rating IP65

Profile zoom 17° - 38°

PHYSICAL SIZE

Length: 658 mm (25.9 in)

Width: 252.6 mm (9.94 in)

Height: 248 mm (7.0 in)

Height with bracket: 405 mm (15.94 in)

Weight: 16.0 Kg (35.2 lbs)

LIGHT SOURCE

Modular 180 W COB LED

LEDs life: 20000 hours at 70% lumen intensity maintenance

CONTROL PROTOCOL AND PROGRAMMING

USITT DMX512A

Setting, addressing, testing and measurements via LEDs display

DMX channel: 1/4/7/8/14

RDM

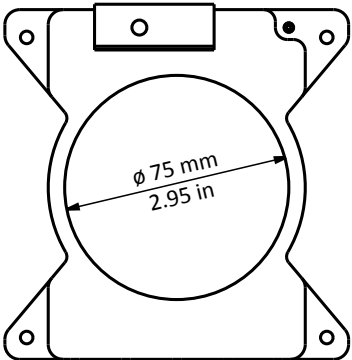
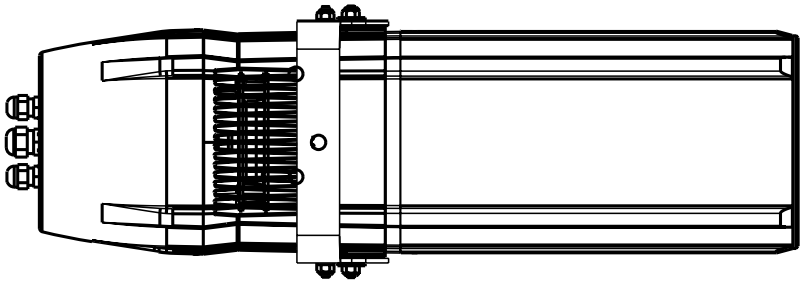
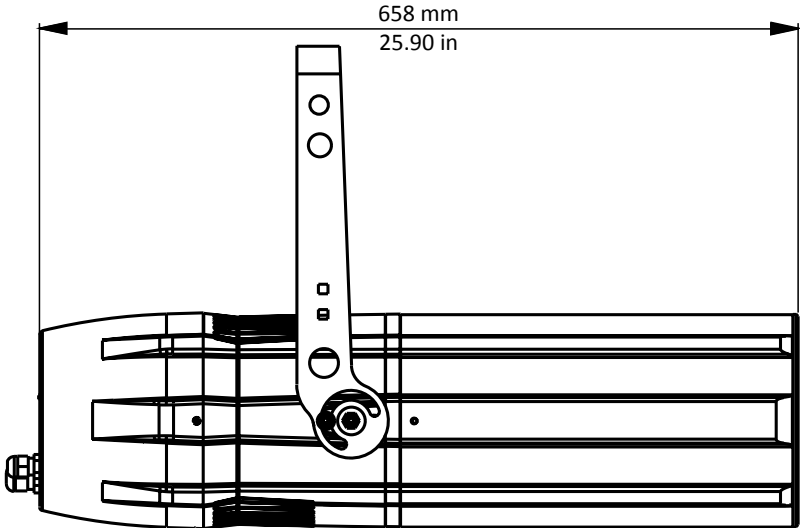
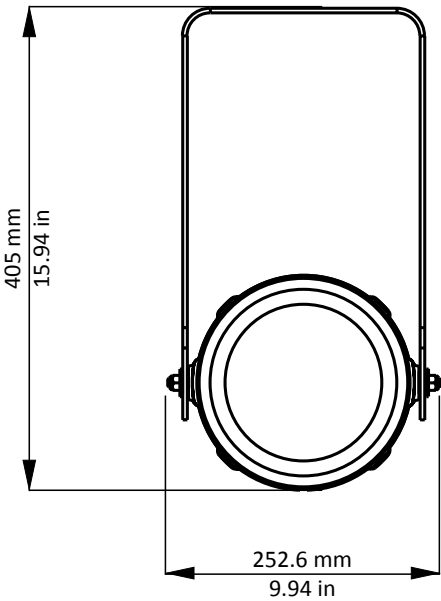
ELECTRICAL SPECIFICATIONS/CONNECTIONS

AC power: 90-230V, auto sensing, 50/60 Hz

Internal cable without power plug

Power consumption: 0.84 A at 230 V, 2.13 A at 90 V - cosφ 0,99

DMX data in/out: 5 pin locking XLR



Gobo holder

DMX Chart 14 Channels	
channel	effect
1	Master dimmer
2	Red
3	Green
4	Blue
5	White
6	Strobe effect
7	Dimmer fine
8	Special functions
9	Red tone
10	Green tone
11	Blue tone
12	White tone
13	Green saturation
14	Saturation

DMX Chart 7 Channels	
channel	effect
1	Master dimmer
2	Color temperature
3	Green saturation
4	Saturation
5	Hue
6	Dimmer fine
7	Special function

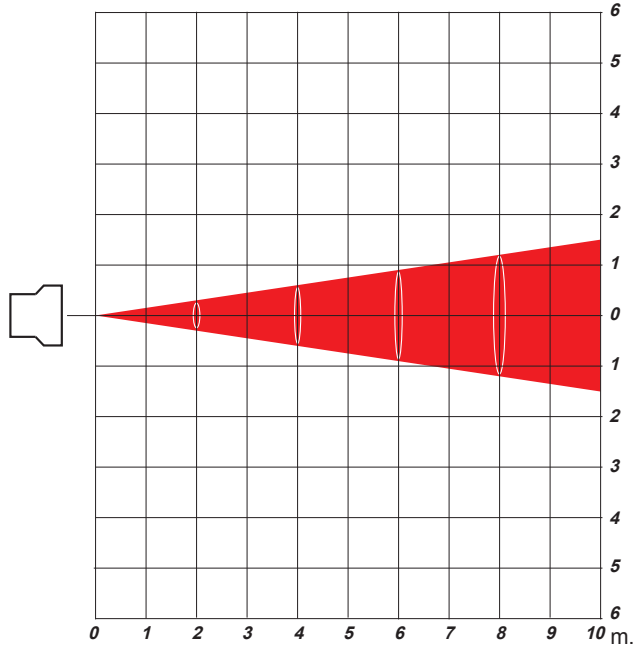
DMX Chart 4 Channels	
channel	effect
1	Red
2	Green
3	Blue
4	White

DMX Chart 8 Channels	
channel	effect
1	Master dimmer
2	Red
3	Green
4	Blue
5	White
6	Strobe effect
7	Dimmer fine
8	Special functions

DMX Chart 1 Channels	
channel	effect
1	Master dimmer (color temperature settable by display)

Profile 17°/38° Zoom min.

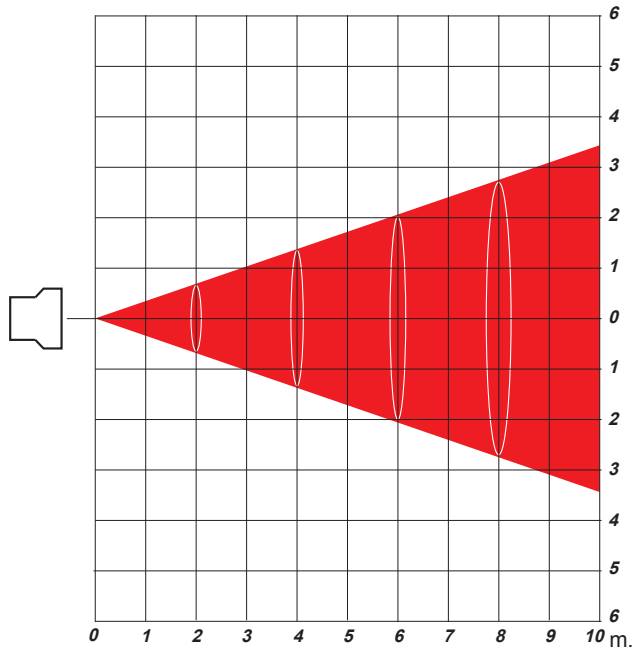
Distance (m.)	1	2	3	4	5	6	7	8	9	10
FULL	83750	20938	9306	5234	3350	2326	1709	1309	1034	838
RED	15250	3813	1694	953	610	424	311	238	188	153
GREEN	32500	8125	3611	2031	1300	903	663	508	401	325
BLUE	4325	1081	481	270	173	120	88	68	53	43
WHITE	40875	10219	4542	2555	1635	1135	834	639	505	409
∅ (m.)	0.30	0.60	0.90	1.20	1.49	1.79	2.09	2.39	2.69	2.99



Angle: 17°

Profile 17°/38°- Zoom max.

Distance (m.)	1	2	3	4	5	6	7	8	9	10
FULL	17500	4375	1944	1094	700	486	357	273	216	175
RED	2950	738	328	184	118	82	60	46	36	30
GREEN	6875	1719	764	430	275	191	140	107	85	69
BLUE	900	225	100	56	36	25	18	14	11	9
WHITE	8750	2188	972	547	350	243	179	137	108	88
∅ (m.)	0.69	1.38	2.07	2.75	3.44	4.13	4.82	5.51	6.20	6.89



Angle: 38°



Coemar Lighting Srl
Via Carpenedolo, 90
46043 Castiglione delle Stiviere
Mantova - Italy
ph. +39 0376 1514412
fax. +39 0376 1514380

info@coemar.com
www.coemar.com