

Technical Brochure

REFLECTION
EDKO™ EXT T

Reflection Series



Reflection LEDko EXT T

KEY FEATURES

- 200 W LED light source
- Thick aluminum, long lasting light source in long lasting body
- No maintenance required
- Profile Zoom 14° - 35°



Reflection LEDko EXT T

SPECIFICATIONS

Fixed white color temperature 3200 K

Four blade framing system, each shutter blade is adjustable for radial position and angle

Internal gobo holder

Electronic 16 bit dimming with 2 selectable curves, simulating halogen or discharge lamp based fixtures

Synchronized, random or pulse electronic strobe

Flicker-free operation with LEDs frequency controlled via DMX from 600 Hz to 19000 Hz

Fan setting with 2 different options (Auto, Silent)

Weatherproof rating IP65

Profile zoom 14° - 35°

PHYSICAL SIZE

Length: 658 mm (25.9 in)

Width: 252.6 mm (9.94 in)

Height: 248 mm (7.0 in)

Height with bracket: 405 mm (15.94 in)

Weight: 16.0 Kg (35.2 lbs)

LIGHT SOURCE

Modular 200 W COB LED

LEDs life: 20000 hours at 70% lumen intensity maintenance

CONTROL PROTOCOL AND PROGRAMMING

USITT DMX512A

Setting, addressing, testing and measurements via LEDs display

DMX channel: 5/1

RDM

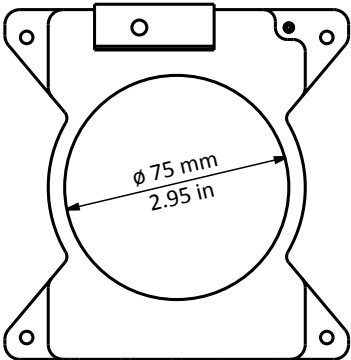
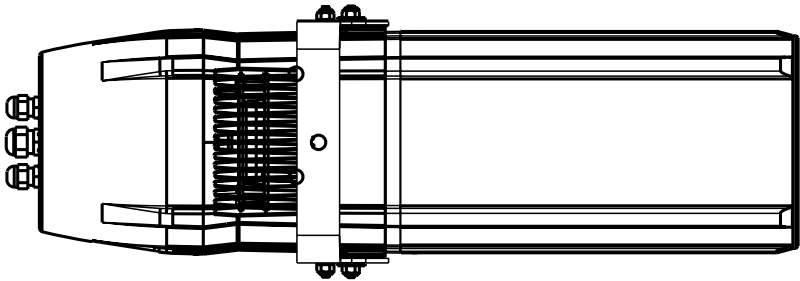
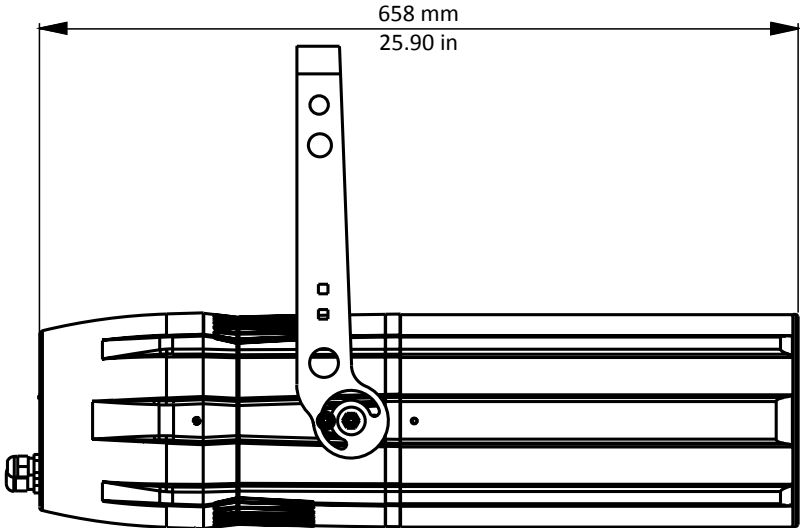
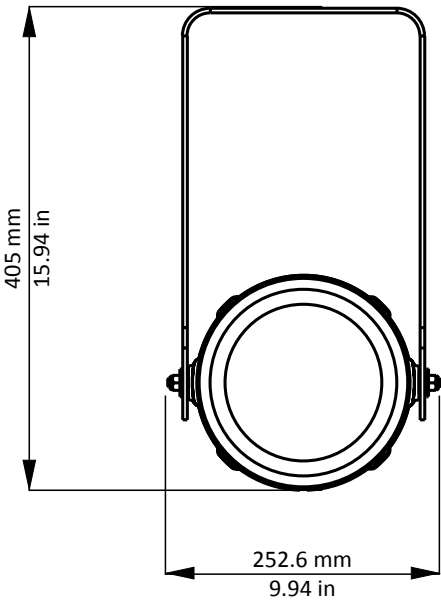
ELECTRICAL SPECIFICATIONS/CONNECTIONS

AC power: 90-230V, auto sensing, 50/60 Hz

Internal cable without power plug

Power consumption: 1 A at 230 V, 2.6 A at 90 V - $\cos\phi$ 0,9

DMX data in/out: 5 pin locking XLR



Gobo holder

DMX Chart 5 Channels	
channel	effect
1	Master dimmer
2	Spare channel
3	Dimmer fine
4	Strobe
5	Special functions

DMX Chart 1 Channels	
channel	effect
1	Master dimmer



Coemar Lighting Srl
Via Carpenedolo, 90
46043 Castiglione delle Stiviere
Mantova - Italy
ph. +39 0376 1514412
fax. +39 0376 1514380

info@coemar.com
www.coemar.com