



C4

Product code: PC07012

KEY FEATURES

- Powerful and compact strobe 3500W
- Continuous strobe/blinding effect with auto-fade
- Pre-programmed effect synchronized via DMX
- Linear dimmer



SPECIFICATIONS

- Variable luminous intensity
- Strobe rate: 0-25 flash/second
- Electronic control of the cooling system
- Aluminium reflector
- Tempered frontal glass
- Aluminium extruded and steel body

LIGHT SOURCE

- Heimman EG9902-1

PHYSICAL SIZE

- Length: 185 mm (7.3 in)
- Width: 540 mm (21.3 in)
- Height with bracket: 310 mm (21.2 in)
- Weight: 7 Kg (15.4 lbs)

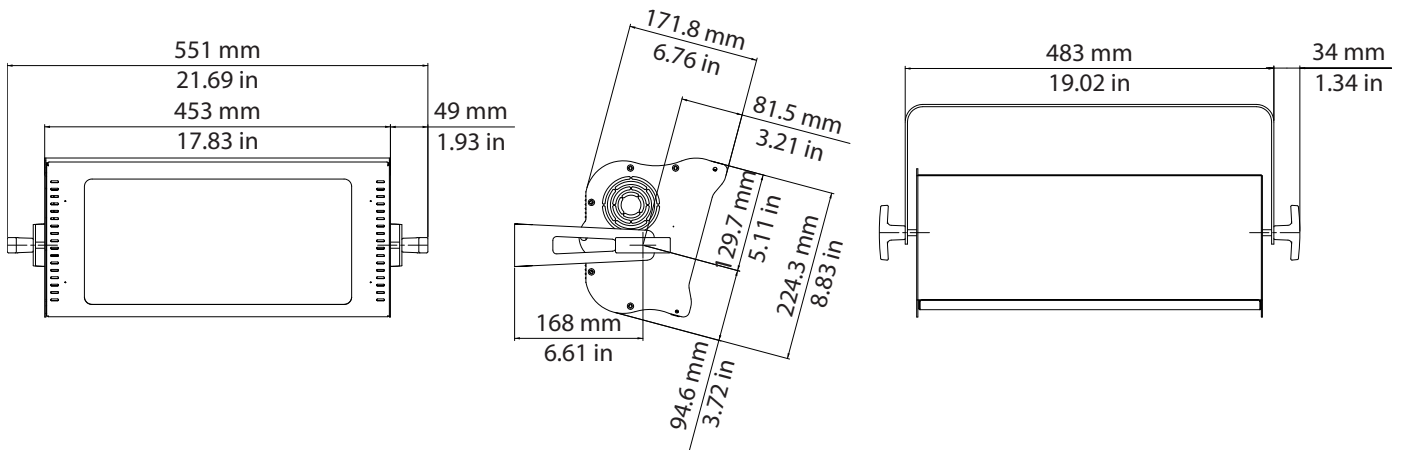
CONTROL PROTOCOL AND PROGRAMMING

- USITT DMX512/1990
- DMX Channels: 4/3/2
- DMX setting with dip switch
- Pre-programmed internal effects

ELECTRICAL SPECIFICATIONS AND CONNECTIONS

- AC power: 200-240 V, auto sensing, 50/60 Hz, 2 m (6.6 ft) free cable
- Typical current consumption: 8 A at 230 V
- Peak current consumption: 20 A at 230 V
- DMX data in/out: XLR 3 M/F

DRAWING SIZE



DMX CHARTS

4 channels	
1	master dimmer
2	flash length
3	speed frequency flash rate
4	effects

3 channels	
1	master dimmer
2	flash length
3	speed frequency flash rate

2 channels	
1	flash length
2	speed frequency flash rate