



# Infinity Spot S

Product code: PC09143

## KEY FEATURES

- Bright as 575 W fixture, in a package half the size
- Replace both 575 and 250 spot fixtures with one fully equipped moving light
- Space, weight, power saving
- Amazing zoom range from 30° down to 9°
- Silent operation for the quietest applications
- Iris and all other professional features
- Rotating and indexing prism effects



## SPECIFICATIONS

- CMY color mixing
- 5 colors + open
- CTO filter
- 1 aerial wheel, 7 gobos + open
- 1 break-up wheel, 7 gobos + open
- 3 rotating prisms
- Focus
- Proportional zoom 9° - 30°
- Iris
- Dimmer
- Mechanical and electronic strobe (zap effect), synchronized, random, pulse effect
- Modular design for easy maintenance and servicing
- Pan 540°, Tilt 284°, 16 bit

## LIGHT SOURCE

- Type: Philips MSR Gold 300/2 FastFit
- Color temperature: 7700 Kelvin
- Color rendering index: 75
- Average lamp life: 750 hours
- Socket: PGJX28
- Electronic ballast with Power Factor Correction

## PHYSICAL SIZE

- Length: 459 mm (18.1 in)
- Width: 377 mm (14.8 in)
- Height: 602 mm (23.7 in), head straight up
- Weight: 23.5 kg (51.8 lbs)

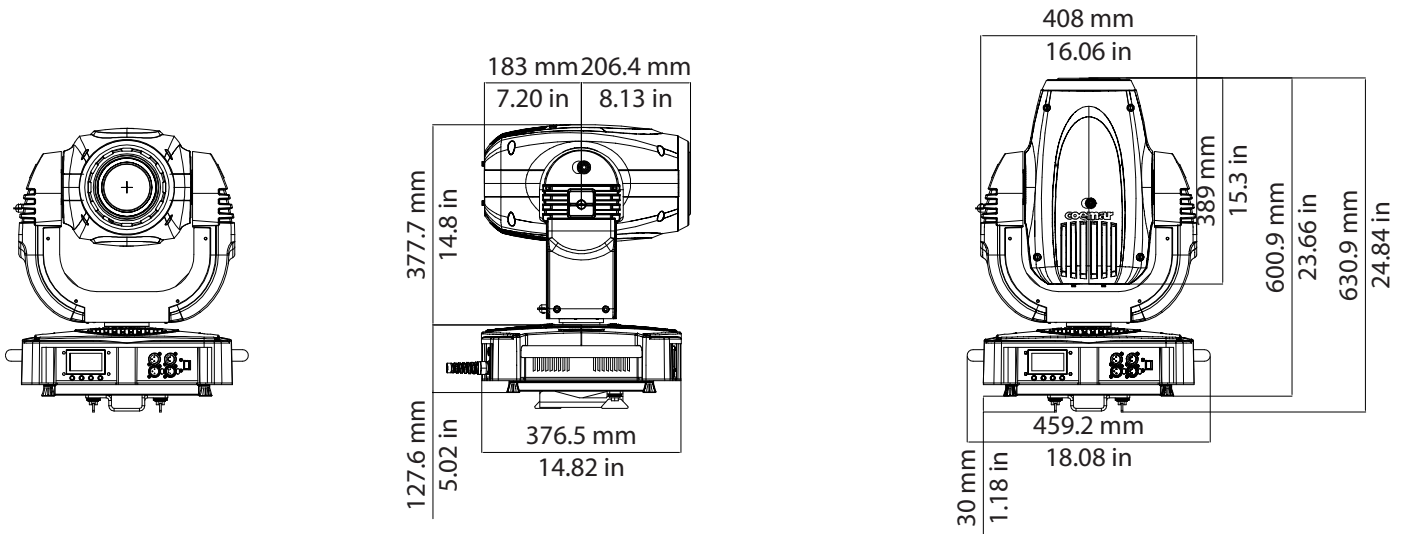
## CONTROL PROTOCOL AND PROGRAMMING

- USITT DMX512/1990
- Artnet, Artnet to DMX converter
- DMX channels: 24/23
- Setting and addressing: LCD display or remotely

## ELECTRICAL SPECIFICATIONS AND CONNECTIONS

- AC power: 90-250 V, auto sensing, 50/60 Hz, 2m (6.6 ft) integral cable without power plug
- Power consumption: 2 A at 230 V, 4.4 A at 115 V
- DMX data in/out: 3 pin and 5 pin locking XLR
- Ethernet RJ45 port

## DRAWING SIZE



## DMX CHARTS

24 channels (16 bit)	
1	x axis, base movement (pan) coarse
2	x axis, base movement (pan) fine
3	y axis, yoke movement (tilt) coarse
4	y axis, yoke movement (tilt) fine
5	movement speed
6	dimmer
7	strobe, shutter and zap effect
8	iris diaphragm (LIN-linear)
8	iris diaphragm (with internal PULS effect)
Note 1: the iris diaphragm operation will vary according to the selection made for IRIS on the display panel (lienar LIN or with internal PULS effect)	
9	zoom
10	focus
11	aerial gobo selection (standard)
11	aerial gobo selection (effect activated from channel 23/22)
Note 2: gobo selection movement will vary according to the selection made for channel 23 (16 bit) / 22 (8 bit)	
12	indexing gobo rotation through 360°
13	fine index of the gobos 16 bit
14	gobo rotation
Note 3: when channel 12 is set to a level between 0 and 10, gobo rotation (channel 14, 16 bit and channel 13, 8 bit) does not effect indexing, the gobo stops instantly	

15	beak up gobo selection (standard)
15	beak up gobo selection (effect activated from channel 23/22)
Note 4: gobo selection movement will vary according to the selection made for channel 23 (16 bit) / 22 (8 bit)	
16	effect selection
17	effect index-rotation through 360°
18	color wheel selection
19	cyan
20	magenta
21	yellow
22	zap effect (effect varies depending upon channel 7 strobe)
22	halogen dimmer curve (effect varies depending upon channel 6 dimmer)
Note 5: when using halogen lamp, channel 22 (16 bit) / 21 (8 bit), allow the selection of the curve which can be a combination of the characteristic dimming lamp and/or mechanical dimmer	
23	gobo effect selection
24	lamp on/off and motors reset
Note 6: the display panel may be used to disable the switching off of the lamp via DMX	
Note 7: turning off the lamp and all reset functions are delayed by 6 seconds to prevent accidental activation	
Note 8: the lamp on/off function can only be effected if an opposite level is set	

23 channels (8 bit)	
1	x axis, base movement (pan) coarse
2	x axis, base movement (pan) fine
3	y axis, yoke movement (tilt) coarse
4	y axis, yoke movement (tilt) fine
5	movement speed
6	dimmer
7	strobe, shutter and zap effect
7	strobe, shutter-profile
Note 1: channel 7 will vary according to the selection made for channel 22 (16 bit) / 21 (8 bit)	
8	iris diaphragm (LIN-Linear)
8	iris diaphragm (with internal PUL effect)
Note 2: the iris diaphragm operation will vary according to the selection made for IRIS on the display panel (linear LIN or with internal PULS effect)	
9	zoom
10	focus
11	aerial gobo selection (standard)
11	aerial gobo selection 11 (effect activated from channel 23/22)
Note 3: channel 11 will vary according to the selection made for channel 23 (16 bit) / 22 (8 bit)	

12	indexing gobo rotation through 360°
13	gobo rotation
Note 4: when channel 12 is set to a level between 0 and 10, gobo rotation does not effect indexing, the gobo stops instantly	
14	break up gobo selection (standard)
14	break up gobo selection (effect activated from channel 23/22)
16	zap effect (effect varies depending upon channel 7 strobe)
17	gobo effect selection
18	lamp on/off and motors reset
Note 5: the display panel may be used to disable the switching off of the lamp via DMX	
Note 6: turning off the lamp and all reset functions are delayed by 6 seconds to prevent accidental activation	
Note 7: the lamp on/off function can only be effected if an opposite level is set	

## PHOTOMETRIC DATA

The Infinity S Photometric Data may be downloaded from [www.coemar.com](http://www.coemar.com).