



# LEDko Basic

Product code: T CRI 80 - F038E000A / T CRI 90 - F038C000A  
D CRI 80 - F038F000A / D CRI 90 - F038D000A

## KEY FEATURES

- Light source: Tungsten or Daylight LEDs
- Soft profiling thanks to Fresnel and PC optics (Coemar patent)
- Instantly create gobos from any standard printer
- Available and/or compatible with various standard optics and accessories
- Flicker-free operation
- No maintenance required



## SPECIFICATIONS

- Fixed white color temperature 3200 K or 5600 K
- Four blade framing system, each shutter blade is adjustable for radial position and angle
- Flicker-free
- CE approved
- Weatherproof rating IP 20

## LIGHT SOURCE

- Modular COB LED - CRI 80 or CRI 90
- LEDs life: 20.000 hours at 70% lumen intensity maintenance

## PHYSICAL SIZE

- Length: 362 mm (14.2 in)
- Length with optico Soft Profile Fresnel: 601 mm (23.6 in)
- Height: 189 mm (7.4 in)
- Height with bracket: 372 mm (14.6 in)
- Width: 212 mm (8.3 in)
- Weight: 5.8 kg (12.8 lbs)
- Weight with optic Soft Profile Fresnel: 8.3 Kg (18.3 lbs)

## CONTROL PROTOCOL AND PROGRAMMING

- On/Off, dimmable via on-board potentiometer

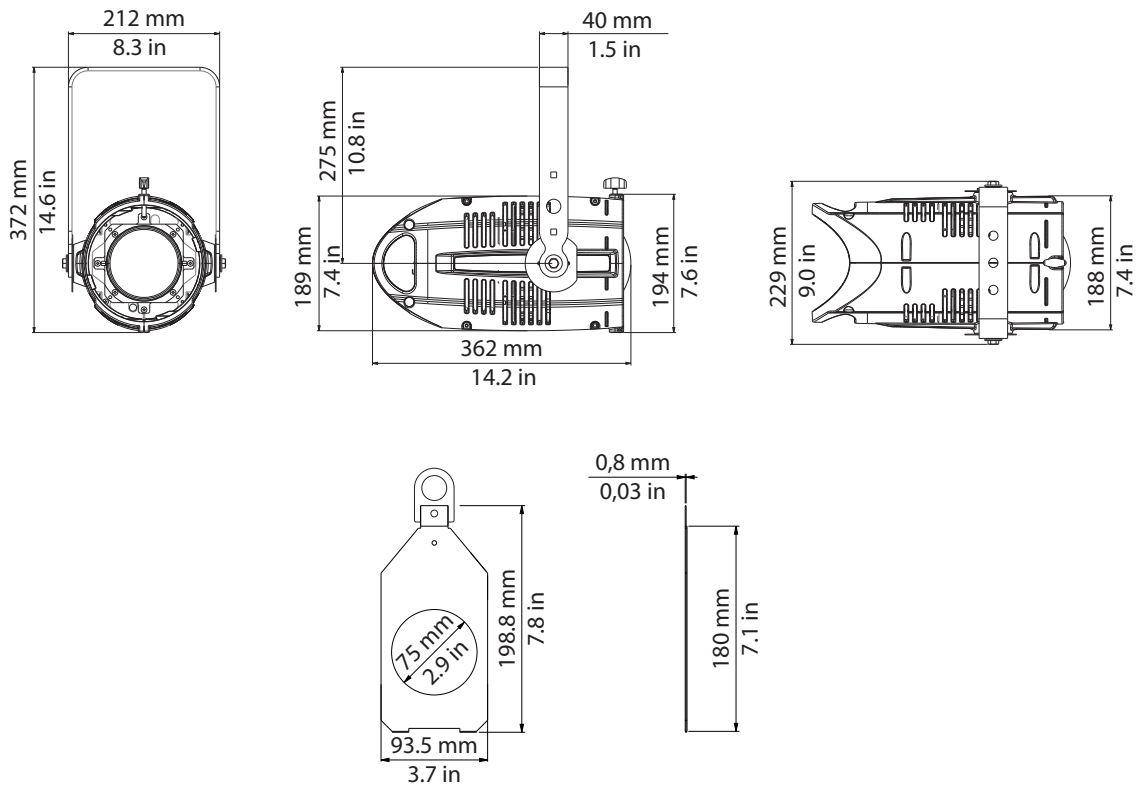
## ELECTRICAL SPECIFICATIONS AND CONNECTIONS

- AC power: 90-230 V, auto sensing, 50/60 Hz
- In power connector IEC
- Max power consumption: 140 W
- Power consumption: 0.6 A @ 230 VaC, 1.6 A @ 90 VaC -  $\cos\phi$  0.96

## ACCESSORIES

- Gobo holder
- Colour frame
- Iris
- 4-leaf barndoor
- Flight case
- Optics: Profile/Soft Profile, various angles available

## DRAWING SIZE



## PHOTOMETRIC DATA

The LEDko Photometric Data may be downloaded from [www.coemar.com](http://www.coemar.com).

## ACCESSORIES

### Optics

Code	Description
BC10011A017	Profile Zoom 15°-35°
BC10011A019	Profile Zoom 25°-50°
BC10011A003	Profile Zoom 28°-40°
BC10011A002	Soft Profile Fresnel Zoom 14° - 40°
BC10011A001	Soft Profile PC Zoom 11° - 38°
BC10011A200	Front barrel with burnished blades
BC10011A041*	Profile 5°, Lens Tube
BC10011A042*	Profile 10°, Lens Tube
BC10011A023*	Profile 14°, Lens Tube
BC10011A012*	Profile 19°, Lens Tube
BC10011A013*	Profile 26°, Lens Tube
BC10011A015*	Profile 36°, Lens Tube
BC10011A016*	Profile 50°, Lens Tube
BC10011A024*	Profile 70°, Lens Tube
BC10011A025*	Profile 90°, Lens Tube

### Accessories for Profile Zoom

Code	Description
BC10011A028	Donut (190.5 mm)
BC10011A027	Half Top Hat (190.5 mm)
BC10011A029	Top Hat (190.5 mm)
BC10011A040	Color frame holder (190.5 mm)

### Accessories for Soft Profile

Code	Description
BC10011A036	Donut (185 mm)
BC10011A035	Half Top Hat (185 mm)
BC10011A037	Top Hat (185 mm)
ACO4204	Color Frame Holder (185 mm)

### Accessories for Lens Tube

Code	Description
BC10011A036	Donut (159 mm)
BC10011A035	Half Top Hat (159 mm)
BC10011A037	Top Hat (159 mm)
BC10011A021	Color Frame Holder (159 mm)

### General accessories

Code	Description
ACO4202	4 leaf barndoor
BC10011A006	Magnetic gobo holder
BC10011A106	Metal gobo holder
BC10011A030	Gobo holder for glass gobo
BC10011A010	Iris
BC10011A049	Gobo holder for iris slot
BC10011A047	Hook Clamp, 48 - 51 mm (Safe Working Load 20 Kg.)
BC10011A045	Light Clamp silver, 48 - 51 mm (Safe Working Load 75 Kg.)
BC10011A046	Light Clamp black, 48 - 51 mm (Safe Working Load 75 Kg.)
BC10011A043	Clamp silver flat 13 - 30 mm / ø 15 - 50 mm (Safe Working Load: 20 Kg.)
BC10011A044	Clamp black flat 13 - 30 mm / ø 15 - 50 mm (Safe Working Load 20 Kg.)