



LEDko DIM

Product code: T CRI 90 - F035C000A / D CRI 90 - F035D000A

KEY FEATURES

- Light source: Tungsten or Daylight LEDs
- Powered directly through standard Power Dimming Units
- Superior flat field optics
- Fixed 3200 or 5600 K white light output at its best
- Soft/hard edge profile
- Instantly create gobos from any standard printer
- Available and/or compatible with various standard optics and accessories
- Flicker-free operation
- No maintenance required



SPECIFICATIONS

- Fixed white color temperature 3200 K or 5600 K
- Four blade framing system, each shutter blade is adjustable for radial position and angle
- Electronic 16 bit dimming with 2 selectable curves, simulating halogen or discharge lamp based fixtures
- Synchronized, random or pulse electronic strobe
- Flicker-free operation with LEDs frequency controlled via DMX from 600 Hz to 19000 Hz
- Fan setting with 3 different options (low, auto, DMX regulated)
- CE, ETL, UL approved
- Weatherproof rating IP 20

LIGHT SOURCE

- Modular COB LED - CRI 90
- LEDs life: 20.000 hours at 70% lumen intensity maintenance

PHYSICAL SIZE

- Length: 362 mm (14.2 in)
- Length with optico Soft Profile Fresnel: 601 mm (23.6 in)
- Height: 189 mm (7.4 in)
- Height with bracket: 372 mm (14.6 in)
- Width: 212 mm (8.3 in)
- Weight: 5.8 kg (12.8 lbs)
- Weight with optic Soft Profile Fresnel: 8.3 Kg (18.3 lbs)

CONTROL PROTOCOL AND PROGRAMMING

- Dimming controlled via standard external power dimming unit or with potentiometer knob
- USITT DMX512A
- DMX Channels: 5/1
- Setting, addressing, testing and measurements via LEDs display
- Remote Device Mangement (RDM)

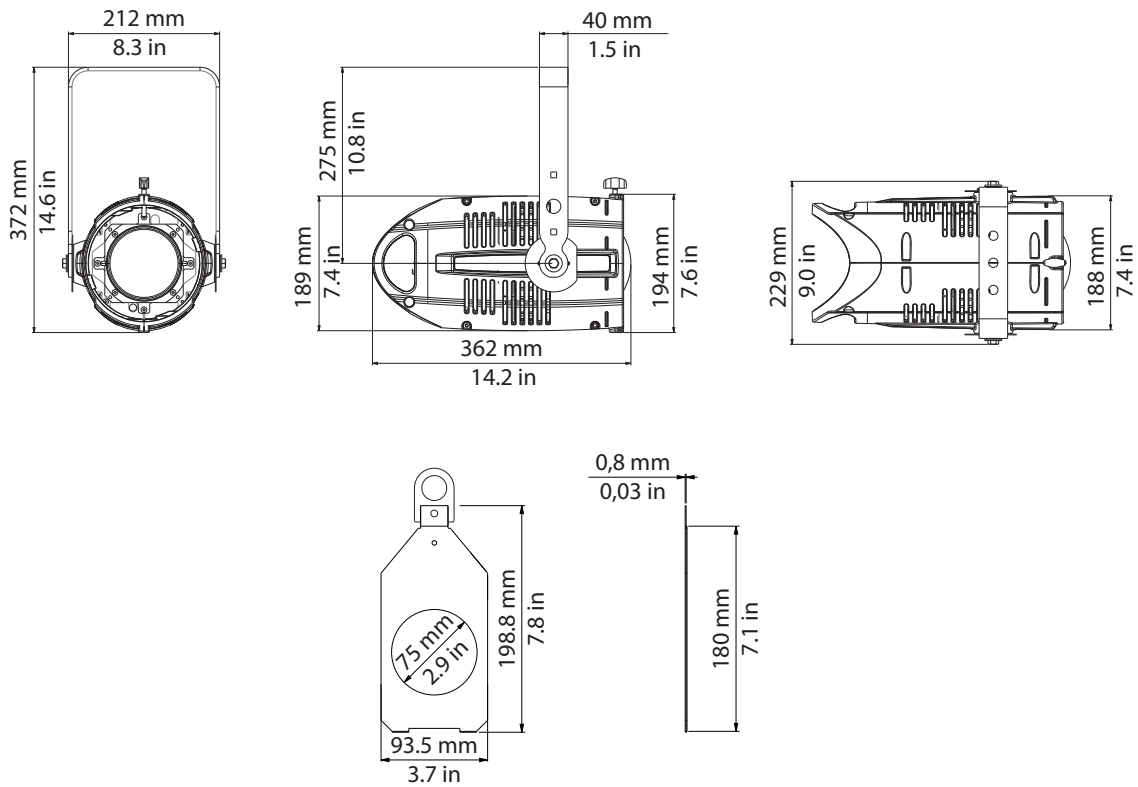
ELECTRICAL SPECIFICATIONS AND CONNECTIONS

- AC power: 90-230 V, auto sensing, 50/60 Hz
- In and Out PowerCon connectors to feed up to 8 (at 230 VAC) or 4 (90 VAC)
- Max power consumption: 200 W
- Power consumption: 0.88 A at 230 V, 2.25 A at 90 V - $\cos\phi$ 0,95
- DMX data in/out: 5 pin locking XLR

ACCESSORIES

- Gobo holder
- Colour frame
- Iris
- 4-leaf barndoor
- Flight case
- Optics: Profile/Soft Profile, various angles available

DRAWING SIZE



DMX CHARTS

| 5 channels | |
|------------|------------------|
| 1 | master dimmer |
| 2 | spare channel |
| 3 | dimmer fine |
| 4 | strobe |
| 5 | special function |

| 1 channel | |
|-----------|---------------|
| 1 | master dimmer |

PHOTOMETRIC DATA

The LEDko Photometric Data may be downloaded from www.coemar.com.

ACCESSORIES

Optics

| Code | Description |
|--------------|-------------------------------------|
| BC10011A017 | Profile Zoom 15°-35° |
| BC10011A019 | Profile Zoom 25°-50° |
| BC10011A003 | Profile Zoom 28°-40° |
| BC10011A002 | Soft Profile Fresnel Zoom 14° - 40° |
| BC10011A001 | Soft Profile PC Zoom 11° - 38° |
| BC10011A200 | Front barrel with burnished blades |
| BC10011A041* | Profile 5°, Lens Tube |
| BC10011A042* | Profile 10°, Lens Tube |
| BC10011A023* | Profile 14°, Lens Tube |
| BC10011A012* | Profile 19°, Lens Tube |
| BC10011A013* | Profile 26°, Lens Tube |
| BC10011A015* | Profile 36°, Lens Tube |
| BC10011A016* | Profile 50°, Lens Tube |
| BC10011A024* | Profile 70°, Lens Tube |
| BC10011A025* | Profile 90°, Lens Tube |

Accessories for Profile Zoom

| Code | Description |
|-------------|-------------------------------|
| BC10011A028 | Donut (190.5 mm) |
| BC10011A027 | Half Top Hat (190.5 mm) |
| BC10011A029 | Top Hat (190.5 mm) |
| BC10011A040 | Color frame holder (190.5 mm) |

Accessories for Soft Profile

| Code | Description |
|-------------|-----------------------------|
| BC10011A036 | Donut (185 mm) |
| BC10011A035 | Half Top Hat (185 mm) |
| BC10011A037 | Top Hat (185 mm) |
| ACO4204 | Color Frame Holder (185 mm) |

Accessories for Lens Tube

| Code | Description |
|-------------|-----------------------------|
| BC10011A036 | Donut (159 mm) |
| BC10011A035 | Half Top Hat (159 mm) |
| BC10011A037 | Top Hat (159 mm) |
| BC10011A021 | Color Frame Holder (159 mm) |

General accessories

| Code | Description |
|-------------|---|
| ACO4202 | 4 leaf barndoor |
| BC10011A006 | Magnetic gobo holder |
| BC10011A106 | Metal gobo holder |
| BC10011A030 | Gobo holder for glass gobo |
| BC10011A010 | Iris |
| BC10011A049 | Gobo holder for iris slot |
| BC10011A047 | Hook Clamp, 48 - 51 mm (Safe Working Load 20 Kg.) |
| BC10011A045 | Light Clamp silver, 48 - 51 mm (Safe Working Load 75 Kg.) |
| BC10011A046 | Light Clamp black, 48 - 51 mm (Safe Working Load 75 Kg.) |
| BC10011A043 | Clamp silver flat 13 - 30 mm / ø 15 - 50 mm (Safe Working Load: 20 Kg.) |
| BC10011A044 | Clamp black flat 13 - 30 mm / ø 15 - 50 mm (Safe Working Load 20 Kg.) |