



LEDko EXT D

Product code: F029F001A (CRI 80) | F029D001A (CRI 90)

KEY FEATURES

- Light source: modular Tungsten or Daylight COB LED
- IP rating: 65 (weatherproof)
- Thick aluminum, long lasting light source in long lasting body
- No maintenance required
- Profile zoom from 14° to 35°



SPECIFICATIONS

- Fixed white CCT: 5.600 K
- IP rating: 65 (weatherproof)
- Profile zoom from 14° to 35°
- Four blade framing system, each shutter blade is adjustable for radial position and angle
- Internal gobo holder
- Electronic 16 bit dimming with 3 selectable curves (exponential, logarithmic, linear)
- Synchronized, random or pulse electronic strobe
- Flicker-free operation with LEDs frequency controlled via DMX from 600 Hz to 19.000 Hz
- Fan setting with 2 different options (auto, silent)

LIGHT SOURCE

- Modular COB LED Daylight
- Average LED lifetime: a minimum of 80% of the initial luminous flux will be maintained after approx. 50.000 hours of usage (50.000 LM80)

PHYSICAL SIZE

- Length: 687.8 mm (27.07 in)
- Width: 252.6 mm (9.94 in)
- Height: 248 mm (7.0 in)
- Height with bracket: 405 mm (15.94 in)
- Weight: 14.0 Kg (30.8 lbs)

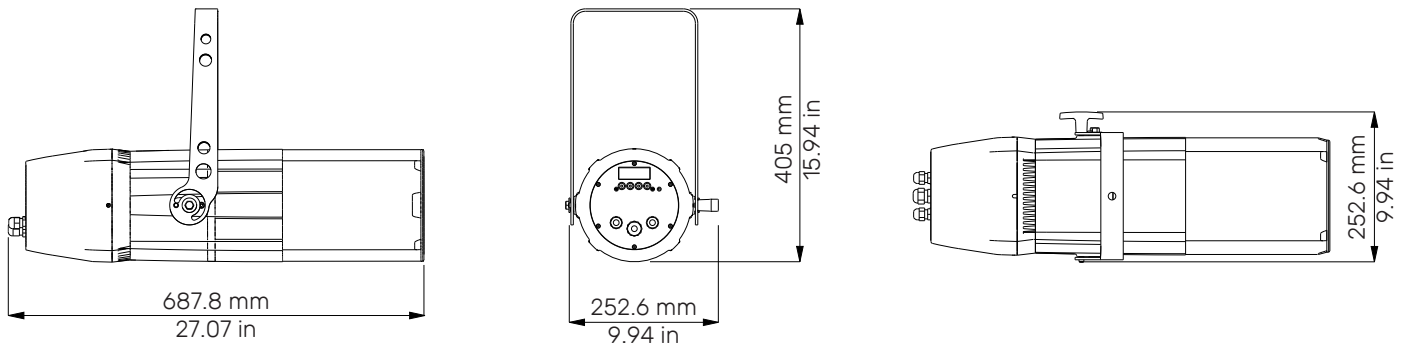
CONTROL PROTOCOL AND PROGRAMMING

- USITT DMX512A
- DMX channel: 5 / 1
- Setting, addressing, testing and measurements via LEDs display
- RDM (Remote Device Management)

ELECTRICAL SPECIFICATIONS AND CONNECTIONS

- AC power: 90-230 V, auto-sensing, 50/60 Hz
- Internal cable without power plug
- Max power consumption: 200 W
- Power consumption: 0.88 A at 230 V, 2.25 A at 90 V - $\cos\phi$ 0.95
- DMX data in/out: 5 pin locking XLR

DRAWING SIZE



DMX CHARTS

5 channels	
1	master dimmer
2	spare channel
3	dimmer fine
4	strobe effect
5	special function

1 channels	
1	master dimmer

PHOTOMETRIC DATA

The LEDko EXT Photometric Data may be downloaded from www.coemar.com.