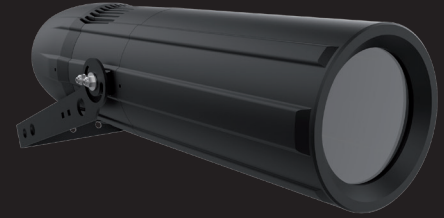


 **LEDko EXT T / D**

KEY FEATURES

- LED profile spot IP 65
- Tungsten or Daylight COB LED (CRI 80 - CRI 90)
- Profile zoom from 14° to 35° or from 10° to 25°
- Four blade framing system and internal gobo holder
- Electronic 16 bit dimming with 3 selectable curves (Exponential, Logarithmic and Linear)
- Fan setting with 2 different options (auto, DMX)
- Guaranteed flicker-free



SPECIFICATIONS

- Fixed white CCT: 3.200 K or 5.600 K
- IP rating: 65 (weatherproof)
- Profile zoom from 14° to 35° or from 10° to 25°
- Four blade framing system, each shutter blade is adjustable for radial position and angle
- Internal gobo holder (standard gobo size B)
- Electronic 16 bit dimming with 3 selectable curves (exponential, logarithmic or linear)
- Synchronized, random or pulse electronic strobe
- Flicker-free operation with LEDs frequency controlled via DMX from 600 to 19.000 Hz
- Fan setting with 2 different options (auto, DMX)
- CE approved

LIGHT SOURCE

- Tungsten or Daylight COB LED (CRI 80 or CRI 90)
- Average LED lifetime: a minimum of 80% of the initial luminous flux will be maintained after approx. 50.000 hours of usage (50.000 LM80)

PHYSICAL SIZE (with 14°-35° Optic)

- Length: 687.8 mm (27.07 in)
- Width: 252.6 mm (9.94 in)
- Height: 185 mm (7.28 in)
- Height with bracket: 405 mm (15.94 in)
- Weight: 14.0 Kg (30.8 lbs)

PHYSICAL SIZE (with 10°-25° Optic)

- Length: 807.7 mm (31.8 in)
- Width: 252.6 mm (9.94 in)
- Height: 185 mm (7.28 in)
- Height with bracket: 405 mm (15.94 in)
- Weight: 15.5 Kg (34.2 lbs)

CONTROL PROTOCOL AND PROGRAMMING

- USITT DMX512A
- DMX channel: 5 / 1
- Setting, addressing, testing and measurements via LEDs display
- RDM (Remote Device Management)

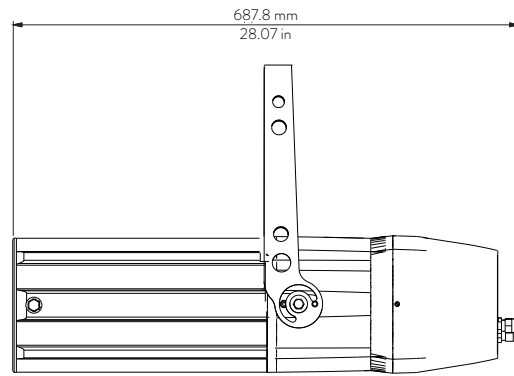
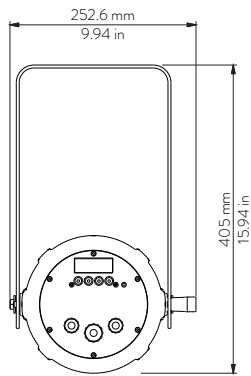
ELECTRICAL SPECIFICATIONS AND CONNECTIONS

- AC power: 85-264 V, auto-sensing, 50/60 Hz
- Internal cable without power plug
- Max power consumption: 200 W
- Power consumption: 0.92 A at 230 V, 1.83 A at 115 V - cosφ 0,95
- DMX data in/out: 5 pin locking XLR

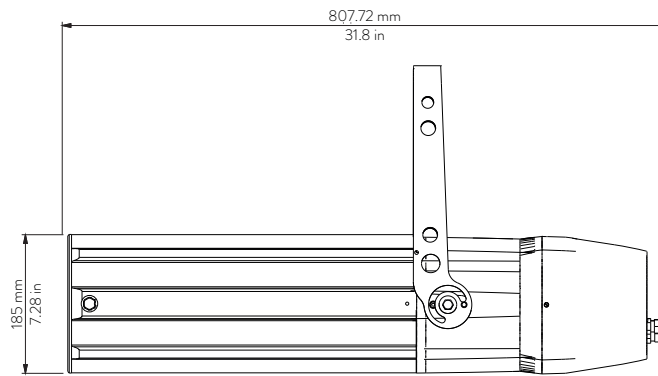
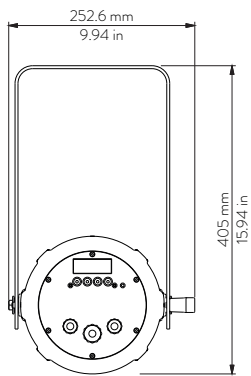
ACCESSORIES

- Frost holder
- Customized gobos

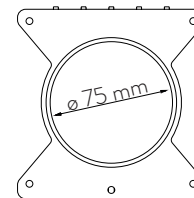
DRAWING SIZE



LEDko EXT with 14°-35° Optic



LEDko EXT with 10°-25° Optic



Internal gobo holder

DMX CHARTS

| 5 channels | |
|------------|------------------|
| 1 | master dimmer |
| 2 | spare channel |
| 3 | dimmer fine |
| 4 | strobe effect |
| 5 | special function |

| 1 channel | |
|-----------|---------------|
| 1 | master dimmer |

PHOTOMETRIC DATA

The LEDko EXT Photometric Data may be downloaded from www.coemar.com.