



# LEDko TM Profile FullSpectrum 6

Product code: F002Q030A

## KEY FEATURES

- Color mixing through 6 colors including high-output lime to achieve true, usable broad-spectrum colour with a depth and feel beyond any RGB fixture
- Green-Magenta adjustment
- 2700 K - 6500 K Continuously Variable Correlated Color Temperature with color rendering index greater than 90 (CRI>90)
- Ultra quiet operation: ideal for low noise applications
- Special 24-blade motorized iris
- Motorized framing system, adjustable over 90°
- Guaranteed Flicker-free operation (DMX controlled frequency)



## SPECIFICATIONS

- Red, Green, Blu, White, Lime, Amber color mixing
- Proportional control of white color temperature from 2700 K to 6500 K
- Zoom from 13° to 38°
- Four blade motorized framing system, each shutter blade is adjustable for radial position and angle, 90° rotation of the entire system
- Green-Magenta adjustment
- Motorized 24-blade Iris
- Electronic 16 bit dimming with 2 selectable curves, simulating halogen or discharge lamp based fixtures
- Synchronized, random or pulse electronic strobe
- Flicker-free operation with LEDs frequency controlled via DMX from 600 Hz to 19000 Hz
- Frost
- Fan setting with 3 different options (low, auto, DMX)
- Pan 540°, Tilt 270°, 16 bit
- Aluminium structure with die-cast plastic cover
- Weatherproof rating IP20

## LIGHT SOURCE

- Modular 250 W RGBW COB LED , CRI > 90
- LEDs life: 20.000 hours at 70% lumen intensity maintenance

## PHYSICAL SIZE

- Length: 459 mm (18 in)
- Width: 378 mm (14.9 in)
- Height (head straight up): 819 mm (32.2 in)
- Weight: 36.0 Kg (79.0 lbs)

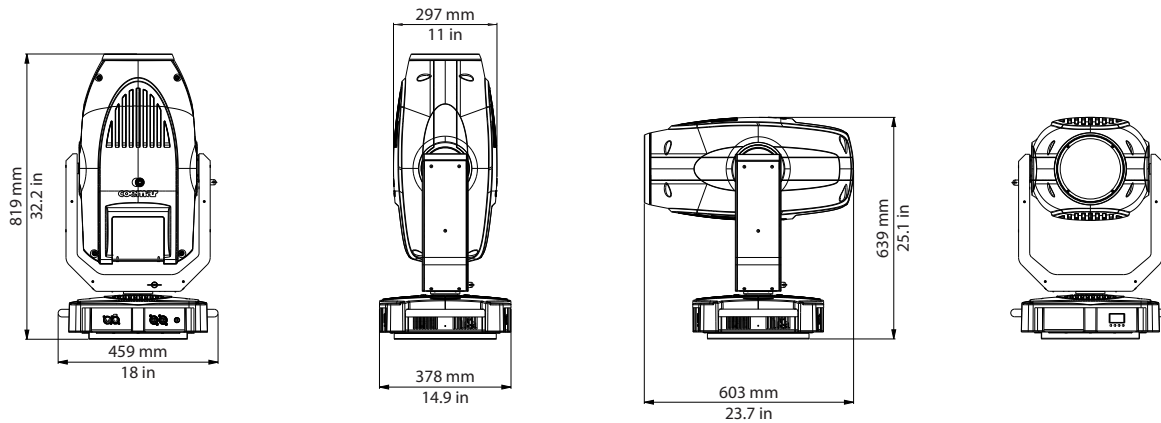
## CONTROL PROTOCOL AND PROGRAMMING

- USITT DMX512A
- Setting, addressing, testing and measurements via LEDs display
- DMX channels: 32

## ELECTRICAL SPECIFICATIONS AND CONNECTIONS

- AC power: 90-240V, auto sensing, 50/60 Hz
- In and Out PowerCon connectors with 2 m (6.6 ft) PowerCon cable without power plug
- Max power consumption: 400 W
- Power consumption: 1.74 A at 230 V - cosφ 0,9
- DMX data in/out: 5 pin locking XLR

## DRAWING SIZE



## DMX CHARTS

32 channels	
1	x axis, base movement (pan) corse
2	x axis, base movement (pan) fine
3	y axis, base movement (tilt) corse
4	y axis, base movement (tilt) fine
5	movement speed
6	master dimmer
7	dimmer fine
8	red
9	green
10	blue
11	white
12	lime
13	amber
14	white tone
15	green saturation
16	strobe
17	iris diaphragm
18	focus
19	zoom
20	plus zoom
21	frost
22	framing shutter 1
23	framing shutter 1 angle
24	framing shutter 2
25	framing shutter 2 angle
26	framing shutter 3
27	framing shutter 3 angle
28	framing shutter 4
29	framing shutter 4 angle
30	framing rotation
31	special function
32	reset, display on/off, autofocus

## PHOTOMETRIC DATA

The LEDko TM Profile Photometric Data may be downloaded from [www.coemar.com](http://www.coemar.com).