



LEDko TM Profile VariWhite

Product code: F002G030A

KEY FEATURES

- Continuously Variable Correlated Color Temperature with color rendering index greater than 90 (CRI>90)
- Ultra quiet operation: ideal for low noise applications
- Special 24-blade motorized iris
- Motorized framing system, adjustable over 90°
- Guaranteed Flicker-free operation (DMX controlled frequency)



SPECIFICATIONS

- Proportional control of white color temperature
- Four blade motorized framing system, each shutter blade is adjustable for radial position and angle, 90° rotation of the entire system
- Motorized 24-blade Iris
- Electronic 16 bit dimming with 2 selectable curves, simulating halogen or discharge lamp based fixtures
- Synchronized, random or pulse electronic strobe
- Flicker-free operation with LEDs frequency controlled via DMX from 600 Hz to 19000 Hz
- Frost
- Fan setting with 3 different options (low, auto, DMX)
- Pan 540°, Tilt 270°, 16 bit
- Aluminium structure with die-cast plastic cover

LIGHT SOURCE

- Modular 200 W COB LED , CRI > 90
- LEDs life: 20.000 hours at 70% lumen intensity maintenance

PHYSICAL SIZE

- Length: 459 mm (18 in)
- Width: 378 mm (14.9 in)
- Height (head straight up): 819 mm (32.2 in)
- Weight: 36.0 Kg (79.0 lbs)

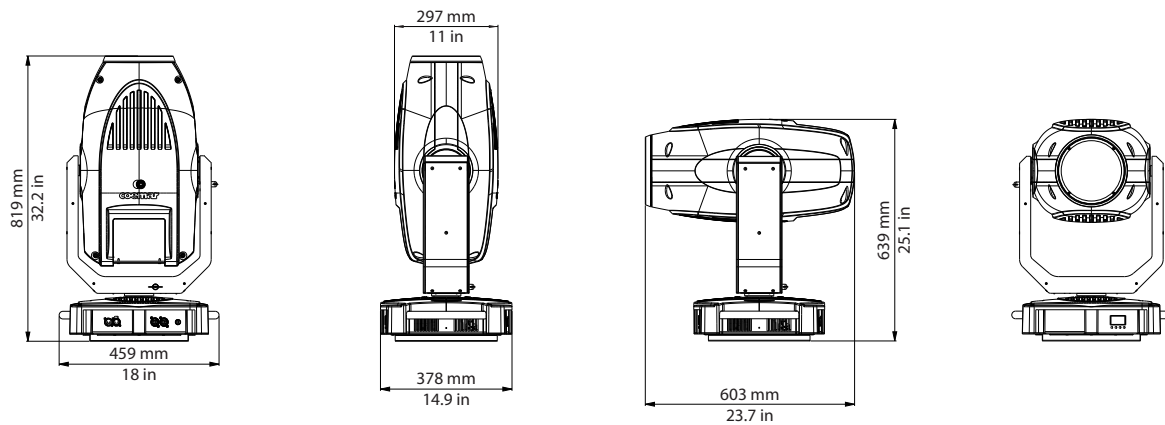
CONTROL PROTOCOL AND PROGRAMMING

- USITT DMX512A
- Setting, addressing, testing and measurements via LEDs display
- DMX channels: 25

ELECTRICAL SPECIFICATIONS AND CONNECTIONS

- AC power: 90-240V, auto sensing, 50/60 Hz
- In and Out PowerCon connectors with 2 m (6.6 ft) PowerCon cable without power plug
- Max power consumption: 400 W
- Power consumption: 1 A at 230 V, 2.55 at 90 V - $\cos\phi$ 0,9
- DMX data in/out: 5 pin locking XLR

DRAWING SIZE



DMX CHARTS

25 channels	
1	x axis, base movement (pan) coarse
2	x axis, base movement (pan) fine
3	y axis, base movement (tilt) coarse
4	y axis, base movement (tilt) fine
5	movement speed
6	master dimmer
7	tunable white
8	strobe
9	iris diaphragm (LIN-linear)
9	iris diaphragm (with internal PULS effect)
10	focus
11	zoom
12	framing shutter 1
13	framing shutter 1 angle
14	framing shutter 2
15	framing shutter 2 angle
16	framing shutter 3
17	framing shutter 3 angle
18	framing shutter 4
19	framing shutter 4 angle
20	framing rotation
21	step zoom
22	frost
23	spare channel
24	special function
25	reset, display on/off, autofocus