



# ParLite Led ACL

Product code: Tungsten - F071E000R / Daylight - F071F000R



## KEY FEATURES

- Available with a different LED source: Tungsten or Daylight
- Ultra narrow beam (4° lenses)
- Compact lighting fixture with aluminum body (black, silver or customized)
- Double yoke for stage or truss fixing
- Convection cooled, no fans, ideal for broadcast and theatre installation
- Designed for high-end installation indoor (IP20) and outdoor (IP65)
- Available with either a manual or pole operated yoke

## SPECIFICATIONS

- 4° sharp beam angle
- Incredible light output
- Total power consumption only 49 W
- Thick aluminum, long lasting light source in long lasting body
- Smart build "Quick Stand" tucked into yoke
- No fan, no maintenance, no noise
- IP rating: 20 or 65

## LIGHT SOURCE

- 12 LEDs Cree
- LEDs life: 20.000 hours at 70% lumen intensity maintenance

## PHYSICAL SIZE

- Length: 211 mm (8.3 in)
- Width: 182 mm (7.1 in)
- Height: 267 mm (10.5 in)
- Weight: 3.5 kg (7.7 lbs)

## CONTROL PROTOCOL AND PROGRAMMING

- USITT DMX512
- DMX channels: 6 / 1
- Setting, addressing, testing and measurements via LEDs display
- Remote Device Management (RDM)

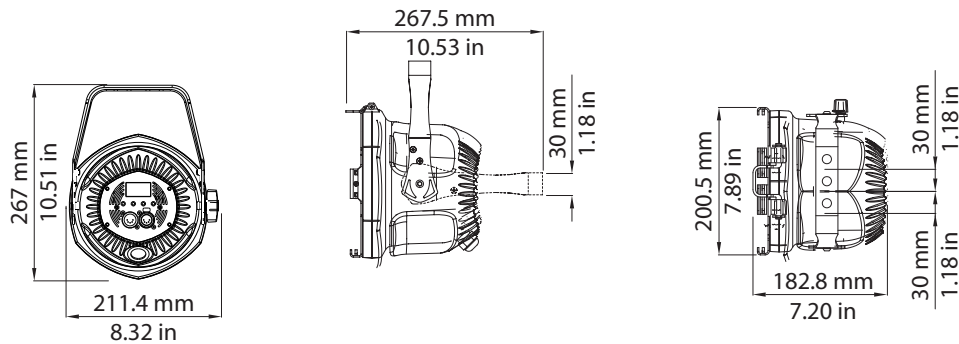
## ELECTRICAL SPECIFICATIONS AND CONNECTIONS

- AC power: 100-250 V, auto sensing, 50/60 Hz, 2 m (6.6 ft) integral cable without power plug
- Power consumption: 0.53 A at 230 V, 1.55 A at 90 V - cosφ 0.4
- DMX data in/out: 5 pin locking XLR

## ACCESSORIES

- Support color frame holder
- (black: #10007A001, silver: # 10007A002)
- Frame for internal frost filter (# 9169)
- Frame for external frost filter (# 9169/1)
- 4 leaf barndoor (# 9164)
- IP65 rear panel (black: # 08E, silver: silver #08/1E)

## DRAWING SIZE



## PHOTOMETRIC DATA

The ParLite ACL Photometric Data may be downloaded from [www.coemar.com](http://www.coemar.com).

## ACCESSORIES

Code	Description
BC10007A001	Support color frame holder black
BC10007A002	Support color frame holder silver
PC09164	4 leaf barndoor
PC09167/1	12° lens kit
PC09169	Frame for internal frost filter
PC09169/1	Frame for external frost filter
GPAN08/1E	Rear panel black
GPAN08E	Rear panel silver
BC10007A007	Egg crate louvers