



ParLite Led ACL T

Product code: F071E000R



KEY FEATURES

- Light source: 12 LEDs Cree Tungsten
- Ultra narrow beam (4° lenses)
- Compact lighting fixture with aluminum body (black, silver or customized)
- Double yoke for stage or truss fixing
- Convection cooled, no fans, ideal for broadcast and theatre installation
- Designed for high-end installation indoor (IP 20) and outdoor (IP 65)
- Available with either a manual or pole operated yoke

SPECIFICATIONS

- Fixed white CCT: 3.200 K
- 4° sharp beam angle
- Incredible light output
- Total power consumption only 50 W
- Thick aluminum, long lasting light source in long lasting body
- Smart build "Quick Stand" tucked into yoke
- No fan, no maintenance, no noise
- IP rating: 20 or 65 (weatherproof)

LIGHT SOURCE

- 12 LEDs Cree Tungsten or Daylight
- Average LED lifetime: a minimum of 80% of the initial luminous flux will be maintained after approx. 50.000 hours of usage (50.000 LM80)

PHYSICAL SIZE

- Length: 211.4 mm (8.32 in)
- Width: 182.8 mm (7.20 in)
- Height: 267 mm (10.51 in)
- Weight: 3.5 kg (7.7 lbs)

CONTROL PROTOCOL AND PROGRAMMING

- USITT DMX512A
- DMX channels: 6 / 1
- Setting, addressing, testing and measurements via LEDs display
- RDM (Remote Device Management)

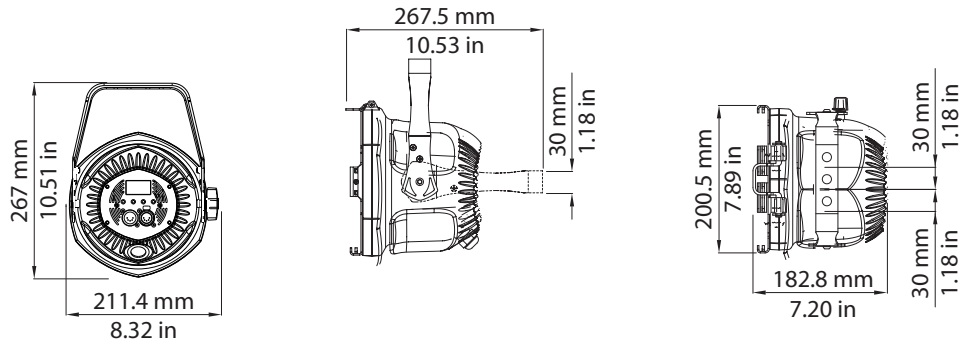
ELECTRICAL SPECIFICATIONS AND CONNECTIONS

- AC power: 100-250 V, auto-sensing, 50/60 Hz, 2 m (6.6 ft) integral cable without power plug
- Max power consumption: 50 W
- Power consumption: 0.53 A at 230 V, 1.55 A at 90 V - $\cos\phi$ 0.4
- DMX data in/out: 5 pin locking XLR

ACCESSORIES

- Support color frame holder (black or silver)
- Frame for internal frost filter
- Frame for external frost filter
- 4 leaf barndoor
- IP 65 rear panel (black or silver)

DRAWING SIZE



PHOTOMETRIC DATA

The ParLite ACL Photometric Data may be downloaded from www.coemar.com.

ACCESSORIES

Code	Description
BC10007A001	Support color frame holder black
BC10007A002	Support color frame holder silver
PC09164	4 leaf barndoor
PC09169	Frame for internal frost filter
PC09169/1	Frame for external frost filter
GPAN08/1E	Rear panel black
GPAN08E	Rear panel silver
BC10007A007	Egg crate louvers