



ParLite Led RGB

Product code: F007I000B

KEY FEATURES

- Ideal digital substitute of the analog par can
- World's #1 truss toner
- 75% to 82% energy saving compared to traditional technology at the same brightness
- Cosmetic design for hi-end installations, only 3 Kg (7 lbs)
- Thick aluminium, long lasting light source in long lasting body
- Variable light projection angles via quick lens change (standard: 12°; optional: 30°, 13°- 40°, 50°, 110°)
- No fan, no maintenance, no noise
- ETL approved
- Internal/External gel frame (standard size for lighting industry)
- Auto-sensing power 90-250 V
- Smart build "Quick Stand" tucked into yoke



SPECIFICATIONS

- RGB color mixing
- Standard lens 12°
- Electronic dimmer (2 different curves selectable)
- Electronic strobe, synchronized, random, pulse effect
- Flicker-free
- ETL approved
- Double yoke for easy ground standing or truss hanging
- Weatherproof rating IP20 (ParLite LED IP20), IP65 (ParLite LED IP65)

LIGHT SOURCE

- 36 LEDs Cree, 12 Red, 12 Green, 12 Blue
- LEDs life: 20.000 hours at 70% lumen intensity maintenance

PHYSICAL SIZE

- Length: 211 mm (8.3 in)
- Width: 182 mm (7.1 in)
- Height: 267 mm (10.5 in)
- Weight: 3.5 kg (7.7 lbs)

CONTROL PROTOCOL AND PROGRAMMING

- USITT DMX512/1990
- DMX channels: 6
- Setting and addressing: binary dip switch or remotely
- 4 internal automatic programs
- Remote Device Management (RDM)

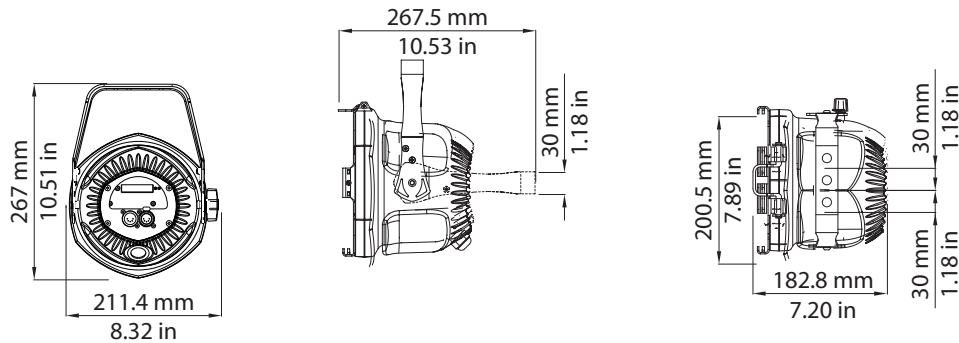
ELECTRICAL SPECIFICATIONS AND CONNECTIONS

- AC power: 90-250 V, auto sensing, 50/60 Hz, 2 m (6.6 ft) integral cable without power plug
- Power consumption: 0.4 A at 230 V, 0.8 A at 115 V - $\cos\phi$ 0.58
- DMX data in/out: 5 pin locking XLR

ACCESSORIES

- 30° lens kit (# 9167)
- 50° lens kit (# 9167/3)
- 40°x 13° elliptical lens kit (# 9167/2)
- 110° flood reflector (# 9168)
- Support color frame holder (black: #10007A001, silver: # 10007A002)
- Frame for internal frost filter (# 9169)
- Frame for external frost filter (# 9169/1)
- 4 leaf barndoor (# 9164)
- IP65 rear panel (black: # 08E, silver: silver #08/1E)

DRAWING SIZE



DMX CHARTS

6 channels	
1	master dimmer
2	red
2 (A)	speed
Note 1: the second function 2 (A) is enabled when channel 6 is active	
3	green
3 (A)	pause
Note 2: the second function 3 (A) is enabled when channel 6 is active	
4	blue
5	strobe
6	automated functions

PHOTOMETRIC DATA

The ParLite Led Photometric Data may be downloaded from www.coemar.com.

ACCESSORIES

Code	Description
BC10007A001	Support color frame holder black
BC10007A002	Support color frame holder silver
PC09164	4 leaf barndoor
PC09167/1	12° lens kit
PC09167	30° lens kit
PC09167/3	50° lens kit
PC09167/2	40° x 13° lens kit
PC09168	110° flood reflector
PC09169	Frame for internal frost filter
PC09169/1	Frame for external frost filter
GPAN22	Rear panel black
GPAN25	Rear panel silver
BC10007A007	Egg crate louvers