



ParLite Led RGBA

Product code: F007M000C

KEY FEATURES

- Dynamic color mixing: always the maximum light intensity at any color
- Guaranteed Flicker-free (DMX controlled PWM frequency)
- No fan, no maintenance, no noise
- Design for high-end installations indoor and outdoor (IP20 or IP65)
- Thick aluminium enclosure to guarantee body resistance in the long term
- Variable beam angles thanks to quickly interchangeable optics (12°, 30°, 13°x 40°, 50°, 110°)



SPECIFICATIONS

- RGBA color mixing (2 mode selectable)
- Dynamic color mixing: variable power in the 4 output channels (RGBA)
- Standard lens 30°
- Electronic dimmer (2 different curves selectable)
- Electronic strobe, synchronized, random, pulse effect
- Flicker-free with LEDs frequency controlled via DMX from 600 Hz to 19000 Hz
- Double yoke for easy ground standing or truss hanging
- Weatherproof rating IP20 or IP65

LIGHT SOURCE

- 36 LEDs Cree, 9 Red, 9 Green, 9 Blue, 9 Amber
- LEDs life: 20.000 hours at 70% lumen intensity maintenance

PHYSICAL SIZE

- Length: 211 mm (8.3 in)
- Width: 182 mm (7.1 in)
- Height: 267 mm (10.5 in)
- Weight: 3.35 Kg (7.4 in)

CONTROL PROTOCOL AND PROGRAMMING

- USITT DMX512
- DMX channels: 8/4
- Setting, addressing, testing and measurements via LEDs display
- 4 internal automatic programs
- Master / Slave mode
- Remote Device Management (RDM)

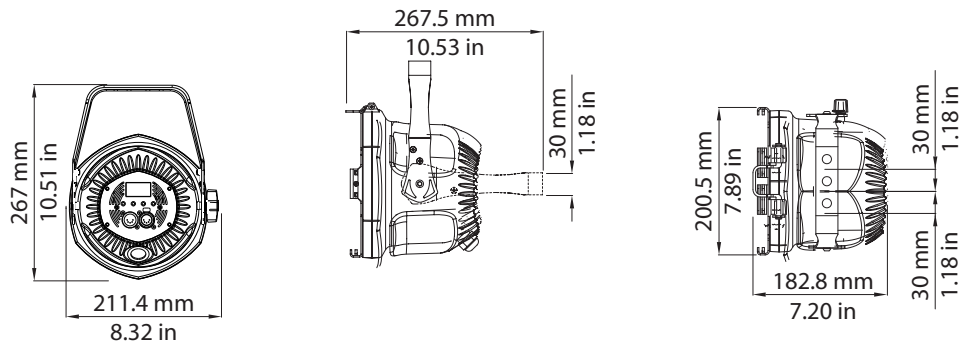
ELECTRICAL SPECIFICATIONS AND CONNECTIONS

- AC power: 100-250 V, auto sensing, 50/60 Hz, 2 m (6.6 ft) integral cable without power plug
- Power consumption: 0.4 A at 230 V, 0.8 A at 115 V - $\cos\phi$ 0.54
- DMX data in/out: 5 pin locking XLR

ACCESSORIES

- 12° lens kit (# 9167/1)
- 50° lens kit (# 9167/3)
- 40°x 13° elliptical lens kit (# 9167/2)
- 110° flood reflector (# 9168)
- Support color frame holder (black: #10007A001, silver: # 10007A002)
- Frame for internal frost filter (# 9169)
- Frame for external frost filter (# 9169/1)
- 4 leaf barndoor (# 9164)
- IP65 rear panel (black: # 08E, silver: silver #08/1E)

DRAWING SIZE



DMX CHARTS

8 channels	
1	master dimmer
2	red
2 (A)	speed
Note 1: channel 2 changes function and becomes 2 (A) when channels 7 is active	
3	green
3 (A)	pause
Note 2: channels 3 changes function and becomes 3 (A) when channels 7 is active	
4	blue
5	amber
6	strobe
7	automated function
8	special function

4 channels	
1	red
2	green
3	blue
4	amber

PHOTOMETRIC DATA

The ParLite Led Photometric Data may be downloaded from www.coemar.com.

ACCESSORIES

Code	Description
BC10007A001	Support color frame holder black
BC10007A002	Support color frame holder silver
PC09164	4 leaf barndoor
PC09167/1	12° lens kit
PC09167	30° lens kit
PC09167/3	50° lens kit
PC09167/2	40° x 13° lens kit
PC09168	110° flood reflector
PC09169	Frame for internal frost filter
PC09169/1	Frame for external frost filter
GPAN22	Rear panel black
GPAN25	Rear panel silver
BC10007A007	Egg crate louvers