



ParLite Led RGBA

Product code: F007M000C

KEY FEATURES

- Dynamic color mixing: always the maximum light intensity at any color
- Variable beam angles thank to quickly interchangeable optics (12°, 30°, 13° x 40°, 50°, 110°)
- Guaranteed flicker-free (DMX controlled PWM frequency)
- No fan, no maintenance, no noise
- Design for high-end installations indoor and outdoor (IP 20 or IP 65)
- Thick aluminium enclosure to guarantee body resistance in the long term



SPECIFICATIONS

- RGBA color mixing (2 mode selectable)
- Dynamic color mixing: variable power in the 4 output channels (RGBA)
- Standard lens 30°
- Electronic dimmer (2 different curves selectable)
- Electronic strobe, synchronized, random, pulse effect
- Flicker-free with LEDs frequency controlled via DMX from 600 to 19.000 Hz
- Double yoke for easy ground standing or truss hanging
- IP rating: 20 or 65 (weatherproof)

LIGHT SOURCE

- 36 LEDs Cree (9 Red, 9 Green, 9 Blue, 9 Amber)
- Average LED lifetime: a minimum of 80% of the initial luminous flux will be maintained after approx. 50.000 hours of usage (50.000 LM80)

PHYSICAL SIZE

- Length: 211.4 mm (8.32 in)
- Width: 182.8 mm (7.20 in)
- Height: 267 mm (10.51 in)
- Weight: 3.5 kg (7.7 lbs)

CONTROL PROTOCOL AND PROGRAMMING

- USITT DMX512A
- DMX channels: 8 / 4
- Setting, addressing, testing and measurements via LEDs display
- 4 internal automatic programs
- Master / Slave mode
- RDM (Remote Device Management)

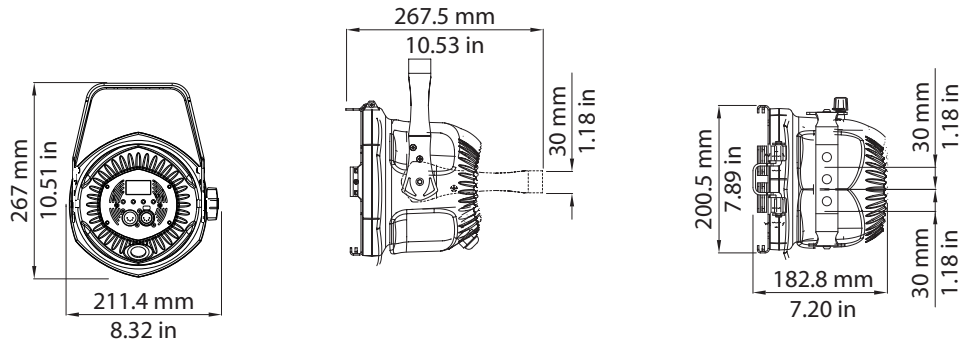
ELECTRICAL SPECIFICATIONS AND CONNECTIONS

- AC power: 100-250 V, auto-sensing, 50/60 Hz, 2 m (6.6 ft) integral cable without power plug
- Max power consumption: 50 W
- Power consumption: 0.4 A at 230 V, 0.8 A at 115 V - cosφ 0.52
- DMX data in/out: 5 pin locking XLR

ACCESSORIES

- 12° lens kit
- 50° lens kit
- 40°x 13° elliptical lens kit
- 110° flood reflector
- Support color frame holder (black or silver)
- Frame for internal frost filter
- Frame for external frost filter
- 4 leaf barndoor
- IP 65 rear panel (black or silver)
- Egg crate louvers

DRAWING SIZE



DMX CHARTS

8 channels	
1	master dimmer
2	red
2 (A)	speed
Note 1: channel 2 changes function and becomes 2 (A) when channels 7 is active	
3	green
3 (A)	pause
Note 2: channels 3 changes function and becomes 3 (A) when channels 7 is active	
4	blue
5	amber
6	strobe effect
7	automated function
8	special function

4 channels	
1	red
2	green
3	blue
4	amber

PHOTOMETRIC DATA

The ParLite Led Photometric Data may be downloaded from www.coemar.com.

ACCESSORIES

Code	Description
BC10007A001	Support color frame holder black
BC10007A002	Support color frame holder silver
PC09164	4 leaf barndoor
PC09167/1	12° lens kit
PC09167	30° lens kit
PC09167/3	50° lens kit
PC09167/2	40° x 13° lens kit
PC09168	110° flood reflector
PC09169	Frame for internal frost filter
PC09169/1	Frame for external frost filter
GPAN22	Rear panel black
GPAN25	Rear panel silver
BC10007A007	Egg crate louvers