



# ParLite Led Strobe

Product code: PC10016A196

## KEY FEATURES

- Thick aluminium, long lasting light source in long lasting body
- 7 Led rings individually controlled
- Strobe and Wash modes (automatic LED intensity adjustment)
- Beam angle: 120°
- Low noise applications, silent fan
- Guaranteed flicker-free operation (DMX controlled PWM frequency)
- Cosmetic design for hi-end installation, only 4.5 Kg (9.9 lbs)
- Internal/External gel frame (standard size)
- Smart build "Quick Stand" tucked into yoke



## SPECIFICATIONS

- Fixed white CCT: 6.500 K
- Beam angle: 120°
- 7 LED rings individually controlled
- 'Ring' strobe effects
- Strobe and Wash modes (automatic LED intensity adjustment)
- Electronic strobe, synchronized, random, pulse effect
- Electronic dimmer (2 different curves selectable)
- Flicker-free operation with LED frequency controlled by DMX from 600 to 5.000 Hz
- Double yoke for easy ground standing or truss hanging
- IP rating: 20 or 65 (weatherproof)

## LIGHT SOURCE

- 308 Seoul LEDs Daylight
- Average LED lifetime: a minimum of 80% of the initial luminous flux will be maintained after approx. 50.000 hours of usage (50.000 LM80)

## PHYSICAL SIZE

- Length: 211 mm (8.3 in)
- Width: 182 mm (7.1 in)
- Height: 267 mm (10.5 in)
- Weight: 4.5 Kg (9.9 lbs)

## CONTROL PROTOCOL AND PROGRAMMING

- USITT DMX512A
- DMX Channels: 13 / 6 / 3
- Setting and addressing: binary dip switch or remotely
- RDM (Remote Device Management)

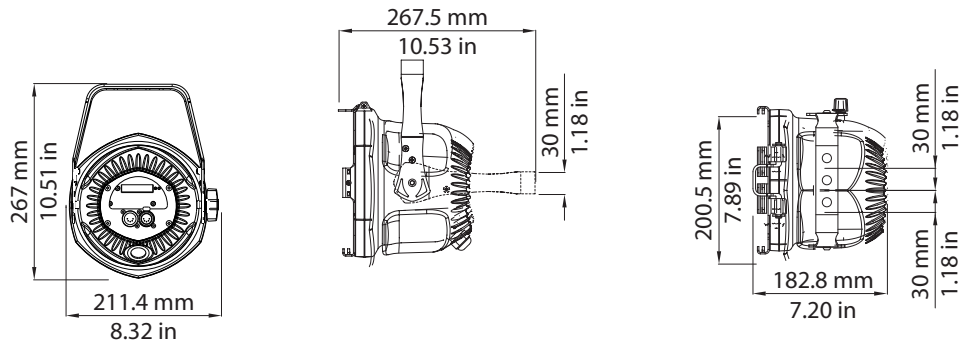
## ELECTRICAL SPECIFICATIONS AND CONNECTIONS

- AC power: 90-250 V, auto-sensing, 50/60 Hz, 2 m (6.6 ft) integral cable without power plug
- Power consumption: 0.7 A at 230 V, 1.5 A at 115 V
- DMX data in/out: 5 pin locking XLR

## ACCESSORIES

- Support color frame holder
- Frame for internal frost filter
- Frame for external frost filter
- 4 leaf barndoor

## DRAWING SIZE



## DMX CHARTS

13 channels		6 channels		3 channels	
1	master dimmer	1	master dimmer	1	master dimmer
2	ring 1	2	frequency	2	frequency
3	ring 2	3	duration	3	duration
4	ring 3	4	strobe effect		
5	ring 4	5	games		
6	ring 5	6	game speed		
7	ring 6				
8	ring 7				
9	frequency				
10	duration				
11	strobe effect				
12	games				
13	game speed				

## PHOTOMETRIC DATA

The ParLite Led Strobe Photometric Data may be downloaded from [www.coemar.com](http://www.coemar.com).

## ACCESSORIES

Code	Description
BC10007A001	Support color frame holder black
BC10007A002	Support color frame holder silver
PC09164	4 leaf barndoor
PC09169	Frame for internal frost filter
PC09169/1	Frame for external frost filter