



ParLite Led T

Product code: F007E000B

KEY FEATURES

- 3.200 K white light output at its best
- Ideal digital substitute of a traditional spot fresnel 650 W
- Variable light projection angles via quick lens change (12°, 30°, 13° x 40°, 50°, 110°)
- 75 % to 82 % energy saving compared to traditional technology at the same brightness
- Thick aluminium, long lasting light source in long lasting body
- Internal/External gel frame (standard size)
- Smart build "Quick Stand" tucked into yoke
- No fan, no maintenance, no noise



SPECIFICATIONS

- Fixed white CCT: 3.200 K
- Standard lens 12°
- Electronic dimmer (2 different curves selectable)
- Electronic strobe, synchronized, random, pulse effect
- Flicker-free operation
- Double yoke for easy ground standing or truss hanging
- IP rating: 20 or 65 (weatherproof)

LIGHT SOURCE

- 36 LEDs Cree Tungsten
- Average LED lifetime: a minimum of 80% of the initial luminous flux will be maintained after approx. 50.000 hours of usage (50.000 LM80)

PHYSICAL SIZE

- Length: 211.4 mm (8.32 in)
- Width: 182.8 mm (7.20 in)
- Height: 267 mm (10.51 in)
- Weight: 3.5 kg (7.7 lbs)

CONTROL PROTOCOL AND PROGRAMMING

- USITT DMX512A
- DMX channels: 6
- Setting and addressing: binary dip switch or remotely
- RDM (Remote Device Management)

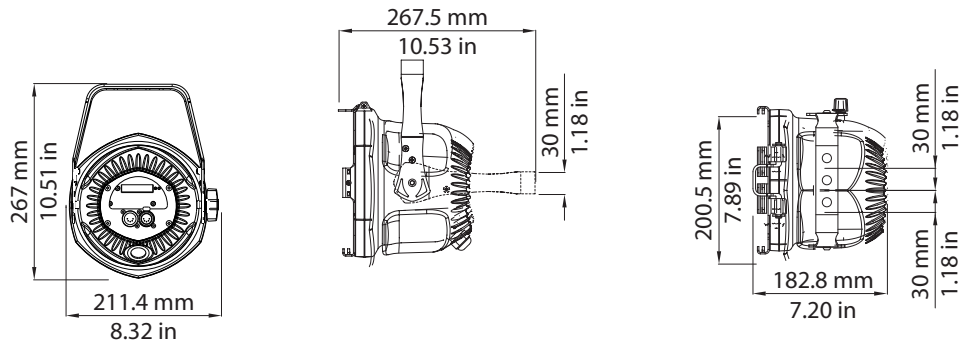
ELECTRICAL SPECIFICATIONS AND CONNECTIONS

- AC power: 100-250 V, auto-sensing, 50/60 Hz, 2 m (6.6 ft) integral cable without power plug
- Max power consumption: 40 W
- Power consumption: 0.33 A at 230 V, 0.67 A at 115 V - $\cos\phi$ 0.52
- DMX data in/out: 5 pin locking XLR

ACCESSORIES

- 30° lens kit
- 50° lens kit
- 40°x 13° elliptical lens kit
- 110° flood reflector
- Support color frame holder (black or silver)
- Frame for internal frost filter
- Frame for external frost filter
- 4 leaf barndoor
- IP 65 rear panel (black or silver)
- Egg crate louvers

DRAWING SIZE



DMX CHARTS

6 channels	
1	master dimmer
2	channel 1 / speed
3	channels 2 / speed
4	channel 3
5	strobe effect
6	automated functions

PHOTOMETRIC DATA

The ParLite Led Photometric Data may be downloaded from www.coemar.com.

ACCESSORIES

Code	Description
BC10007A001	Support color frame holder black
BC10007A002	Support color frame holder silver
PC09164	4 leaf barndoor
PC09167/1	12° lens kit
PC09167	30° lens kit
PC09167/3	50° lens kit
PC09167/2	40° x 13° lens kit
PC09168	110° flood reflector
PC09169	Frame for internal frost filter
PC09169/1	Frame for external frost filter
G PAN22	Rear panel black
G PAN25	Rear panel silver
BC10007A007	Egg crate louvers