



SoftLite Led RGBW

Product code: F026L000A

KEY FEATURES

- RGBW color mixing
- LED soft light, ideal for broadcast segment
- Indirect fully uniform illumination
- White ranging from 2700 K to 10000 K with color rendering index greater than 90 (CRI>90)
- Plus minus green correction
- Color saturation adjustment
- Smooth 16 bit dimmer
- Flicker-free operation with LEDs frequency controlled via DMX from 600 Hz to 19000 Hz
- 220 W LED light source
- The fan setting allows three options: low, auto, DMX regulated



SPECIFICATIONS

- RBG+W colour mixing with Hue and Saturation control, with pure color mixing throughout the field and all whites from 2700 to 10000 K
- Green-Magenta Adjustment
- Electronic dimmer from 0% to 100%
- Beam angle: 115°
- Electronic control of the cooling system
- Tempered frontal polycarbonate (UV)
- Guaranteed Flicker-free operation, LEDs frequency controlled via DMX from 600 Hz to 19000 Hz
- Fan setting with 3 different options (low, auto, DMX regulated)
- Aluminium extruded and steel body
- Double dissipation system: air forced heat pipe and fan

LIGHT SOURCE

- 96 Cree LEDs, 24 Red, 24 Green, 24 Blue, 24 White
- LEDs life: 20.000 hours at 70% lumen intensity maintenance

PHYSICAL SIZE

- Length: 691.5 mm (27.2 in)
- Height: 211.0 mm (8.3 in)
- Height with bracket: 273.6 mm (10.8 in)
- Weight: 9.6 Kg (21.1 lbs)

CONTROL PROTOCOL AND PROGRAMMING

- USITT DMX512/1990
- DMX channels: 14/8/7/4/1
- Setting, addressing, testing and measurements via LEDs display
- Remote Device Management (RDM)

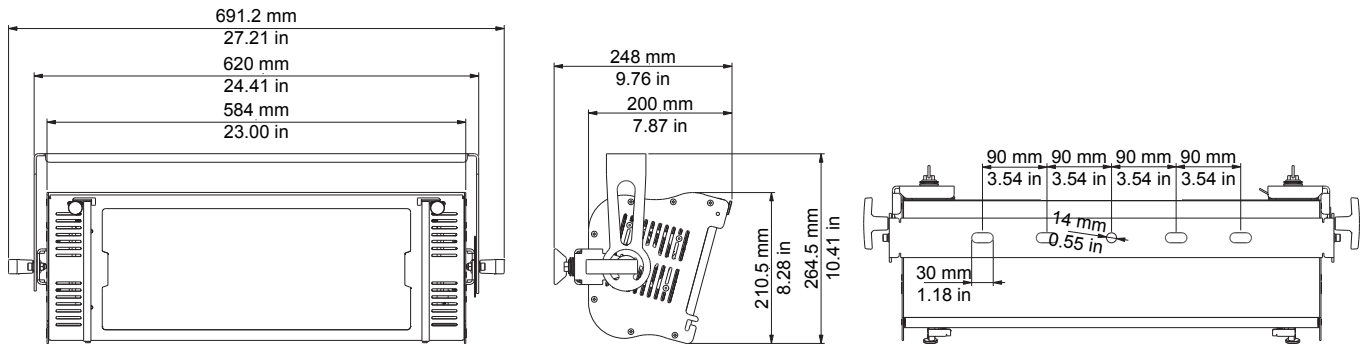
ELECTRICAL SPECIFICATIONS AND CONNECTIONS

- AC power: 90-240V, auto sensing, 50/60 Hz, 2 m (6.6 ft) PowerCon cable without power plug
- In and Out PowerCon connectors to feed up to 10 (at 230 Vac) or 5 (90 Vac)
- Power consumption: 1.2 A at 230 V, 2.43 A at 115V - $\cos\phi$ 0,9
- DMX data in/out: XLR 5 M/F

ACCESSORIES

- 4 leaf barndoor
- 4 leaf barndoor + asymmetric diffuser
- Color frame holder
- Honeycomb 6 mm (in)
(1/2 peak angle 7° - 1/10 peak angle 13°)
- Honeycomb 10 mm (in)
(1/2 peak angle 10° - 1/10 peak angle 16°)
- Honeycomb XL
- Pole operated yoke
- 2 ground standing feet

DRAWING SIZE



DMX CHARTS

14 channels		8 channels		4 channels	
1	master dimmer	1	master dimmer	1	red
2	red	2	red	2	green
3	green	3	green	3	blue
4	blue	4	blue	4	white
5	white	5	white		
6	strobe effect	6	strobe effect	1 channel	
7	dimmer fine	7	dimmer fine	1	master dimmer (color temperature settable by display)
8	special function	8	special function		
9	red tone	7 channels			
10	green tone	1	master dimmer		
11	blue tone	2	color temperature		
12	white tone	3	green saturation		
13	green saturation	4	saturation		
14	saturation	5	hue		
		6	dimmer fine		
		7	special function		

PHOTOMETRIC DATA

The SoftLite Led Photometric Data may be downloaded from www.coemar.com.

ACCESSORIES

Code	Description
BC10026A002	4 leaf barndoor
BC10026A007	4 leaf barndoor intensifier + asymmetric diffuser
BC10026A001	Color frame holder
BC10026A003	Honeycomb (6 mm) (1/2 peak angle 7° - 1/10 peak angle 13°)
BC10026A004	Honeycomb (10 mm) (1/2 peak angle 10° - 1/10 peak angle 16°)
BC10026A005	Honeycomb XL
BC10026A006	Soft diffuser (Different filters available)
BC10026A008	Pole operated yoke
PC08052/1	2 ground standing feet