



SoftLite Led VariWhite

Product code: F026G000A

KEY FEATURES

- LED soft light, ideal for broadcast segment
- Indirect fully uniform illumination
- Smooth 16 bit dimmer
- Flicker-free operation with LEDs frequency controlled via DMX from 600 Hz to 19000 Hz
- 250 W LED light source
- The fan setting allows three options: low, auto, DMX regulated
- Ultra quiet operation: ideal for low noise applications



SPECIFICATIONS

- Proportional control of white color temperature from 3000 K to 7000 K
- Electronic dimmer from 0% to 100%
- Electronic control of the cooling system
- Tempered frontal polycarbonate (UV)
- Guaranteed Flicker-free operation, LEDs frequency controlled via DMX from 600 Hz to 19000 Hz
- Fan setting with 3 different options (low, auto, DMX regulated)
- Aluminium extruded and steel body
- Double dissipation system: air forced heat pipe and fan
- Weatherproof rating IP 20

LIGHT SOURCE

- 48 Cree LEDs
- LEDs life: 20.000 hours at 70% lumen intensity maintenance

PHYSICAL SIZE

- Length: 691.5 mm (27.2 in)
- Height: 211.0 mm (8.3 in)
- Height with bracket: 273.6 mm (10.8 in)
- Weight: 9.6 Kg (21.1 lbs)

CONTROL PROTOCOL AND PROGRAMMING

- USITT DMX512/1990
- DMX channels: 5/1
- Setting, addressing, testing and measurements via LEDs display
- Remote Device Management (RDM)

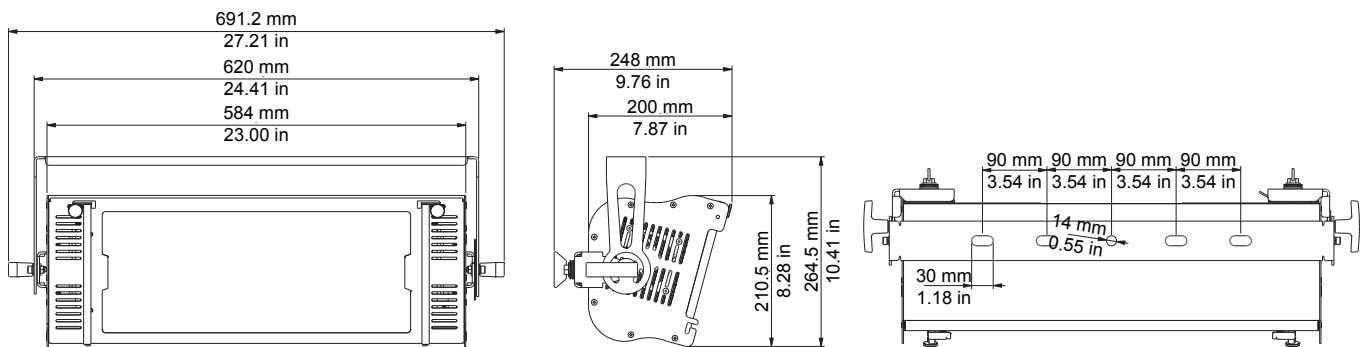
ELECTRICAL SPECIFICATIONS AND CONNECTIONS

- AC power: 90-240V, auto sensing, 50/60 Hz, 2 m (6.6 ft) PowerCon cable without power plug
- In and Out PowerCon connectors to feed up to 10 (at 230 Vac) or 5 (90 Vac)
- Power consumption: 1.2 A at 230 V, 2.43 A at 115V - $\cos\phi$ 0,9
- DMX data in/out: 5 pin locking XLR

ACCESSORIES

- 4 leaf barndoor
- 4 leaf barndoor + asymmetric diffuser
- Color frame holder
- Honeycomb 6 mm (in)
(1/2 peak angle 7° - 1/10 peak angle 13°)
- Honeycomb 10 mm (in)
(1/2 peak angle 10° - 1/10 peak angle 16°)
- Honeycomb XL
- Pole operated yoke
- 2 ground standing feet

DRAWING SIZE



DMX CHARTS

5 channels	
1	master dimmer
2	white temperature
3	dimmer fine
4	strobe
5	special function

1 channel	
1	master dimmer (color temperature settable by display)

ACCESSORIES

Code	Description
BC10026A002	4 leaf barndoor
BC10026A007	4 leaf barndoor intensifier + asymmetric diffuser
BC10026A001	Color frame holder
BC10026A003	Honeycomb (6 mm) (1/2 peak angle 7° - 1/10 peak angle 13°)
BC10026A004	Honeycomb (10 mm) (1/2 peak angle 10° - 1/10 peak angle 16°)
BC10026A005	Honeycomb XL
BC10026A006	Soft diffuser (Different filters available)
BC10026A008	Pole operated yoke
PC08052/1	2 ground standing feet