

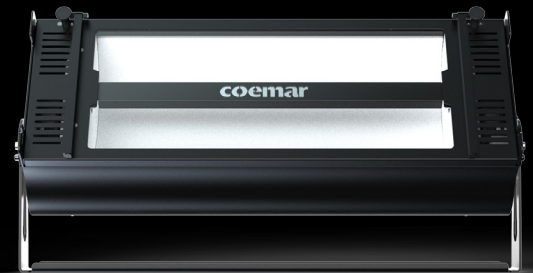


SoftLite Led VariWhite

Product code: F026G000A

KEY FEATURES

- 2.700 - 6.500 K continuously variable CCT
- Soft light, ideal for broadcast segment
- 220 W LED light source
- Indirect fully uniform illumination
- Smooth 16 bit dimmer
- Flicker-free operation with LEDs frequency controlled via DMX from 600 to 19.000 Hz
- The fan setting allows 3 options (low, auto, DMX regulated)
- Ultra quiet operation: ideal for low noise applications



SPECIFICATIONS

- CCT proportional control from 2.700 to 6.500 K
- Electronic dimmer from 0% to 100%
- Beam angle: 110°
- Electronic control of the cooling system
- Tempered frontal polycarbonate (UV)
- Guaranteed Flicker-free operation, LEDs frequency controlled via DMX from 600 to 19.000 Hz
- Fan setting with 3 different options (low, auto, DMX regulated)
- Aluminium extruded and steel body
- Double dissipation system: air forced heat pipe and fan
- IP rating: 20

LIGHT SOURCE

- 96 Cree LEDs
- Average LED lifetime: a minimum of 80% of the initial luminous flux will be maintained after approx. 50.000 hours of usage (50.000 LM80)

PHYSICAL SIZE

- Length: 691.2 mm (27.21 in)
- Height: 210.5 mm (8.28 in)
- Height with bracket: 264.5 mm (10.41 in)
- Weight: 9.6 Kg (21.1 lbs)

CONTROL PROTOCOL AND PROGRAMMING

- USITT DMX512A
- DMX channels: 6 / 2 / 1
- Setting, addressing, testing and measurements via LEDs display
- RDM (Remote Device Management)

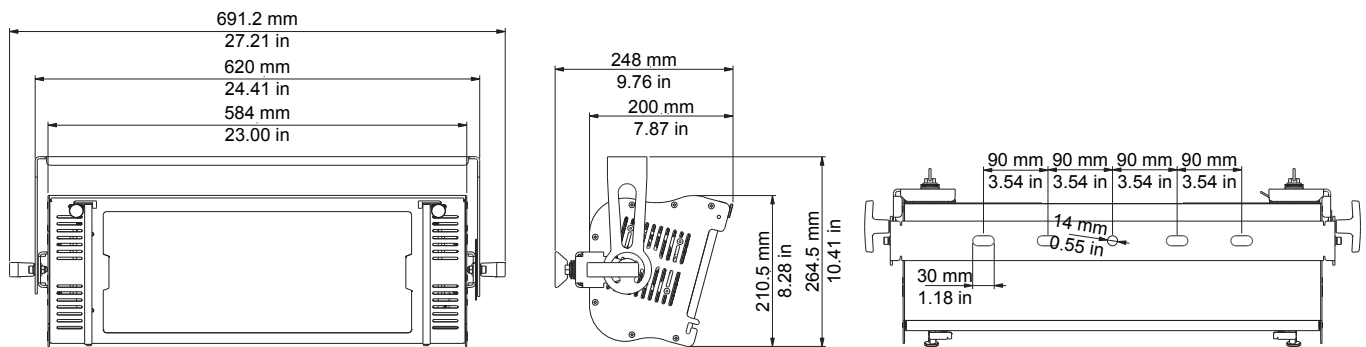
ELECTRICAL SPECIFICATIONS AND CONNECTIONS

- AC power: 90-240 V, auto-sensing, 50/60 Hz, 2 m (6.6 ft) PowerCon cable without power plug
- In and Out PowerCon connectors to feed up to 10 (at 230 V) or 5 (at 90 V) fixtures
- Max power consumption: 250 W
- Power consumption: 1.1 A at 230 V, 2.22 A at 115 V - cosφ 0,98
- DMX data in/out: 5 pin locking XLR

ACCESSORIES

- 4 leaf barndoor
- 4 leaf barndoor + asymmetric diffuser
- Color frame holder
- Honeycomb 6 mm (0.24 in) - 1/2 peak angle 7° - 1/10 peak angle 13°
- Honeycomb 10 mm (0.39 in) - 1/2 peak angle 10° - 1/10 peak angle 16°
- Honeycomb XL
- Pole operated yoke
- 2 ground-standing feet
- Soft diffuser (different filter available)

DRAWING SIZE



DMX CHARTS

| 6 channels | | 2 channels | | 1 channel | |
|------------|------------------------|------------|---------------|-----------|--|
| 1 | master dimmer | 1 | master dimmer | 1 | master dimmer (color temperature settable by display) |
| 2 | dimmer fine | 2 | white tone | | |
| 3 | white tone | | | | |
| 4 | white fine temperature | | | | |
| 5 | strobe effect | | | | |
| 6 | special function | | | | |

ACCESSORIES

| Code | Description |
|-------------|---|
| BC10026A002 | 4 leaf barndoor |
| BC10026A007 | 4 leaf barndoor + asymmetric diffuser |
| BC10026A001 | Color frame holder |
| BC10026A003 | Honeycomb (6 mm) (1/2 peak angle 7° - 1/10 peak angle 13°) |
| BC10026A004 | Honeycomb (10 mm) (1/2 peak angle 10° - 1/10 peak angle 16°) |
| BC10026A005 | Honeycomb XL |
| BC10026A006 | Soft diffuser (Different filters available) |
| BC10026A008 | Pole operated yoke |
| PC08052/1 | 2 ground standing feet |