



StageLite Led SC

Product code: F021L020F

KEY FEATURES

- The perfect wall washer: three independent optical planes with 3 different kinds of customized lenses
- The vertical beam zoom can be also focused from +56° to -52° (Patent Pending)
- 75% to 82% energy saving compared to traditional technology at the same brightness
- Robust aluminum, long lasting light source in long lasting body
- No fan, no maintenance, no noise
- Flicker free



SPECIFICATIONS

- RGB+White color mixing
- Proportional zoom 11° - 34° (vertical beam, ½ peak angle)
- The light beam is generated by three independent optical planes (Patent Pending) with 4 different kinds of customized (40x13° lenses mounted)
- Orientable beam from + 56° to - 52°, linear adjustment with manual positioning control: concentrate, symmetrical or asymmetrical
- Electronic dimmer
- Electronic strobe, synchronized, random, pulse effect
- Flicker free, LEDs frequency controlled by DMX
- Orientable standing feet
- Quick camlock clamps, on a modular guide with adjustable position
- Weatherproof rating IP 20 or IP 65

LIGHT SOURCE

- 48 XP Cree LEDs, 12 Red, 12 Green, 12 Blue and 12 White (6000 Kelvin)
- LEDs life: 20.000 hours at 70% lumen intensity maintenance

PHYSICAL SIZE

- Length: 308 mm (12.0 in)
- Width: 211 mm (8.3 in)
- Height: 181 mm (7.1 in)
- Weight: 6 kg (13.2 lbs)

CONTROL PROTOCOL AND PROGRAMMING

- USITT DMX512/1990
- Dmx channels: 8
- Setting and addressing: LEDs display or remotely by Dr1+ Plus

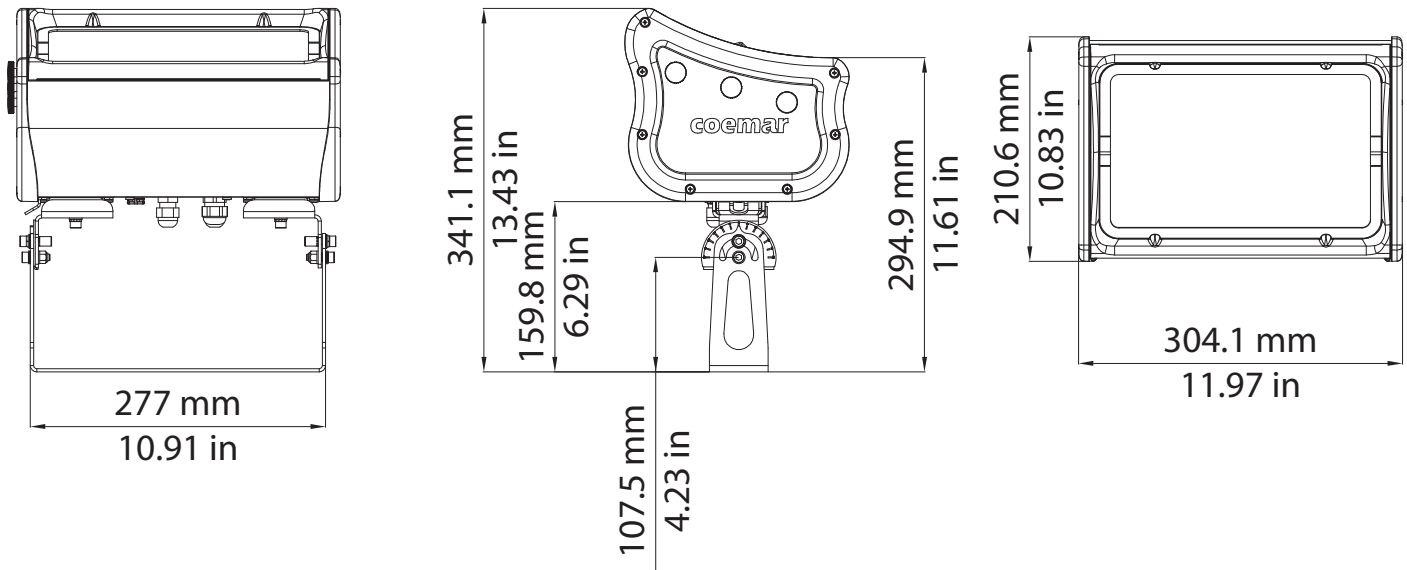
ELECTRICAL SPECIFICATIONS AND CONNECTIONS

- AC power: 90-250 V, auto sensing, 50/60 Hz, 2m (6.6 ft) integral cable without power plug, with PowerCon connector (only IP 20 version)
- Power consumption: 0.5 A at 230 V, 1 A at 115 V
- DMX data in/out: 5 pin locking XLR

ACCESSORIES

- 2 ground-standing feet
- Quick camlock clamps
- PowerCon cable (2m)
- PowerCon cable In/Out cable (2m)

DRAWING SIZE



DMX CHARTS

8 channels	
1	dimmer fine
2	red
3	green
4	blue
5	white
6	strobe effect
7	automated function
8	special function

PHOTOMETRIC DATA

The StageLite Led Photometric Data may be downloaded from www.coemar.com.

ACCESSORIES

Code	Description
PC08052/1	2 ground-standing feet
PC08052/3	Quick calock clamps
PC08052/4	PowerCon cable (2m)
CV18	PowerCon cable In/Out (2m)