



# StageLite Led SC

Product code: F021L020F

## KEY FEATURES

- The perfect wall washer: three independent optical planes with 3 different kinds of customized lenses
- The vertical beam zoom can be also focused from +56° to -52°
- 75% to 82% energy saving compared to traditional technology at the same brightness
- Robust aluminum, long lasting light source in long lasting body
- No fan, no maintenance, no noise
- Flicker-free operation



## SPECIFICATIONS

- RGB+W color mixing
- The light beam is generated by three independent optical planes with 4 different kinds of customized lenses (40° x 13° lenses mounted)
- Orientable beam from + 56° to - 52°, linear adjustment with manual positioning control: concentrate, symmetrical or asymmetrical
- Proportional zoom from 11° to 34° (vertical beam, ½ peak angle)
- Electronic dimmer
- Electronic strobe, synchronized, random, pulse effect
- Flicker-free operation with LEDs frequency controlled via DMX from 500 to 5.000 Hz
- Orientable standing feet
- Quick cam-lock clamps, on a modular guide with adjustable position
- IP rating: 20 or 65 (weatherproof)

## LIGHT SOURCE

- 48 LEDs Cree (12 Red, 12 Green, 12 Blue and 12 White - 6.500 K)
- Average LED lifetime: a minimum of 80% of the initial luminous flux will be maintained after approx. 50.000 hours of usage (50.000 LM80)

## PHYSICAL SIZE

- Length: 304.1 mm (11,97 in)
- Width: 210.6 mm (10,83 in)
- Height: 181.3 mm (7,1 in) - with mounting bracket: 341.1 mm (13,4 in)
- Weight: 6 kg (13,2 lbs)

## CONTROL PROTOCOL AND PROGRAMMING

- USITT DMX512A
- DMX channels: 8
- Setting and addressing: LEDs display or remotely by Dr1+ Plus
- RDM (Remote Device Management)

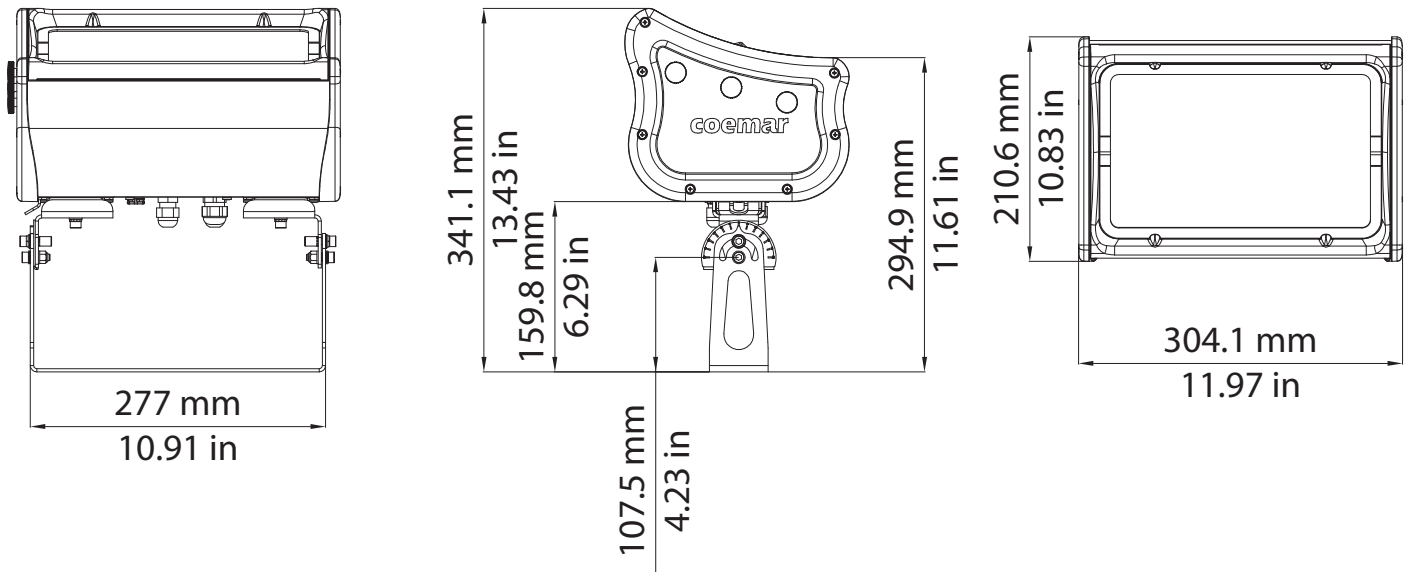
## ELECTRICAL SPECIFICATIONS AND CONNECTIONS

- AC power: 90-250 V, auto-sensing, 50/60 Hz, 2m (6.6 ft) integral cable without power plug, with PowerCon connector (only IP 20 version)
- Max power consumption: 70 W
- Power consumption: 0.5 A at 230 V, 1 A at 115 V -  $\cos\phi$  0.6
- DMX data in/out: 5 pin locking XLR

## ACCESSORIES

- 2 ground-standing feet
- Quick camlock clamps

## DRAWING SIZE



## DMX CHARTS

8 channels	
1	dimmer fine
2	red
3	green
4	blue
5	white
6	strobe effect
7	automated function
8	special function

## PHOTOMETRIC DATA

The StageLite Led Photometric Data may be downloaded from [www.coemar.com](http://www.coemar.com).

## ACCESSORIES

Code	Description
PC08052/1	2 ground-standing feet
PC08052/3	Quick calock clamps