

Technical Brochure

Provisional



REFLECTION
LEDKO™ TM Fresnel

Reflection Series

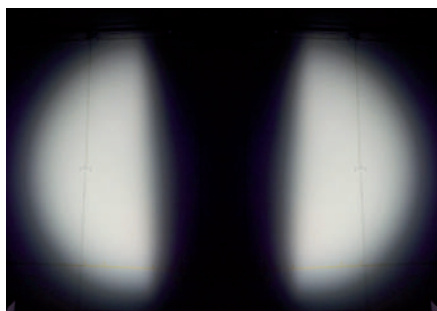
LEDko™ Fresnel Tunable Daylight

KEY FEATURES

- Daylight Tunable allows for fine-tuning of the daylight color temperature from 5000 K to 6500 K and is particularly suited to applications requiring precise matching to conventional tungsten lampheads
- Proportional Zoom
- Internal barndoor framing system (Patented): framing system offering four independently variable axial blades with proportional rotation of the assembly through 90°
- Green-Magenta Adjustment
- Ultra quiet operation: ideal for low noise applications
- Flicker-free operations with LEDs frequency controlled via DMX from 600 Hz to 19000 Hz
- Fan setting with 3 different options (low-noise, auto-silent, DMX)



Internal barndoor



LEDko™ Fresnel - F002R030P

LEDko™ Fresnel

SPECIFICATIONS

RGBW color mixing

CCT: all whites from 5000 K to 6500 K

Green-Magenta adjustment

Proportional Zoom

Barndoor framing system (Patented) : framing system offering four independently variable axial blades with proportional rotation of the assembly through 90°.

Electronic 16 bit dimming with 2 selectable curves, simulating halogen or discharge lamp based fixtures

Flicker-free operation with LEDs frequency controlled via DMX from 600 Hz to 19000 Hz

Fan setting with 3 different options (low-noise, auto-silent, DMX)

Weatherproof rating IP 20

PHYSICAL SIZE

Height: 730.1 mm (28.7 in)

Width: 551.3 mm (21.7 in)

Depth: 376.5 mm (14.8 in)

Weight: 30 Kg (66.1 lbs)

LIGHT SOURCE

Modular RGBW LEDs

LEDs life: 20.000 hours at 70% lumen intensity maintenance

CONTROL PROTOCOL AND PROGRAMMING

USITT DMX512A

DMX channels: 23

Setting, addressing, testing and measurements via LEDs display

RDM

ELECTRICAL SPECIFICATIONS/CONNECTIONS

Max power consumption: 400W

AC power: 90/200 V, auto-sensing, 50/60 Hz

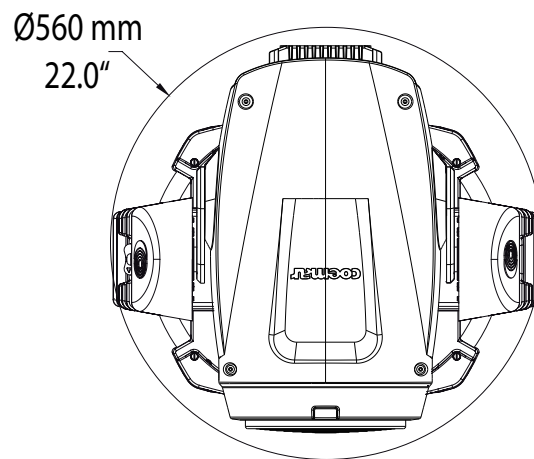
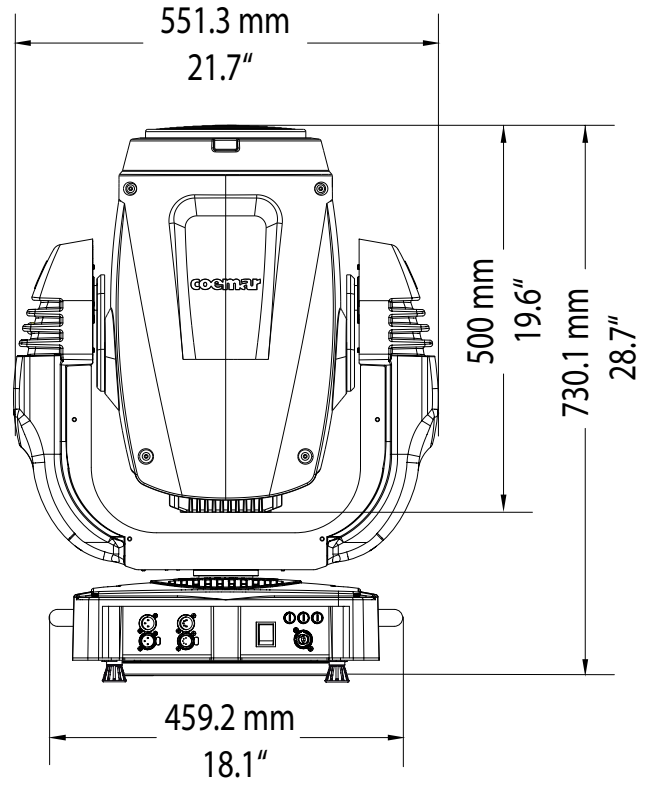
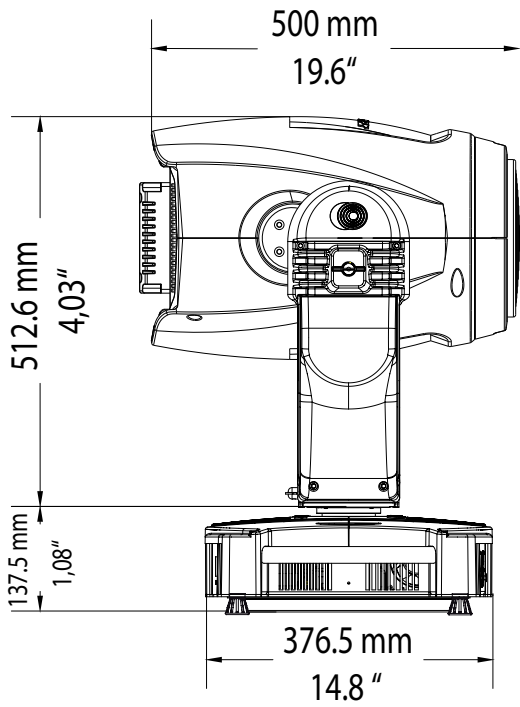
Power consumption: 1.69 A at 230 V, 4.30 A at 90 V - $\cos\phi$ 0.94

In and Out PowerCon connectors with 2 m (6.6 ft) PowerCon cable without power plug

DMX data in/out: 5 pin locking XLR

AVAILABLE VERSION

LEDko™ Fresnel Tunable Tungsten (CCT: all whites from 2700 to 4100 K)



DMX Chart 23 Channels	
channel	effect
1	X axis, base movement (pan) corse
2	X axis, base movement (pan) fine
3	Y axis, yoke movement (tilt) corse
4	Y axis, yoke movement (tilt) fine
5	Movement speed
6	Master dimmer
7	Dimmer fine
8	CCT
9	Green saturation
10	LED mode
11	Red
12	Green
13	Blue
14	White
15	Strobe
16	Zoom
17	Framing shutter 1
18	Framing shutter 2
19	Framing shutter 3
20	Framing shutter 4
21	Framing rotation
22	Special function
23	Reset, display On/Off, autofocus



Coemar Lighting Srl
Via Carpenedolo, 90
46043 Castiglione delle Stiviere
Mantova - Italy
ph. +39 0376 1514412
fax. +39 0376 1514380

info@coemar.com
www.coemar.com