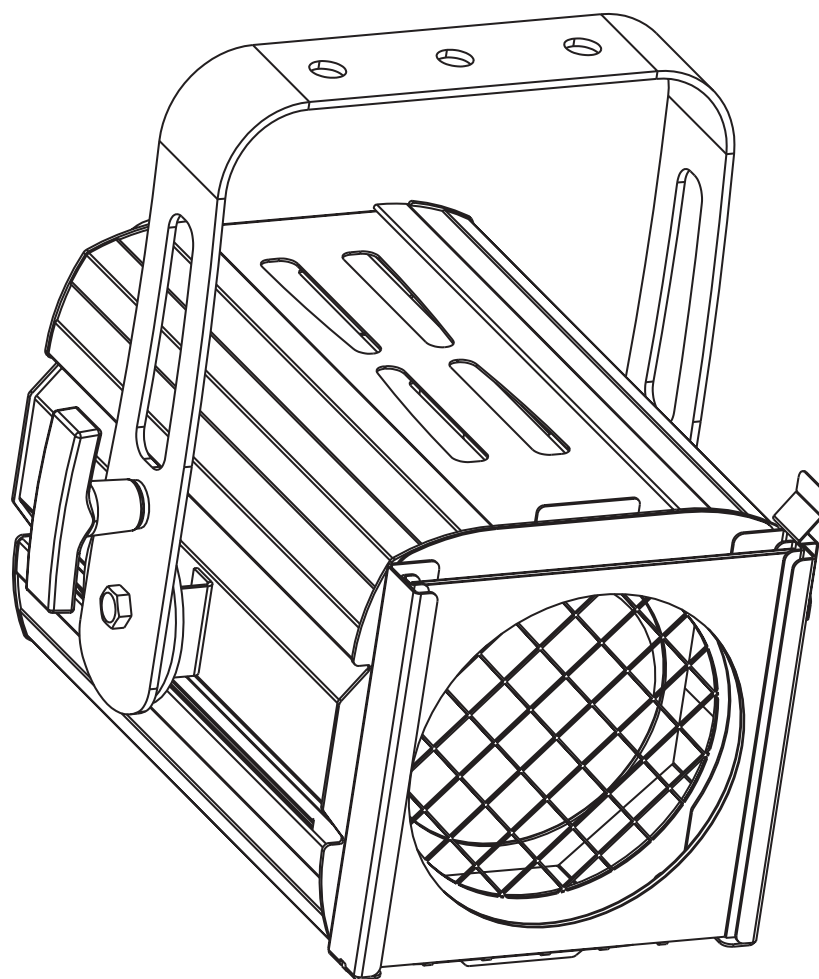


Risalto 2000

Fresnel-PC



instruction manual
manuale di istruzioni



Version 1.0

Risalto 2000 PC-Fresnel

Serial number/Numero di serie

Date of purchase/Data di acquisto

Dealer/Fornitore

Addres/Indirizzo

Suburb/CAP/Città

Capital City/Provincia

State/Stato

Tel./Fax.

Please note in the space provided above the relative service information of the model and the retailer from whom you purchased your Risalto 2000: this information will assist us in providing spare parts, repairs or in answering any technical enquires with the utmost speed and accuracy.

Prendete nota, nello spazio apposito, dei dati relativi al modello e al rivenditore del vostro Risalto 2000: questi dati ci permetteranno di assistervi con la massima rapidità e precisione.

WARNING: the security of the fixture is granted only if these instructions are strictly followed; therefore it is absolutely necessari to keep this manual.

ATTENZIONE: la sicurezza dell'apparecchio è garantita solo con l'uso appropriato delle presenti istruzioni, pertanto è necessario conservarle.

Users Manual Version 1.0

Edition September 2007

Index

1. Packaging and transportation	Pag. 6
1.1 Packaging	“ 6
1.2 Transportation	“ 6
2. General information	Pag. 6
2.1 Important safety information	“ 6
2.2 Warranty	“ 6
2.3 CE Certification	“ 6
3. Product specification	Pag. 7
3.1 Technical characteristics	“ 7
3.2 Dimensions	“ 7
4. Lamp: installation and replacement	Pag. 7
4.1 Lamp types	“ 7
4.2 Fixture opening and lamp installation/replacement	“ 8
5. Installation	Pag. 8
5.1 Accessories fixing	“ 8
5.2 Fixture fixing	“ 9
5.3 Warnings	“ 9
5.4 Positioning and light beam adjusting	“ 9
6. Powering up	Pag. 10
6.1 Main supply connection	“ 10
6.2 Electrical schematics	“ 10
7. Maintenance	Pag. 10
7.1 Cleaning	“ 10
7.2 Lamp and electrical parts	“ 10
7.3 Mechanical parts	“ 10
8. Spare parts	Pag. 10

English

Congratulations on having purchased a **Coemar product**, you have assured yourself of a fixture of the highest quality, both in componentry and in technology used. We renew our invitation to you to complete the service information on the previous page, to send us any request for service information or spare parts (in case of problems encountered either during, or subsequent to, installation). This information will help us in providing prompt and accurate advice from your **Coemar service**.

1. Packaging and transportation

Following the instructions and procedures outlined in this manual will ensure the maximum efficiency of this product for years to come.

1.1 Packaging

Open the packaging and ensure that no part of the equipment has suffered damage in the transit. In case of damage to the equipment, contact your carrier immediately by telephone or fax, following this with formal notification in writing .

Packing List

Ensure the packaging contains:

- 1 **Risalto 2000**
- 1 filter frame
- 1 This instruction manual

1.2 Transportation

The **Risalto 2000** should be transported in either its original packaging or in an appropriate flight case.

2. General information

2.1 Important safety information

Fire prevention:

1. Never locate the fixture on a flammable surface.
2. Minimum distance from flammable materials: 0,5 m/19 inches.
3. Minimum distance from the closest illuminable surface: 2 m/80 inches.

Prevention against electric shock:

1. Isolate the projector from mains supply prior to performing any function which involves touching the internal of the unit.
2. The level of technology present in the **Risalto 2000** requires the use of specialized personnel for all service applications; refer all work to your authorized **Coemar service** center.
3. Never handle the unit with wet hands or in a damp environment.

Safety:

1. The projector should always be installed with bolts, clamps, and other fixings which are appropriately rated to support the weight of the unit.
2. Always use a secondary safety chain of a suitable rating to sustain the weight of the unit in case of the failure of the primary fixing point.
3. Never install the fixture in an enclosed area lacking sufficient air flow; the ambient temperature should not exceed 104°F/40°C.
4. The external surface of the unit, at various points, may exceed 302°F/150°C. Never handle the unit until at least 20 minutes have elapsed since the unit was turned off.
5. This fixture must be provided of a frontal screen protection (safety net or glass)

Protection rating of the body against liquids and solids:

The fixture is classified ordinary apparatus; its protection grade against penetration by external agents, solid or liquid is IP20.

2.2 Warranty conditions

1. The fixture is guaranteed for a period of 12 months against manufacturing faults and faulty materials.
2. Faults due to incorrect operation or operation in an inappropriate manner are not covered by the warranty.
3. The warranty is immediately void if the fixture has been operated or serviced by unqualified or unauthorised personnel.
4. The warranty does not include fixture replacement.
5. The model and serial numbers must be supplied for any warranty claims or advice from our authorized service personnel.

2.3 CE Certification

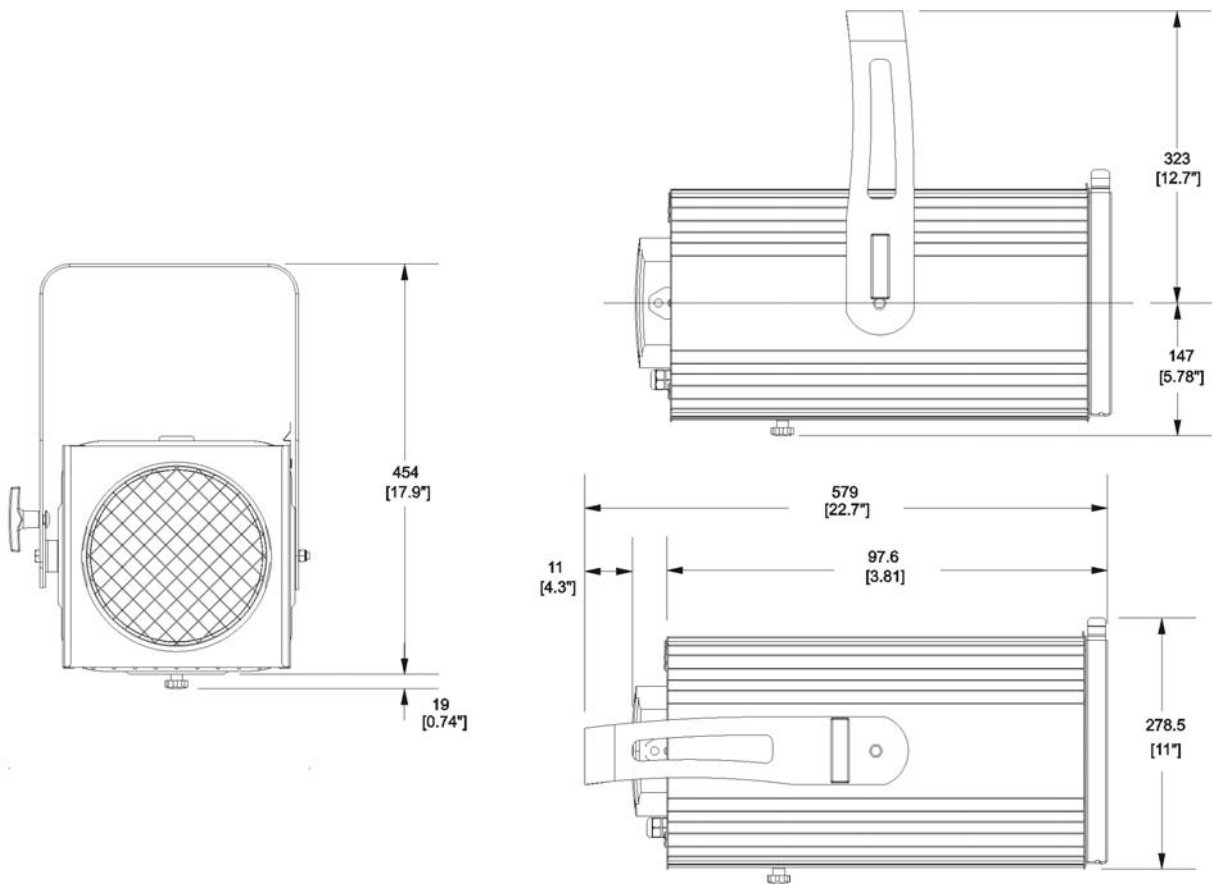
1. The fixture satisfies the essential requirements of the directive EMC 89/336/CEE, 92/31/CEE, BT 72/23/CEE, 98/68/CEE
2. The fixture is in accordance with the standard EN 50419 (RoHS) and satisfies the requirements of the directive 2002/96/EC (WEEE).

3. Product specifications

3.1. Technical characteristics

Lamp holder: GY 16
 Lamp power: 2000 W
 Minimum ambient temperature: -15°C/5°F
 Maximum ambient temperature: 40°C/104°F
 Body maximum temperature: 150°C / 302°F
 Weight: Rialto 2000 F – 11.5 Kg/25.4 Lbs
 Rialto 2000 PC - 12,7 Kg/28 Lbs

3.2 Dimensions



4. Lamp: installation and replacement

4.1 Lamp type

Rialto 2000 can mount a 2000 W halogen lamps with GY16 type socket. Coemar suggests the use of Philips lamps:

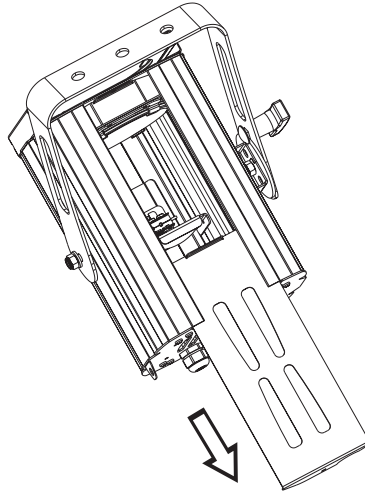
Type	Wattage	Voltage	Colour temp.	Average life hr.
CP72	2000W	230/240 Vac	3200 °K	480 hr.

English

4.2 Fixture opening and lamp installation/replacement.

WARNING I
ALWAYS DISCONNECT THE UNIT FROM MAINS POWER PRIOR TO OPENING THE FIXTURE

With a flat screwdriver rotate 90° the locking screw on the top back of **Risalto 2000** and open the door until it stops. Now you have access to the lamp holder. Insert the lamp without handling it with bare hands using its cover contained in the lamp packaging. If you find difficulties, don't force on the glass: visually check the whole operation and retry.

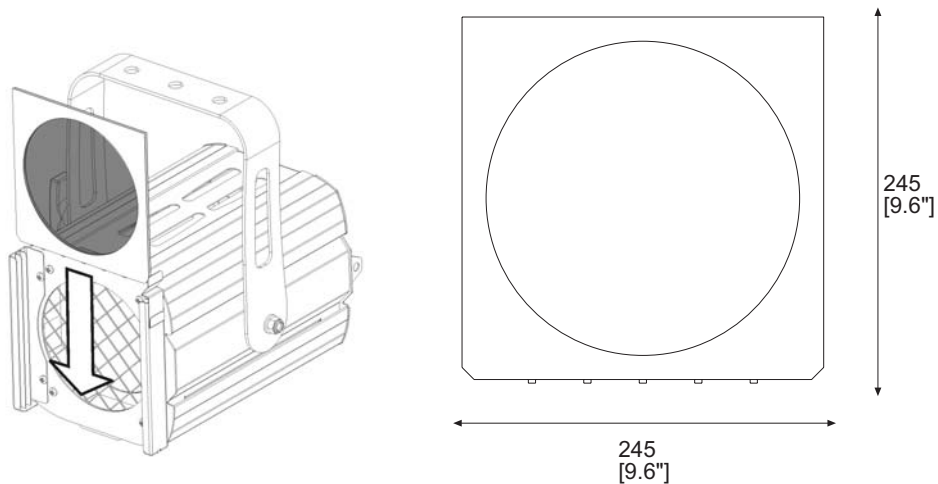


5. Installation

5.1. Accessories fixing

Risalto 2000 has on its front a receptacle for the mounting of a filter frame, a colour changer or a barndoor. When you mount one of these accessories, ensure that they are firmly fixed and kept in place by the locking spring.

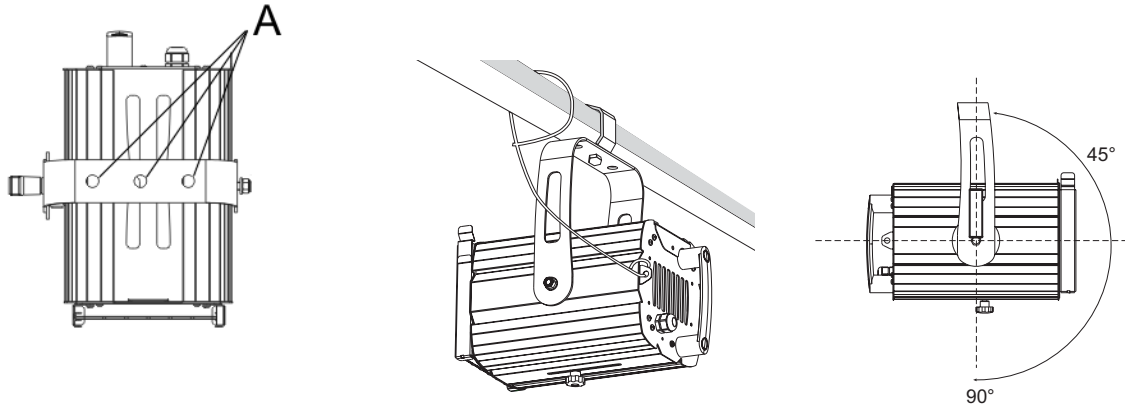
All **Risalto 2000** are comprehensive of a 245 x 245 mm filter frame. We recommend the use of high heat-resistant filters (polycarbonate or similar), commonly called "supergel".



5.2 Fixture fixing

Risalto 2000 yoke has three unthreadened 13 mm holes in order to mount a clamp or a mounting plate. Ensure that the chosen fixing material can bear the weight of the projector. We recommend the use of a safety chain locked to **Risalto 2000** and to the suspension device in order to avoid casual falls of the fixture.

Risalto 2000 should be fixed with inclination not over 45°, and not under 90° of its horizontal axis line. The fixture must be always fixed on a horizontal support.



5.3 Warnings

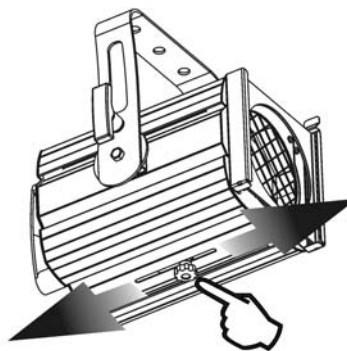
Every projector produces a lot of heat and should be fixed in well ventilated places; this fixture has been developed to be used in internal environments where temperature doesn't exceed 40°C/104°F. Keep minimum distance of 20 inches/0,5 m. from flammable surfaces and a minimum distance of 80inches/2m between the light source and the illuminated object .

Risalto 2000 should operate with the lamp oriented upside, otherwise the lamp could overheat and decrease its performance.

5.4 Positioning and light beam adjusting

We recommend to remove the filter frame and to lower power supply (by a dimmer device) during light beam adjusting in order to avoid overheating of the projector.

In order to perform width beam adjusting, loose the handle sited on the bottom of the fixture, move the lamp group back and forth to get the beam width desired, then tight the handle again.



6. Powering up

6.1 Main supply connection

The main supply cable is a special heatproof cable conforming to last international safety provisions.

In case of cable replacement, use only similar cables with the same characteristics (3x2,5 Ø external 10 mm, test voltage 2 kV, operating temp. -40°C +180°C).

Ensure the plug you are going to mount has ground protection. In order to guarantee safety it is necessary that a metallic part of the body is linked to ground by the green/yellow cable. Link the brown cable to Phase and the blue one to Neutral; check all the connections .

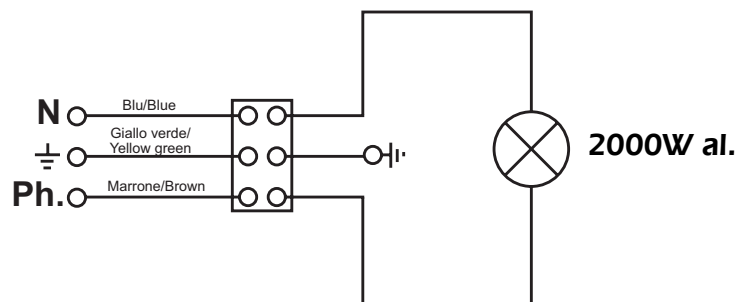
We recommend to use fuses or magneto-thermal switches in order to connect every **Risalto 2000** to the main supply.

If you decide to power up **Risalto 2000** by a power unit, ensure it has adequate fuse protection in order to bear lamp wattage .

WARNING I

THE INSTALLATION OF THIS FIXTURE MUST BE DONE BY SPECIALIZED PERSONNEL RESPECTING THE CURRENT DIRECTIVES OF THE COUNTRY WHERE THE FIXTURE IS USED

6.2 Electrical schematics



7. Maintenance

While every possible precaution has been taken to ensure the trouble-free operation of your **Risalto 2000**, the following periodic maintenance is highly recommended. We recommend to remove all cables from the unit prior to any maintenance procedure taking place.

7.1 Cleaning

Clean the lens and reflector regularly because just a thin layer of dust can alterate the light beam.

Air channel should be cleaned every 6 months in order to permit cooling operation; cleaning periods depend on the places where the projector operates. In order to perform cleaning, use a vacuum-cleaner, a brush or an air compressor .

7.2 Lamp and electrical parts

Replace the lamp if it has been damaged or deformed by heat: you'll avoid explosion risks.

Check all electrical components for correct earthing, oxidation and proper attachment of all connectors, cleaning and refasting if necessary.

7.3 Mechanical parts

Check the fixture for damage. Replace if necessary all damaged parts referring to the spare parts catalogue.

8. Spare parts

Every parts of **Risalto 2000** are available as spare parts from your Coemar service center.

Accurate description of the fixture , model number, and type will help us in providing you assistance in an efficient and effective manner.



Coemar S.p.A.

Via Inghilterra 2/A – 46042 Castel Goffredo (Mantova) Italy
Ph. +39 0376/77521 – Fax. +39 0376/780657
info@coemar.com

Coemar reserves the right to effect modifications without notifications
Coemar si riserva il diritto di apportare modifiche senza preavviso