

Provisional



ParLite FC

Dynamic white ParLite with RGBW Full Color Chip Technology

KEY FEATURES

- Multi-chips LED technology excellent color mixing
- Pre-set CCT levels (2700 K - 10000 K)
- Stand alone color mixing (user manual colors setting)
- Silent operation (no fan)
- Lightweight, easy for installation and transportation
- Control over DMX (wireless DMX ready) and RDM
- Thermal sensor system for double protection of LEDs
- IP65 rated powercon true in/out for easy connection



ParLite FC (15° lenses) - F030N001H

ParLite FC (35° lenses) - F030N001L

ParLite FC

SPECIFICATIONS

Dynamic RGBW color mixing - custom model see light source below
Pre-set CCT levels adjustable via DMX and control panel with Tint control
Electronic 8/16 bit dimming
Beam angle: 15°, 35°
Wireless ready (optional)
Customisable led chip (A or UV)
Electronic dimmer (2 different curves selectable)
Electronic strobe, synchronized, random, pulse effect
Temperature of operation: from -10°C to 35°C
Minimum distance from flammable surfaces: 0.5m
Flicker free for TV operations
Double yoke for easy ground standing or truss hanging
Weatherproof rating IP65
Fixture software update: Direct using USB

PHYSICAL SIZE

Length: 260 mm (10.2 in)
Width: 130 mm (5.1 in)
Height: 290 mm (11.4 in)
Weight: 4.4 Kg (9.7 lbs)

LIGHT SOURCE

9 RGBW LEDs CREE

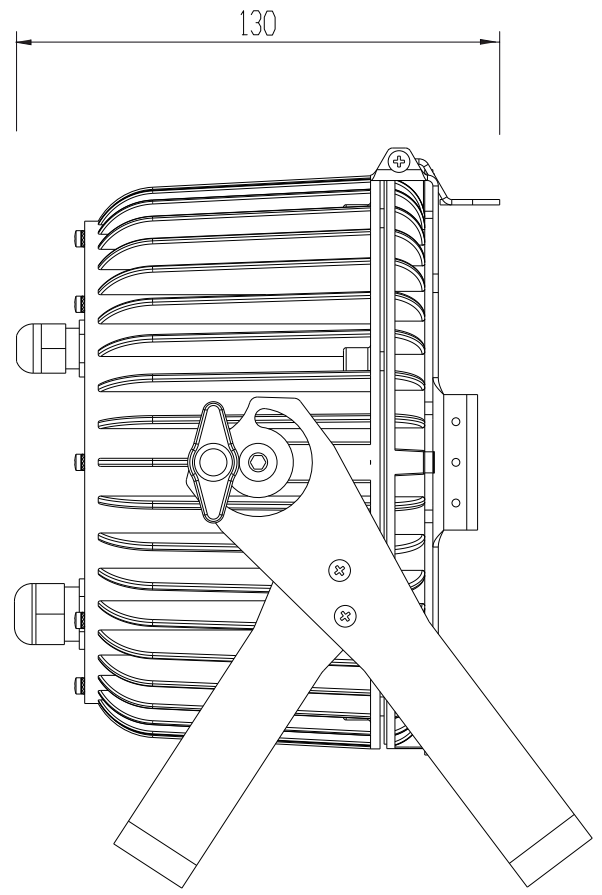
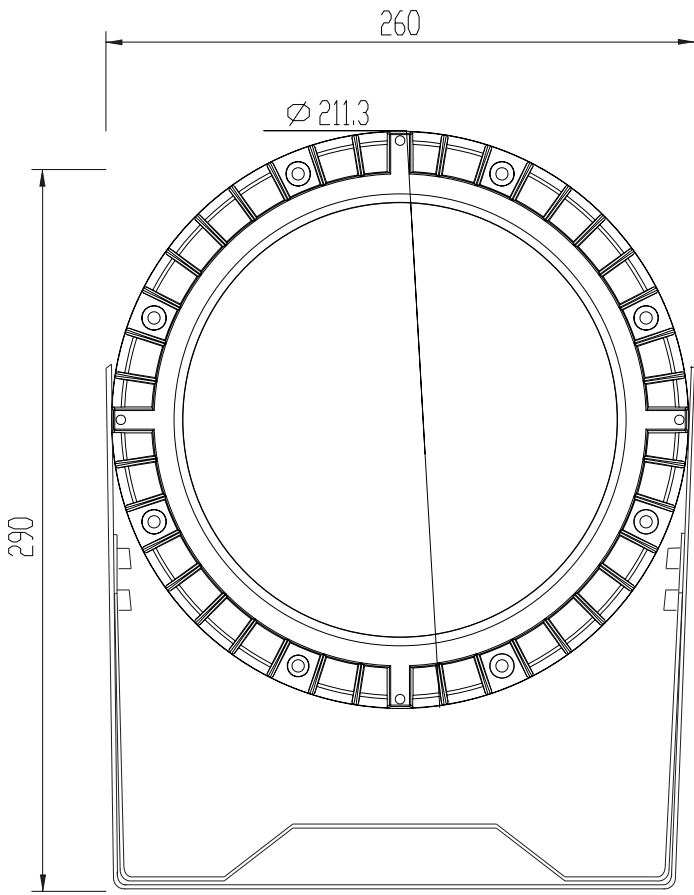
CONTROL PROTOCOL AND PROGRAMMING

USITT DMX512A
RDM
DMX Channels: 10
4-button LED display control panel
4 internal automatic programs
Master/Slave mode

ELECTRICAL SPECIFICATIONS/CONNECTIONS

Power supply: 90-260 VAC, 50Hz, 80W
Power consumption: 0.41 A @ 230 V, 0.85 A @ 110 V - cosφ 0,9
DMX data in/out: 5-pin XLR with Neutrik IP65

ParLite FC - Drawing Size



DMX Chart 10 Channels	
channel	effect
1	Master dimmer
2	White tone
3	Green saturation
4	Saturation
5	Red
6	Green
7	Blue
8	White
9	Punch white
10	Strobe

ParLite FC - RDM Chart

GET Allowed	SET Allowed	RDM Parameter	Value
		Category - Network Management	
		Disc_unique_branch	0 x 001
		Disc_mute	0 x 002
		Disc_un_mute	0 x 003
		Category - RDM Information	
•		Supported_parameters	0 x 0050
		Category - Product Information	
•		Device_info	0 x 0060
•		Product_detail_ID_list	0 x 0070
•		Device_model_description	0 x 0080
•		Manufacturer_label	0 x 0081
	•	Factory_defaults	0 x 0090
•		Software_version_label	0 x 00C0
		Category - DMX512 Setup	
•	•	DMX_personality	0 x 00E0
•		DMX_personality_description	0 x 00E1
•	•	DMX_start_address	0 x 00F0
•		Slot_info	0 x 0120
•		Slot_description	0 x 0121
		Category - Sensors	
•		Sensor_definition	0 x 0200
•		Sensor_value	0 x 0201
		Category - Power/Lamp Settings	
•		Device_hours	0 x 0400
•		Lamp_hours	0 x 0401
		Category - Display Settings	
•	•	Display_invert	0 x 0500
•	•	Display_level	0 x 0501
		Category - Control	
•	•	Identify_device	0 x 1000

- Mechanical improvements of some specific parts for fixing of accessories (such as top hat)
- Thermal management: improved heat management system. New power supply to withstand a higher temperature level (max internal temperature 95°C). Full set of tests at a Ta of 45°C
- DMX table updated and improved. The table has been simplified. A dedicated DMX channel for CCT with pre-set levels of CCT has been added to ease the set up of the fixture. Consistent level of CRI and TLCI well above 90 (average 94 at all CCT levels)



Coemar Lighting S.r.l.
Via Carpenedolo, 90
46043 Castiglione delle Stiviere
Mantova - Italy
ph. +39 0376 1514412
fax +39 0376 1514380

www.coemar.com