

Technical Brochure



ParLite Led RGBA

LiteLedSeries



ParLite Led RGBA

KEY FEATURES

- Dynamic color mixing: always the maximum light intensity at any color
- Guaranteed Flicker-free (DMX controlled PWM frequency)
- No fan, no maintenance, no noise
- Design for high-end installations indoor and outdoor (IP20 or IP65)
- Thick aluminium enclosure to guarantee body resistance in the long term
- Variable beam angles thanks to quickly interchangeable optics (12°, 30°, 13°x 40°, 50°, 110°)

ParLite Led RGBA

SPECIFICATIONS

RGBA color mixing (2 mode selectable)

Dynamic Color Mixing: variable power on the 4 output channels (RGBA)

Standard lens 30°

Electronic dimmer (2 curves selectable)

Electronic strobe, synchronized, random, pulse

Flicker-free with LEDs frequency controlled via DMX from 600 Hz to 19000 Hz

Double yoke for easy ground standing or truss hanging

Weatherproof rating IP20 (ParLite LED RGBA IP20), IP65 (ParLite LED RGBA IP65)

PHYSICAL SIZE

Length: 211 mm (8.3 in)

Width: 182 mm (7.1 in)

Height: 267 mm (10.5 in)

Weight: 3.35 Kg (7.4 lbs)

LIGHT SOURCE

36 LED Cree, 9 Red, 9 Green, 9 Blue, 9 Amber

CONTROL PROTOCOL AND PROGRAMMING

USITT DMX512A

DMX channels: 4/8

Setting, addressing, testing and measurements via LEDs display

4 internal automatic programs

Master/Slave mode

ELECTRONICAL SPECIFICATIONS/CONNECTIONS

AC power: 100-250 V, auto sensing, 50/60 Hz, 2m (6.6 ft) integral cable without power plug

Power consumption: 0.4 A at 230 V, 0.8 A at 115 V - cosφ 0.54

DMX data in/out: 5 pin locking XLR

AVAILABLE VERSION

ParLite Led RGBW

ACCESSORIES

12° lens kit (# 9167/1), 50° lens kit (# 9167/3)

40°x 13° elliptical lens kit (# 9167/2)

110° flood reflector (# 9168)

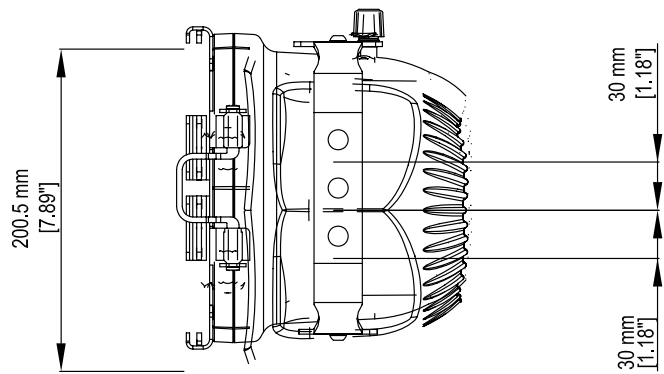
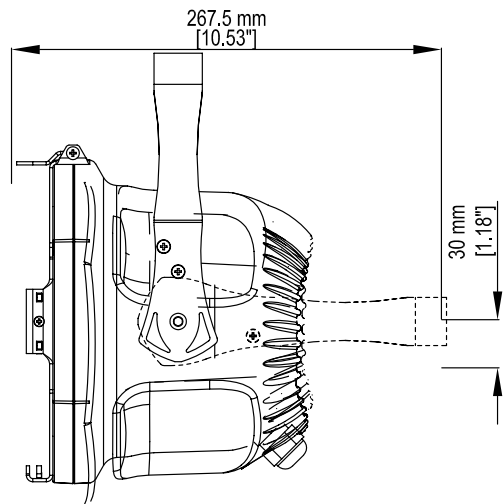
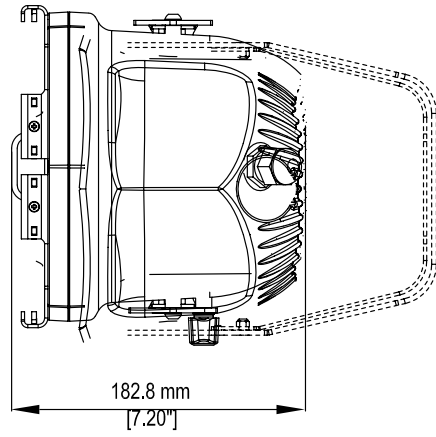
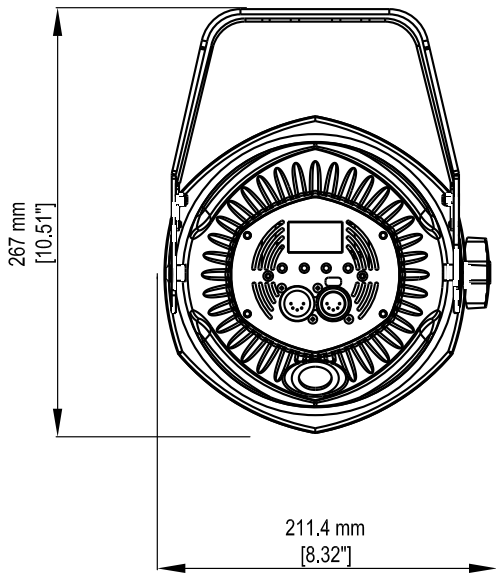
Color frame holder (# C10007A001 black, # C10007A002 silver)

Frame for internal frost filter (# 9169)

Frame for external frost filter (# 9169/1)

IP65 rear panel (# PAN22 black, # PAN25 silver)

4 leaf barndoor (# 9164)

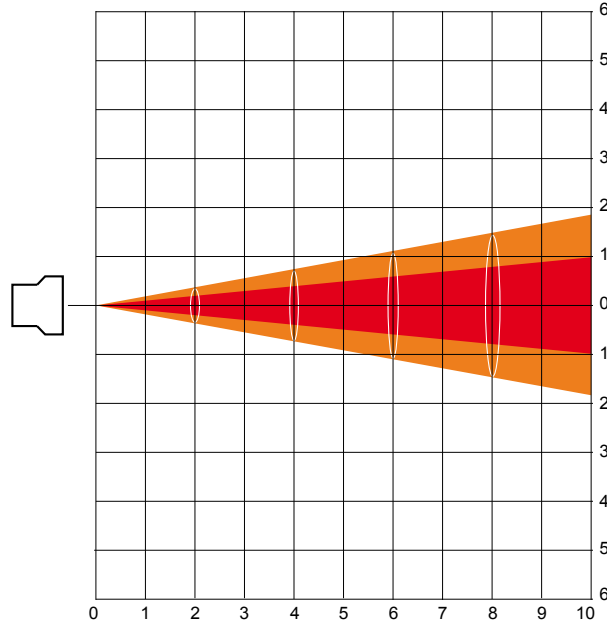


ParLite Led RGBA - DMX Charts

Channel		Function	Type of control	Effect	Decimal		Percentage	
8ch	4ch							
1		Master Dimmer	proportional	adjust luminous output intensity from 0 to 100%	0	- 255	0%	- 100%
2	1	Red	proportional	proportional control of the percentage of colour; from 0 to 100%	0	- 255	0%	- 100%
2(A)		Speed		if the effects of channel 7 are active this channel controls the speed of execution of the automatic programs				
Note 1: channel 2 changes function and becomes 2(A) when channel 7 is active								
3	2	Green	proportional	proportional control of the percentage of colour; from 0 to 100%	0	- 255	0%	- 100%
3(A)		Pause		if the effects of channel 7 are active this channel controls the time between the execution of an automatic program and the other				
Nota 2: channel 3 changes function and becomes 3(A) when channel 7 is active								
4	3	Blue	proportional	proportional control of the percentage of colour; from 0 to 100%	0	- 255	0%	- 100%
5	4	Ambra	proportional	proportional control of the percentage of colour; from 0 to 100%	0	- 255	0%	- 100%
6		Strobe	step	no effect	0	- 9	0%	- 4%
			proportional	variable speed strobing effect, from slow to fast	10	- 57	4%	- 22%
			step	stop strobe	58	- 59	23%	- 23%
			proportional	sequenced pulse effect, slow closing, fast opening (variable speed pulsing, from slow to fast)	60	- 108	24%	- 42%
			step	stop strobe	109	- 110	43%	- 43%
			proportional	sequenced pulse effect, fast closing, slow opening (variable speed pulsing, from slow to fast)	111	- 159	44%	- 62%
			step	stop strobe	160	- 161	63%	- 63%
			proportional	random strobe effect with variable, speed from slow to fast, synchronised colours	162	- 207	64%	- 81%
			step	stop strobe	208	- 209	82%	- 82%
7		Automated functions	step	no effect	0	- 9	0%	- 4%
				automated program 1	10	- 50	4%	- 20%
				automated program 2	51	- 91	20%	- 36%
				automated program 3	92	- 132	36%	- 52%
				automated program 4	133	- 173	52%	- 68%
				random program repeat	174	- 214	68%	- 84%
				repeat all programs in sequence	215	- 255	84%	- 100%
8		Special functions	step	park/no effect	0	- 9	0%	- 4%
				fixed color light power: best color mixing	10	- 40	4%	- 16%
				dynamic color light power: maximum light output	41	- 71	16%	- 28%
				600Hz	72	- 84	28%	- 33%
				no effect	85	- 133	33%	- 52%
				LCD display off	134	- 185	53%	- 73%
				LCD display on	186	- 199	73%	- 78%
				led control frequency tuning 1000Hz	200	- 205	78%	- 80%
				led control frequency tuning 1500Hz	206	- 211	81%	- 83%
				led control frequency tuning 2000Hz	212	- 217	83%	- 85%
				led control frequency tuning 2500Hz	218	- 223	85%	- 87%
				led control frequency tuning 3000Hz	224	- 229	88%	- 90%
				led control frequency tuning 3500Hz	230	- 235	90%	- 92%
				led control frequency tuning 4000Hz	236	- 241	93%	- 95%
led control frequency tuning 4500Hz	242	- 247	95%	- 97%				
led control frequency tuning 5000Hz	248	- 255	97%	- 100%				
Projector: ParLite LED RGBA				Table name: DMX 512 functions 8/4 channel				
Table number: 347			Edition: 0		Date: 27/08/2014			

12° Lenses

Distance (m.)	1	2	3	4	5	6	7	8	9	10
Red	14958	3740	1662	935	598	416	305	234	185	150
Luminous emittance (Lux)	29961	7490	3329	1873	1198	832	611	468	370	300
Green	12354	3095	1376	774	495	344	253	194	153	124
Blue	8620	2205	980	551	353	245	180	138	109	88
Amber	12354	3095	1376	774	495	344	253	194	153	124
R+G+B+A	30978	7745	3442	1936	1239	864	632	484	382	310
1/2 peak angle α (m.)	0.19	0.39	0.58	0.77	0.96	1.16	1.35	1.54	1.73	1.93
1/10 peak angle α (m.)	0.37	0.74	1.11	1.48	1.85	2.22	2.59	2.97	3.34	3.71

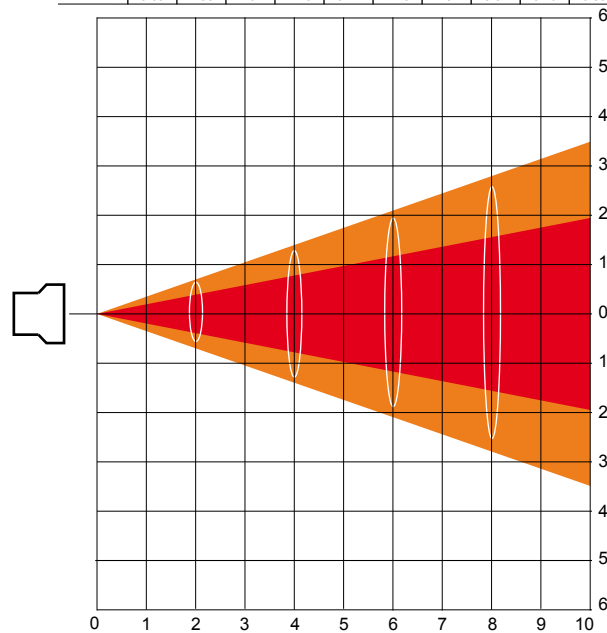


1/2 peak angle: 11°

1/10 peak angle: 21°

30° Lenses

Distance (m.)	1	2	3	4	5	6	7	8	9	10
Red	5580	1395	620	349	223	155	114	87	69	56
Luminous emittance (Lux)	8289	2072	921	518	332	230	169	130	102	83
Green	2790	698	310	174	112	78	57	44	34	28
Blue	1790	447	197	111	71	50	37	28	22	18
Amber	5184	1296	576	324	207	144	106	81	64	52
R+G+B+A	10440	2610	1160	653	418	290	213	163	129	104
1/2 peak angle α (m.)	0.39	0.78	1.17	1.56	1.94	2.33	2.72	3.11	3.50	3.89
1/10 peak angle α (m.)	0.69	1.38	2.07	2.75	3.44	4.13	4.82	5.51	6.20	6.89

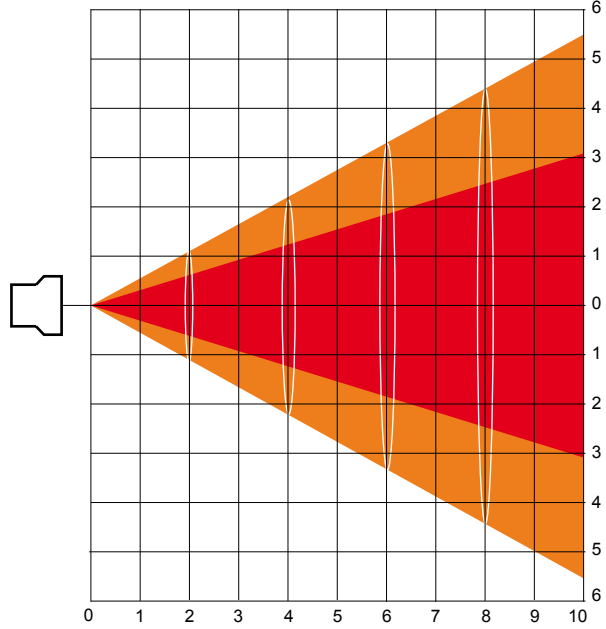


1/2 peak angle: 22°

1/10 peak angle: 38°

50° Lenses

Distance (m)	1	2	3	4	5	6	7	8	9	10
Red	1890	473	210	118	76	53	39	30	23	19
Luminous emittance (Lux)	2511	628	279	157	100	70	51	39	31	25
Green	765	191	85	48	31	21	16	12	9	8
Blue	1574	419	186	105	67	47	34	26	21	17
Amber	3249	812	361	203	130	90	66	51	40	32
R+G+B+A	0.63	1.26	1.89	2.52	3.15	3.78	4.41	5.04	5.68	6.31
1/2 peak angle (m)	1.09	2.17	3.26	4.34	5.43	6.52	7.60	8.69	9.77	10.86

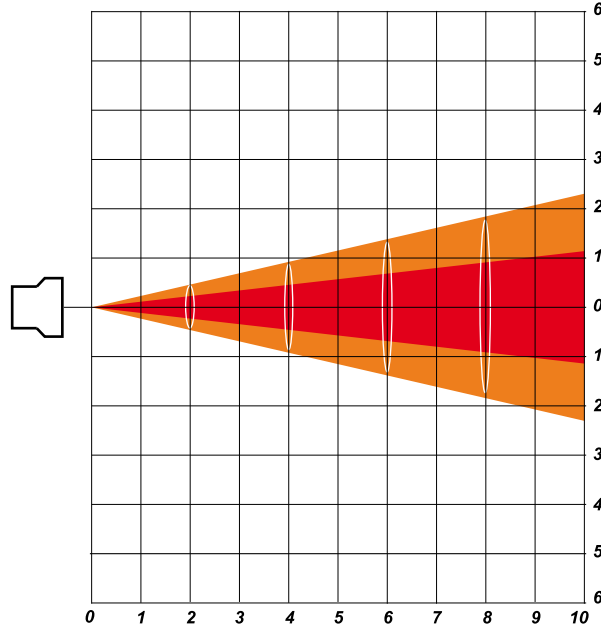


1/2 peak angle: 35°

1/10 peak angle: 57°

40° X 13° Lenses - Vertical beam

Distance (m.)	1	2	3	4	5	6	7	8	9	10
Red	3429	857	381	214	137	95	70	54	42	34
Luminous emittance (Lux)	5625	1406	625	352	225	156	115	88	69	56
Blue	1737	434	193	109	69	48	35	27	21	17
Amber	2736	684	304	171	109	76	56	43	34	27
R+G+B+A	6525	1631	725	408	261	181	133	102	81	65
1/2 peak angle (m)	0.23	0.46	0.68	0.91	1.14	1.37	1.60	1.82	2.05	2.28
1/10 peak angle (m)	0.46	0.92	1.39	1.85	2.31	2.77	3.23	3.69	4.16	4.62

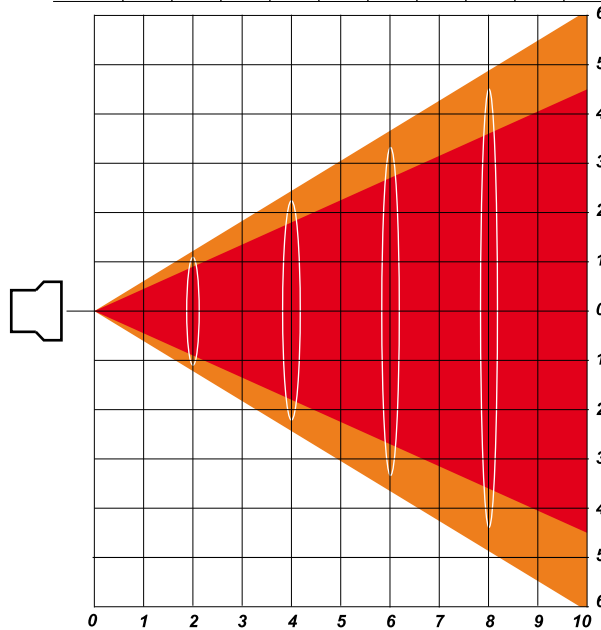


1/2 peak angle: 13°

1/10 peak angle: 26°

40° X 13° Lenses - Horizontal beam

Distance (m.)	1	2	3	4	5	6	7	8	9	10
Red	3429	857	381	214	137	95	70	54	42	34
Luminous emittance (Lux)	5625	1406	625	352	225	156	115	88	69	56
Blue	1737	434	193	109	69	48	35	27	21	17
Amber	2736	684	304	171	109	76	56	43	34	27
R+G+B+A	6525	1631	725	408	261	181	133	102	81	65
1/2 peak angle (m)	0.90	1.81	2.71	3.61	4.52	5.42	6.31	7.22	8.12	9.03
1/10 peak angle (m)	1.27	2.55	3.82	5.10	6.37	7.63	8.91	10.18	11.46	12.73



1/2 peak angle: 49°

1/10 peak angle: 65°





ParLite Led RGBA - Available Versions



Code	Description
PC10007A226	ParLite Led RGBA, Silver 30° lens, 5 pin locking XLR
PC10007A230	ParLite Led RGBA, IP65 Silver 30° lens, 5 pin locking XLR



Code	Description
PC10007A224	ParLite Led RGBA, Black 30° lens, 5 pin locking XLR
PC1007A228	ParLite Led RGBA, IP65 Silver 30° lens, 5 pin locking XLR

Picture	Code	Description
	BC10007A001 BC10007A002	Support color frame holder black Support color frame holder silver
	PCO9164	4 Leaf Barndoor
	BC10007A005 PCO9169/1 PCO9167 PCO9167/3 BC10007A006 PCO9167/2	8° lens kit 12° lens kit 30° lens kit 50° lens kit 70° lens kit 40° x 13° lens kit
	PCO9168	110° flood reflector

Picture	Code	Description
	<p>PCO9169</p>	<p>Frame for internal frost filter</p>
	<p>PCO9169/1</p>	<p>Frame for external frost filter</p>
	<p>GPAN22 GPAN25</p>	<p>Rear panel black rear panel silver</p>
	<p>BC10007A007</p>	<p>Egg Crate Louvers</p>



Coemar Lighting Srl
Via Carpenedolo, 90
46043 Castiglione delle Stiviere
Mantova - Italy
ph. +39 0376 1514412
fax. +39 0376 1514380

info@coemar.com
www.coemar.com