

# Technical Brochure



**PinLite Led  
White 3200K**

# Lite Led Series



# PinLite Led 3200 K

## PinLite Led 3200 K

### SPECIFICATIONS

Fixed white color temperature 3200 K

Standard lens 12°

Electronic dimmer

Electronic strobe, synchronized, random, pulse effect

Flicker-free

ETL approved

Double yoke for easy ground standing or truss hanging

Weatherproof rating IP20 (PinLite LED), IP65 (PinLite LED IP65)

### PHYSICAL SIZE

Length: 127 mm (5.0 in)

Width: 152.4 mm (6.0)

Height: 127 mm (5.0)

Weight: 1.8 Kg (4.0 lbs)

### LIGHT SOURCE

12 LEDs Cree

### CONTROL PROTOCOL AND PROGRAMMING

USITT DMX512/1990

Setting and addressing: binary dip switch or remotely

4 Internal automatic programs

### ELECTRONICAL SPECIFICATIONS/CONNECTIONS

AC power: 90-250 V, auto sensing, 50/60Hz, 2 m (6.6 ft) integral cable without power plug

Power consumption: 0.18 A at 230 V, 0.45 A at 115 V -  $\cos\phi$  0.6

DMX data in/out: 5 pin locking XLR

### AVAILABLE VERSION

Also available upon request with white LEDs

### ACCESSORIES

30° lens kit (# 9186)

50° lens kit (# 9186/3)

40°X13° elliptical lens kit (# 9186/2)

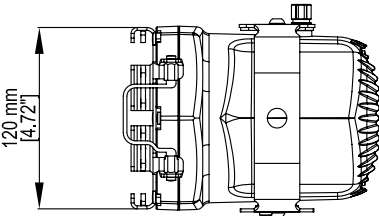
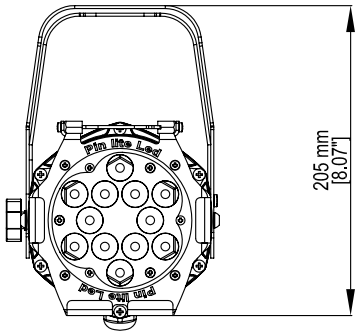
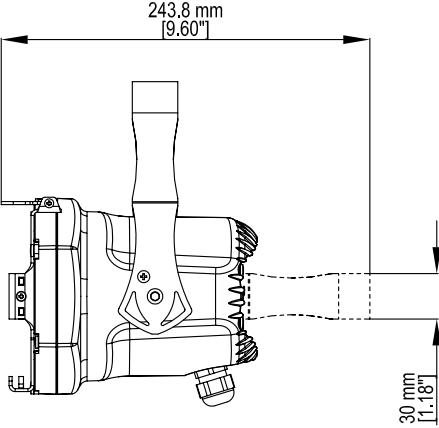
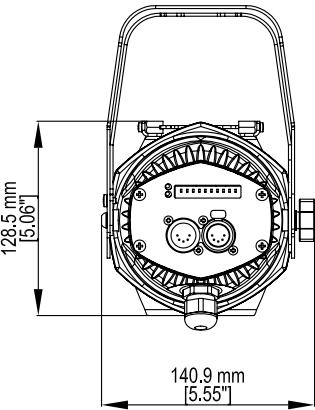
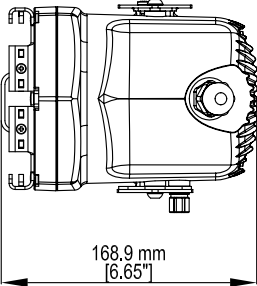
110° flood reflector (# 9187)

Support color frame holder (black: #10011A001, silver: #10011A002)

Frame for internal frost filter (# 9188)

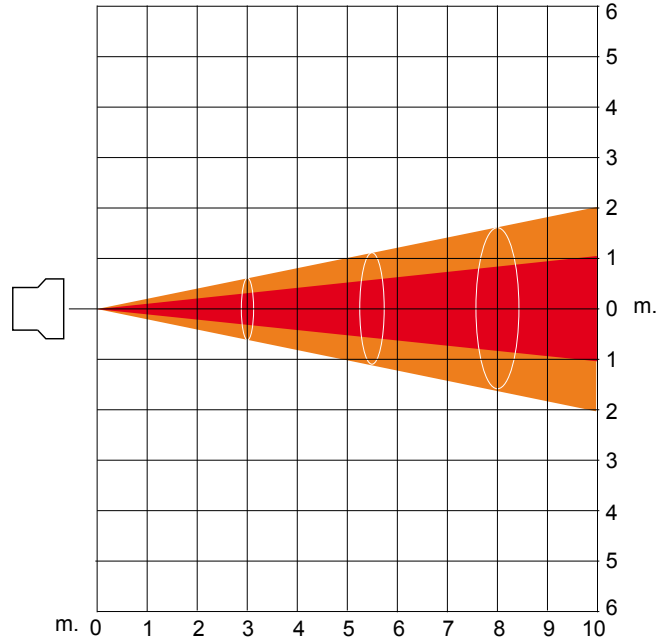
Frame for external frost filter (# 9188/1)

IP65 rear panel (black: # 10, silver: # 10/1)



### 10° Lenses

Distance (m.)	1	2	3	4	5	6	7	8	9	10
Luminous emittance (Lux)	22050	5513	2450	1378	882	613	450	345	272	221
Ø 1/2 peak angle m.	0,21	0,42	0,63	0,84	1,05	1,26	1,47	1,68	1,89	2,10
Ø 1/10 peak angle m.	0,41	0,81	1,22	1,63	2,03	2,44	2,85	3,26	3,66	4,07

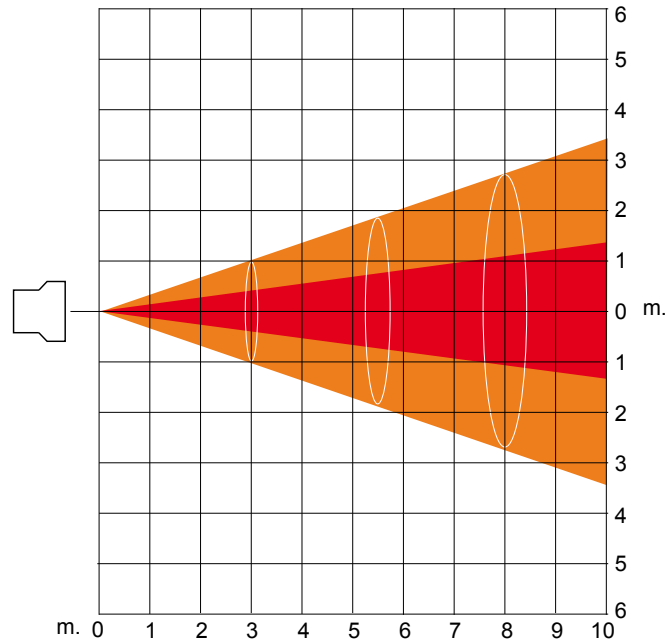


1/2 peak angle: 12°

1/10 peak angle: 23°

### 12° Lenses

Distance (m.)	1	2	3	4	5	6	7	8	9	10
Luminous emittance (Lux)	19260	4815	2140	1204	770	535	393	301	238	193
Ø 1/2 peak angle m.	0,25	0,49	0,74	0,98	1,23	1,47	1,72	1,96	2,21	2,46
Ø 1/10 peak angle m.	0,69	1,38	2,07	2,75	3,44	4,13	4,82	5,51	6,20	6,89

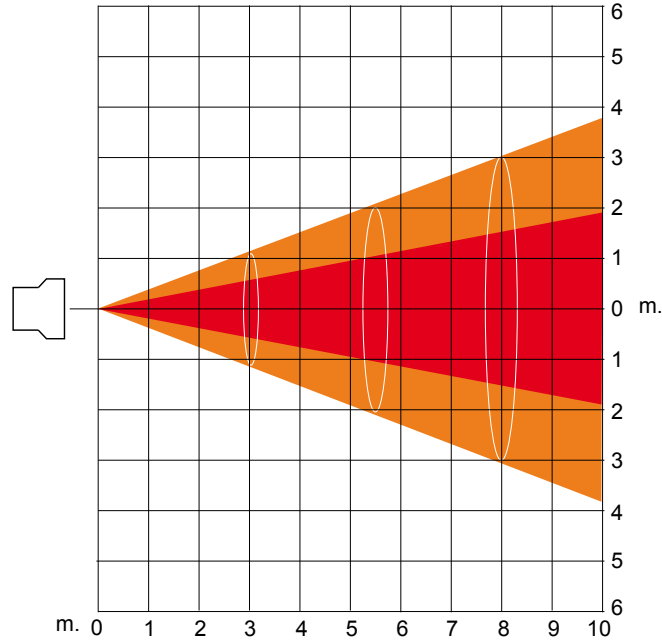


1/2 peak angle: 14°

1/10 peak angle: 38°

### 30° Lenses

Distance (m.)	1	2	3	4	5	6	7	8	9	10
Luminous emittance (Lux)	6912	1728	768	432	276	192	141	108	85	69
Ø 1/2 peak angle m.	0,37	0,74	1,11	1,48	1,85	2,22	2,59	2,97	3,34	3,71
Ø 1/10 peak angle m.	0,75	1,50	2,24	2,99	3,74	4,49	5,23	5,98	6,73	7,48

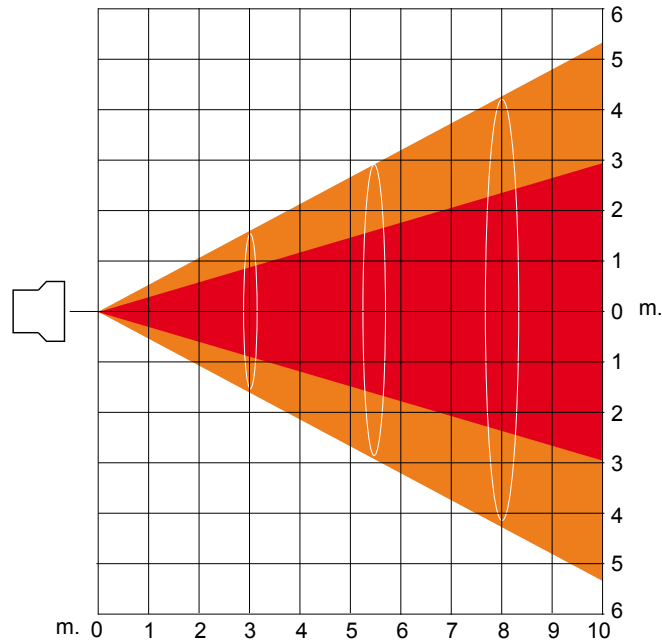


1/2 peak angle: 21°

1/10 peak angle: 41°

### 50° Lenses

Distance (m.)	1	2	3	4	5	6	7	8	9	10
Luminous emittance (Lux)	2835	709	315	177	113	79	58	44	35	28
Ø 1/2 peak angle m.	0,59	1,18	1,78	2,37	2,96	3,55	4,15	4,74	5,33	5,92
Ø 1/10 peak angle m.	1,06	2,13	3,19	4,25	5,32	6,38	7,44	8,51	9,57	10,63



1/2 peak angle: 33°

1/10 peak angle: 56°



**Coemar Lighting Srl**  
Via Carpenedolo, 90  
46043 Castiglione delle Stiviere  
Mantova - Italy  
ph. +39 0376 1514412  
fax. +39 0376 1514380

[info@coemar.com](mailto:info@coemar.com)  
[www.coemar.com](http://www.coemar.com)