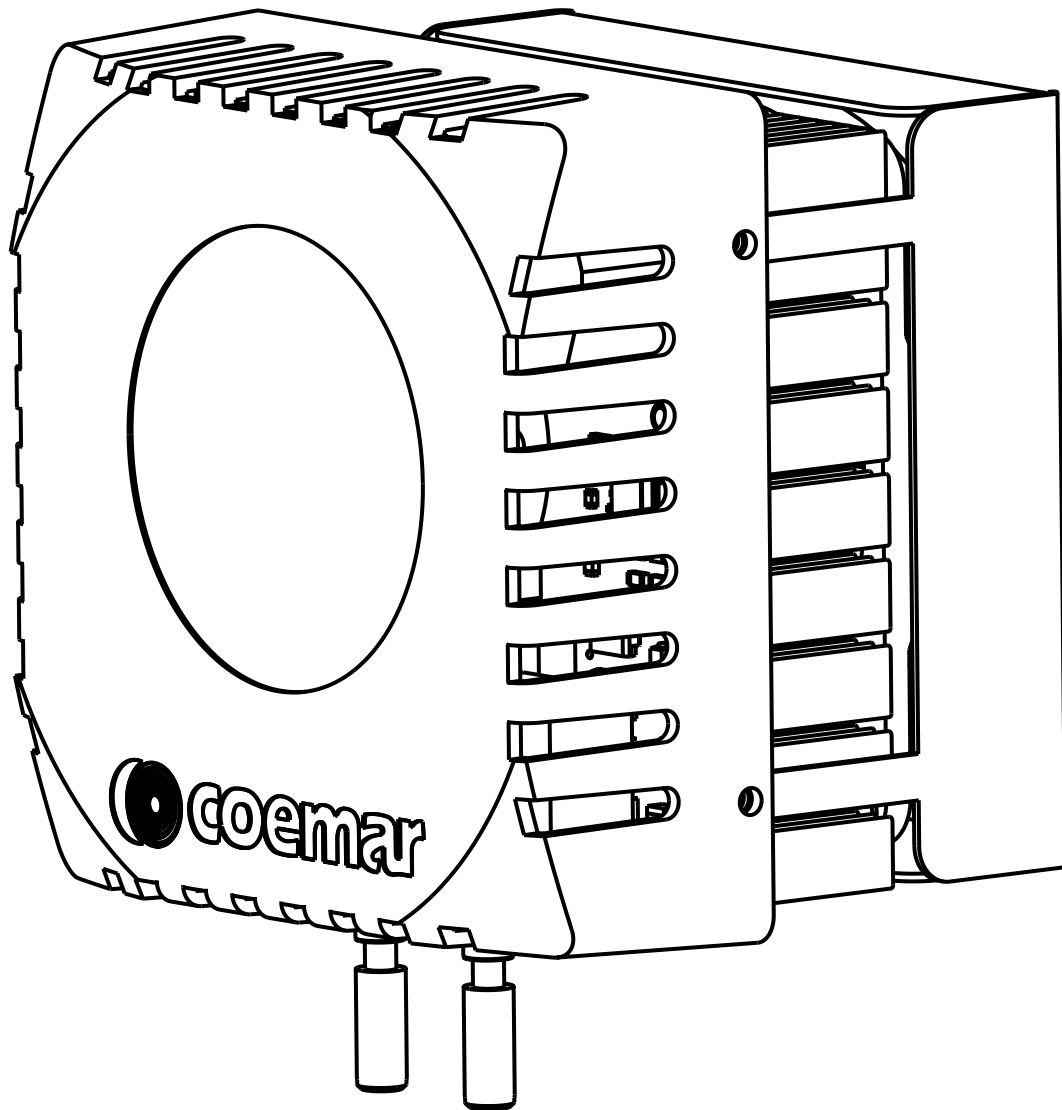


ReLite Led



ReLite Led

Serial Number:

.....

Purchase date:

.....

Dealer:

.....

Address:

.....

Suburb:

.....

Country:

.....

Phone / Fax:

.....

Please note in the space provided above the relative service information of the model and the retailer from whom you purchased your **ReLite Led**: this information will assist us in providing spare parts, repairs or in answering any technical enquiries with the utmost speed and accuracy.

WARNING: the security of the fixture is granted only if these instructions are strictly followed; therefore it is absolutely necessary to keep this manual.

Index

1. Packaging and transportation	Pag. 4
1.1 Packaging.....	Pag.4
1.2 Transportation	Pag. 4
2. General information	Pag. 4
2.1 Safety informations	Pag. 4
2.2 Warranty conditions	Pag. 5
2.3 EC norms	Pag. 5
3. Product specifications	Pag. 6
3.1 Technical characteristics	Pag. 6
3.2 Dimensions.....	Pag. 6
3.3 Unit's main components	Pag. 7
4. Installation	Pag. 8
4.1 Mechanical installation	Pag. 8
5. Powering up	Pag. 9
5.1 Operating voltage and frequency	Pag. 9
6. Turning on the ReLite Led	Pag. 9
7. Spare parts	Pag. 9
8. Maintenance	Pag. 10
8.1 Periodic cleaning	Pag. 10
8.2 Periodic control	Pag. 10
9. F.A.Q. and answers	Pag. 10
10. Usage warnings	Pag. 11

Congratulations on having purchased a **Coemar** product. You have assured yourself of a fixture of the highest quality, both in componentry and in the technology used. We renew our invitation to you to complete the service information on the previous page, to expedite any request for service information or spares (in case of problems encountered either during, or subsequent to, installation). This information will assist in providing prompt and accurate advice from your **Coemar** service centre. Following the instructions and procedures outlined in this manual will ensure the maximum efficiency of this product for years to come.

1. Packaging and transportation

1.1 Packaging

Open the packaging and make sure that no part of the equipment has suffered any damage during the transportation. In case of damage to the fixture, contact your carrier and your supplier immediately by telephone, fax or email, and inform them you will formally notify them in writing through registered letter.

Packing list

Make sure the packaging contains:

- 1 ReLite Led
- 1 Instruction manual

1.2 Transportation

The **ReLite Led** must be transported exclusively in its original packaging.

2. General information

2.1 Important Safety information

Fire prevention:



1. Never locate the fixture on any flammable surface.
2. Minimum distance from flammable materials: 0,5m.
3. Minimum distance from the closet illuminable surface: 0,5m.
4. Replace any blown or damaged fuse only with those of identical values. Refer to the schematic diagram if there is any doubt.
5. Connect the projector, where the **ReLite Led** is installed, to mains power protected by a thermal magnetic circuit breaker.

Prevention from electric shock:



1. Presence of high voltage inside of the fixture. Insulate the fixture from mains supply before opening or performing any function which involves touching the inside of the fixture, including lamp replacement.
2. For the connection to the mains, adhere strictly to the guidelines outlined in this manual.

3. The level of technology of **ReLite Led** requires the use of specialised personnel for all service applications; refer all work to your authorised **Coemar** service centre.
4. A good earth connection is essential for the proper functioning of the projector. Never connect the fixture if there is no earth connection.
5. Mains cables must not come into contact with other cables.
6. Do not operate the projector with wet hands or in an area where water is present.
7. The fixture must never be located in an exposed position, or in areas of extreme humidity.

Safety:



1. The external surfaces of the unit, at various points, may reach 60°C. Never handle the unit until at least 10 minutes have elapsed since the LED was turned off.
2. Never install the fixture in an enclosed area lacking sufficient air flow; the room temperature must not exceed 45°C.
3. The projector contains electronic and electrical components which must under no circumstances be in contact with water, oil or any other liquid. Failure to do so will compromise the proper functioning of the projector.

2.2 Warranty conditions

1. The fixture is under warranty for 36 months from the purchase date against factory defections.
2. Damage ought to unskillfulness, inappropriate use, or lack of suggested maintenance are excluded from the warranty.
3. Warranty expires when the projector is opened by unauthorized personnel.
4. Warranty doesn't include the replacement of the fixture.
5. Serial number and model of the fixture are necessary to retrieve informations and assistance from the dealer.

2.3 EC norms

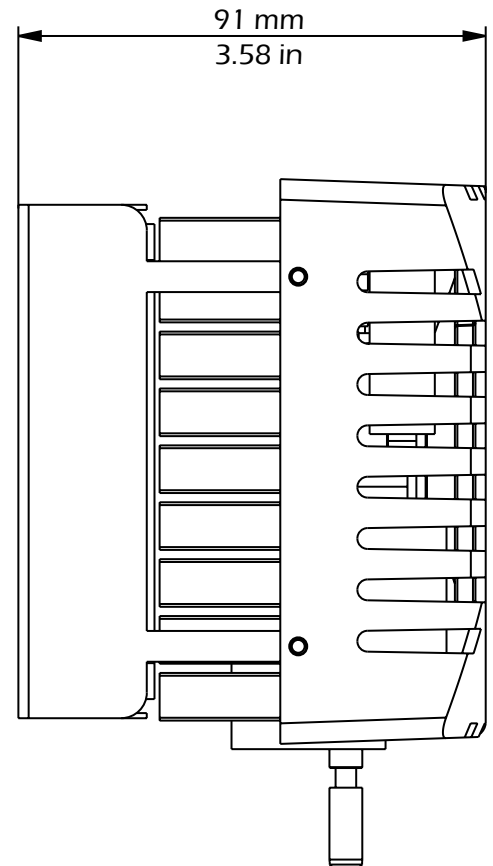
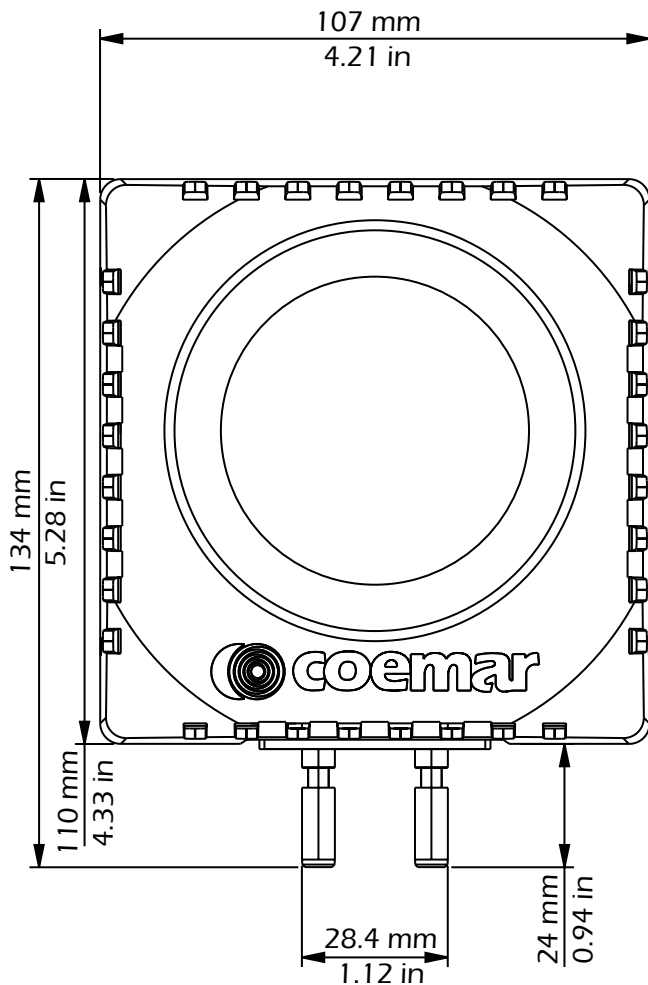
The projector meets all fundamental applicable EC requirements.

3. Product specifications

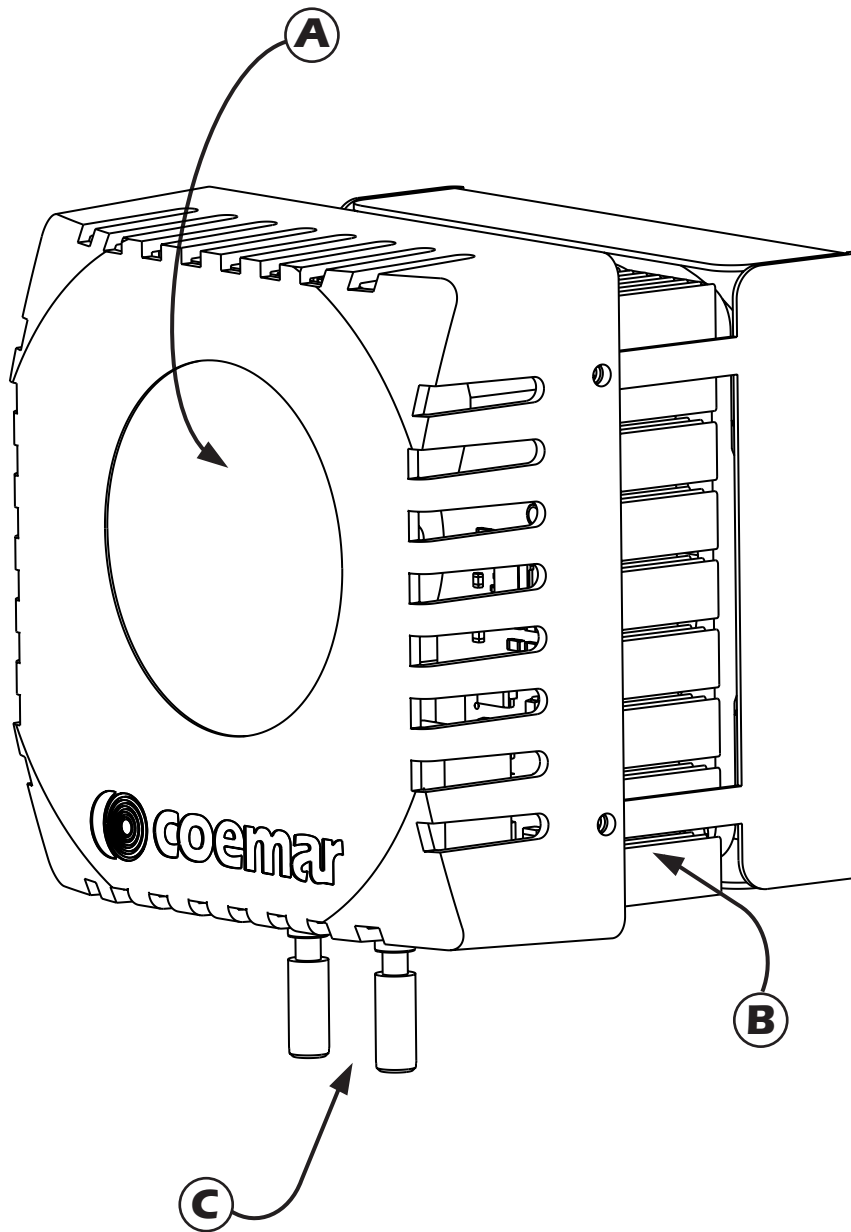
3.1 Technical characteristics

Power supply	110-230Vac, 50-60Hz
Maximum current	0.5 A (CRI 97) - 0.7 A (CRI 90) @ 230 Vac
Power factor	$\text{Cos}\phi = 0.98$
Power consumption	160 W (CRI 97 version) - 115 W (CRI 90 version)
Color temperature	Fixed white CCT at 3200 K or 5600 K
Weight	0.8 Kg (1.7 lbs.)
Operating Ta (°C/F) range	-20 to 45°C (-4 to 113°F) Thermal protection at 65°C/149°F
Connectors	G22 - GX9.5 - G38 - GY9.5 - GY16
Audio noise dbA	14
IP rating	IP20

3.2 Dimensions



3.3 Unit's main components



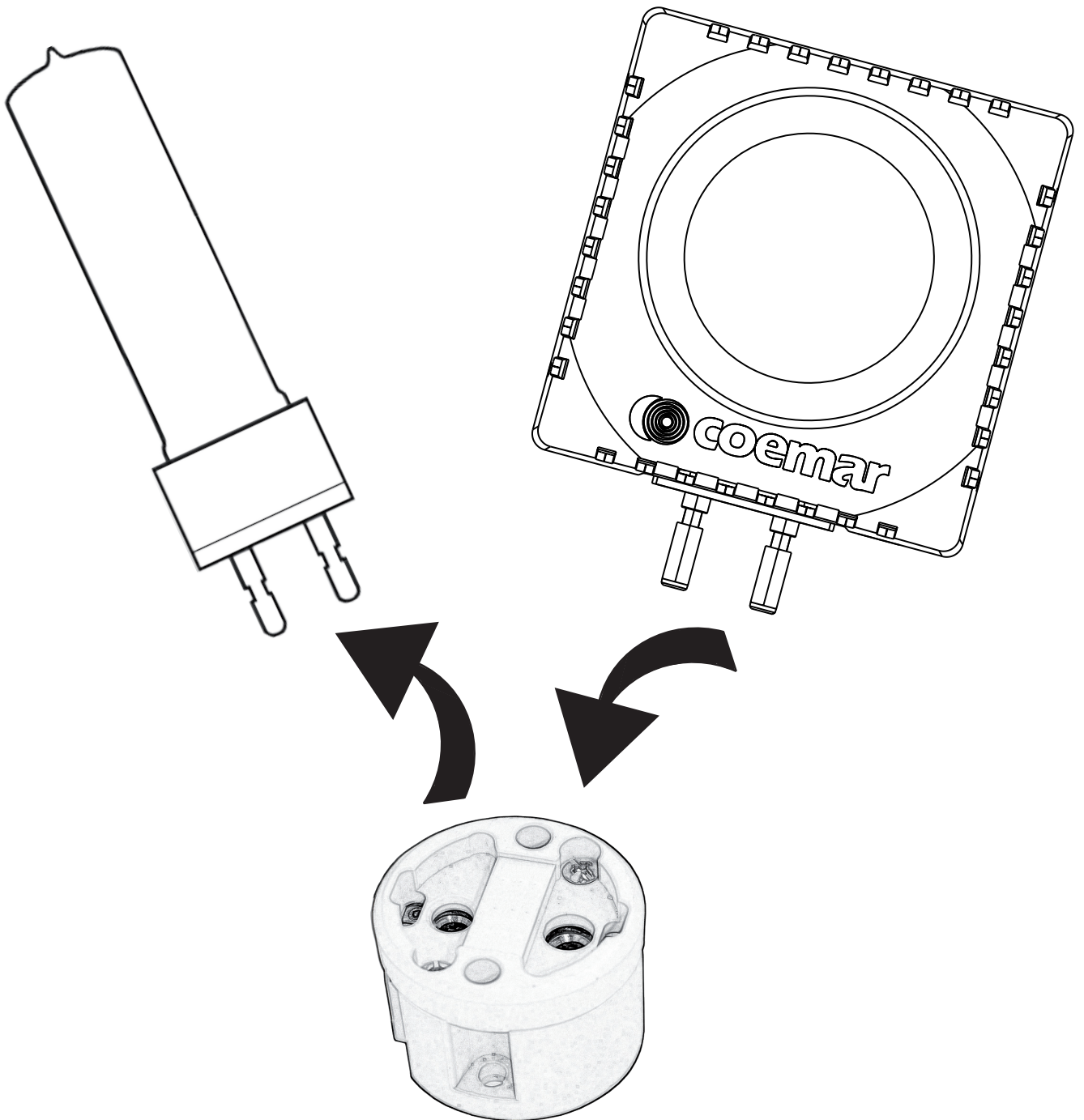
Components description

A	Led
B	Heatsink
C	Pin Base

4. Installation

4.1 Mechanical installation

With ReLite Led will be possible to give new life to your projector, simply replacing the old lamp with the ReLite Led.



5. Powering up

5.1 Operating voltage and frequency

The unit may operate at voltage ranges from 110 to 230 Vac at a frequency of 50 or 60 Hz. It is not needed to effect any setup procedures: **ReLite Led** will automatically adjust its operation to suit any frequency or voltage within this range.

Warning!!

- The use of a thermal/magnetic circuit breaker is recommended. Strict adherence to regulatory norms is strongly recommended.
- Ensure that the mains characteristics are within the recommended range for the use of **ReLite Led**.
- All connections should be carried out by a suitably qualified personnel.

6. Turning on the ReLite Led

After having followed the preceding steps described, proceed with the power supply and turn on the projector, in which is installed the **ReLite Led**, connecting it to the mains power.

7. Spare parts

All **ReLite Led**'s spare parts are available from your Coemar service centers. Specifying in detail the projector model and the replacement part requested, will help the service center to serve you in the best way.

8. Maintenance

8.1 Periodic cleaning

Front glass

Even a fine layer of dust can reduce the luminous output and alter the compactness of the beam. Regularly clean all filters and lenses using a soft cotton cloth, dampened with a specialist lens cleaning solution.

Cleaning of the unit

Use a soft brush or a common vacuum cleaner or a source of compressed air for removing dust. For the cleaning of the housing use a soft cloth and a non-aggressive cleaner. Check that the fan and heat exchanger must be perfectly clean.

8.2 Periodic controls

Mechanical components

Check the correct working of the mechanical parts and, if needed, replace them. Make sure the projector is not mechanically damaged. If necessary, replace the worn parts.

9. F.A.Q. and answers

The following list shows common issues that may be simply solved. If issues persist, the unit must be repaired by qualified personnel or just contact your **Coemar** service near you.

Question	Possible solution
ReLite Led does not emit light	Projector not powered: <ul style="list-style-type: none">• Make sure the power cord is plugged in or test the input voltage in the projector in which is installed ReLite Led;• Make sure the ReLite Led is well inserted into the socket.

10. Usage warnings

1. It is recommended to activate the preheat function through the power unit, in this way when the Led is off the fan will be on.
2. The strobe function is not allowed.
 - When the preheat is active the **ReLite's** shutdown and its ignition can not be less than one second, in case the preheat is not active, the shutdown and its ignition can not be less than four seconds.

User notes

.....

.....

.....

.....

.....

.....

.....

.....

.....

.....

.....

.....

.....

.....

.....

.....

.....

.....

.....

.....

.....

.....

.....

.....

.....

User notes

A series of horizontal dotted lines providing a writing area for user notes.



Information on disposal of the equipment

The equipment at the end of its useful life must be disposed of at an appropriate recycling center for waste electrical and electronic equipment. The treatment and disposal of environmentally friendly, helps prevent potential negative environmental and health and promote the reuse and / or recycling of materials making up the equipment. Illegal disposal by the user includes the application of administrative sanctions provided by law.



Coemar Lighting s.r.l.

Via Carpenedolo 90
46043 Castiglione delle Stiviere, Mantova, Italia
tel. +39 0376/1514412 - fax +39 0376/1514380
info@coemar.com

Coemar reserves the right to effect modifications without notification