

Technical Brochure

Preview



Risalto Led S (100 W)

Classical Series



Risalto Led S Fresnel / PC

KEY FEATURES

- Light source: 100 W Tungsten or Daylight COB LEDs
- CRI 90
- 13° - 75° proportional Zoom (with fresnel lens)
- Smooth 16 bit dimmer
- Guaranteed Flicker-free operation (DMX controlled PWM frequency)
- The fan setting allows three options: (low, auto, DMX regulated)
- Remote Device Management (RDM)



Risalto Led S

SPECIFICATIONS

Fixed white color temperature at 3200 K or 5600 K

Fresnel or PC lenses (diameter 120 mm / 4.7 in)

Zoom range from 13° to 75° (with fresnel lens)

Electronic 16 bit dimming with 3 selectable curves (exponential, logarithmic, linear)

Synchronized, random or pulse electronic strobe

Flicker-free operation with LEDs frequency controlled via DMX from 600 Hz to 19000 Hz

Fan setting with 3 different options (low, auto, DMX regulated)

Weatherproof rating IP 20

PHYSICAL SIZE

Length: 308 mm (12.13 in)

Width: 251 mm (9.88 in)

Height: 185 mm (7.28 in)

Height, with bracket: 288 mm (11.34 in)

Weight: 5.5 Kg (12.13 lbs)

LIGHT SOURCE

Modular 100 W COB LED, CRI 90

LEDs life: 20.000 hours at 70% lumen intensity maintenance

CONTROL PROTOCOL AND PROGRAMMING

USITT DMX512A

Setting, addressing, testing and measurements via LEDs display

Remote Device Management (RDM)

ELECTRICAL SPECIFICATIONS/CONNECTIONS

AC power: 90-230 V, auto sensing, 50/60 Hz

In and Out PowerCon connectors

Power consumption: 0.4 A at 230 V, 1.02 A at 90 V - $\cos\phi$ 0.95

DMX data in/out: 5 pin locking XLR

ACCESSORIES

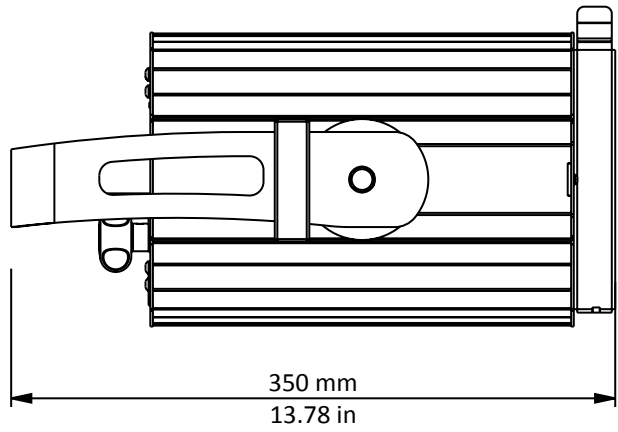
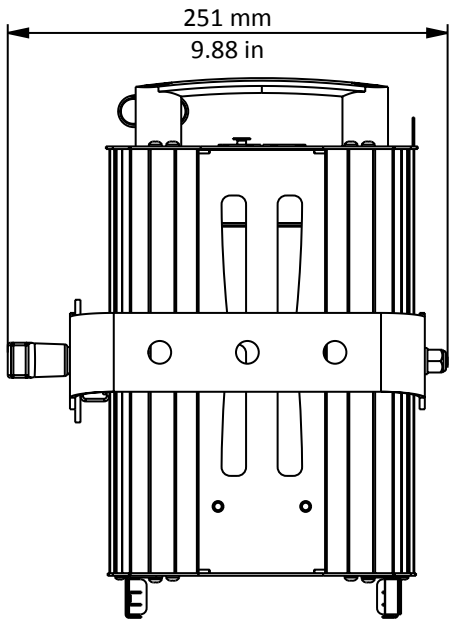
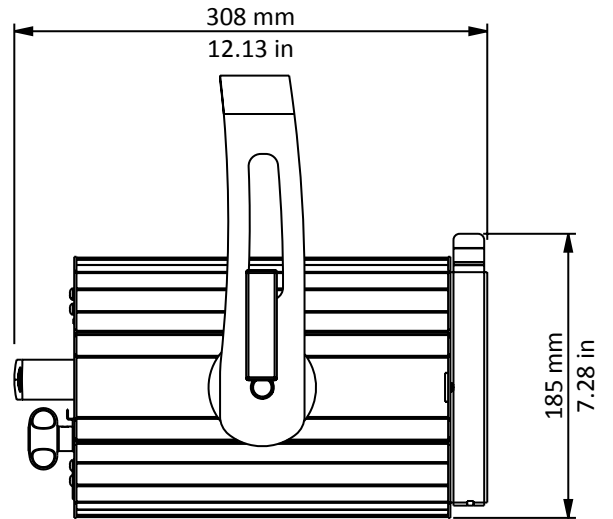
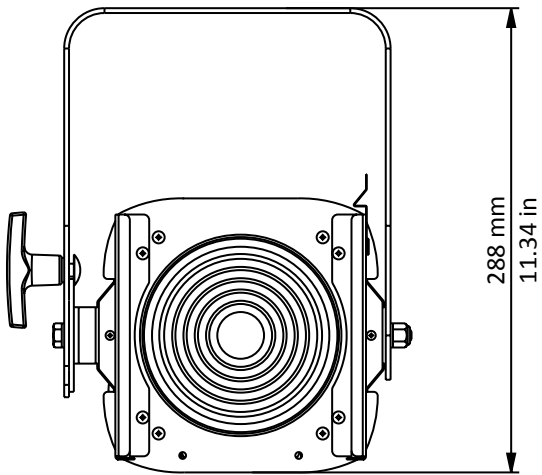
4-leaf barndoor (AC04201)



Rear panel

Risalto Led S Tungsten Fresnel - F034C000S / Risalto Led S Daylight Fresnel - F034D000S
Risalto Led S Tungsten PC - F034C000T / Risalto Led S Daylight PC - F034D000T

Risalto Led S - Drawing Size



DMX Chart 5 Channels	
channel	effect
1	Master dimmer
2	Spare channel
3	Dimmer fine
4	Strobe
5	Special functions

DMX Chart 1 Channels	
channel	effect
1	Master dimmer



Coemar Lighting S.r.l.

Via Carpenedolo, 90

46043 Castiglione delle Stiviere

Mantova - Italy

ph. +39 0376 1514412

fax +39 0376 1514380

www.coemar.com

info@coemar.com