

Technical Brochure

Preview



Risalto Led S (100W)
Risalto Led M (200W)
Risalto Led L (300W)

Classical Series



Risalto Led S

Fresnel / PC

KEY FEATURES

- Light source: 100W Tungsten or Daylight COB LEDs
- CRI 90
- 13°- 75° proportional Zoom (with fresnel lens)
- Smooth 16 bit dimmer
- Guaranteed Flicker-free operation (DMX controlled PWM frequency)
- The fan setting allows three options: (low, auto, DMX regulated)
- Remote Device Management (RDM)



Risalto Led S

SPECIFICATIONS

Fixed white color temperature at 3200 K or 5600 K

Fresnel or PC lenses

Zoom range from 13° to 75° (with fresnel lens)

Electronic 16 bit dimming with 3 selectable curves (exponential, logarithmic, linear)

Synchronized, random or pulse electronic strobe

Flicker-free operation with LEDs frequency controlled via DMX from 600 Hz to 19000 Hz

Fan setting with 3 different options (low, auto, DMX regulated)

Weatherproof rating IP 20

PHYSICAL SIZE

Length: 308 mm (12.13 in)

Width: 251 mm (9.88 in)

Height: 185 mm (7.28 in)

Height, with bracket: 288 mm (11.34 in)

Weight: 5.5 Kg (12.13 lbs)

LIGHT SOURCE

Modular 100W COB LED, CRI 90

LEDs life: 20.000 hours at 70% lumen intensity maintenance

CONTROL PROTOCOL AND PROGRAMMING

USITT DMX512A

Setting, addressing, testing and measurements via LEDs display

Remote Device Management (RDM)

ELECTRICAL SPECIFICATIONS/CONNECTIONS

AC power: 90-230 V, auto sensing, 50/60 Hz

In and Out PowerCon connectors

Power consumption: 0.4 A at 230 V, 1.02 A at 90 V - cosφ 0.95

DMX data in/out: 5 pin locking XLR

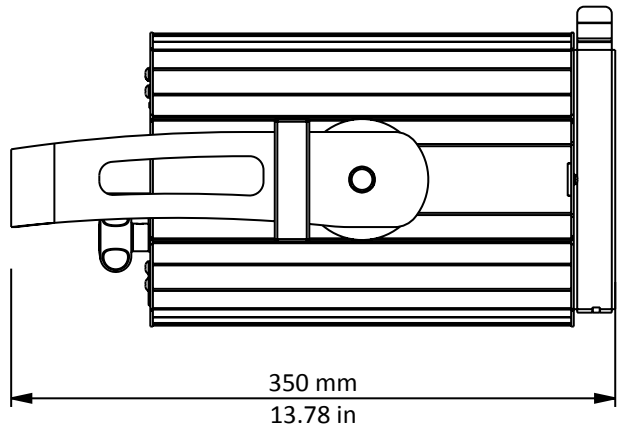
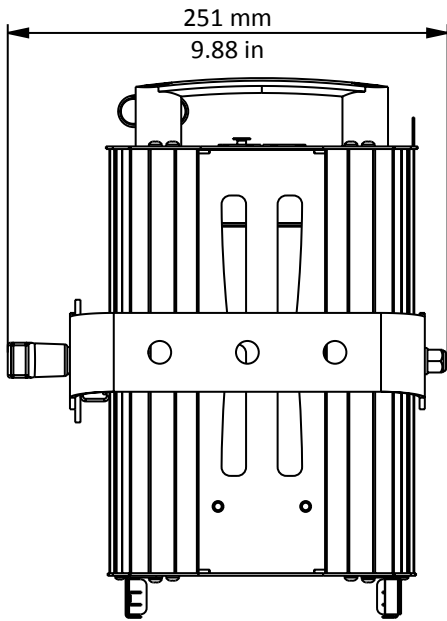
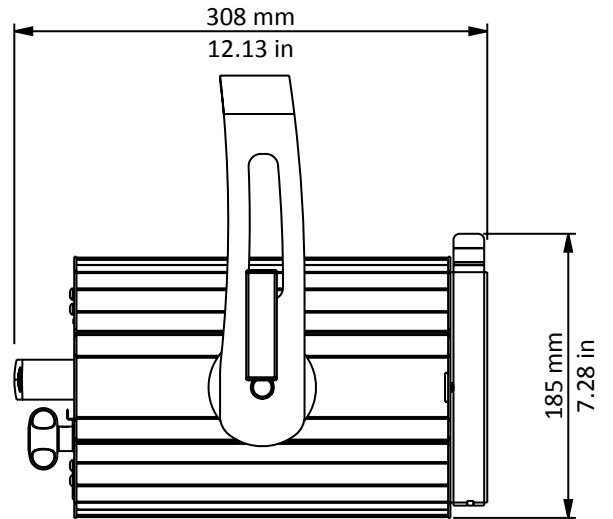
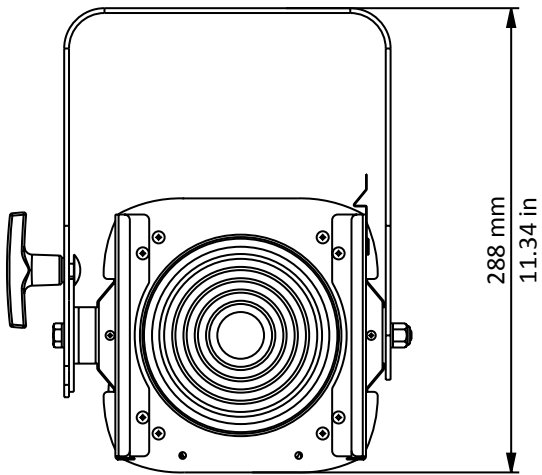
ACCESSORIES

4-leaf barndoor (AC04201)



Rear panel

Risalto Led S - Drawing Size





Risalto Led M

Fresnel / PC

KEY FEATURES

- Light source: 200W Tungsten or Daylight COB LEDs
- CRI 90
- 10°- 77° proportional Zoom (with fresnel lens)
- Smooth 16 bit dimmer
- Guaranteed Flicker-free operation (DMX controlled PWM frequency)
- The fan setting allows three options: (low, auto, DMX regulated)
- Remote Device Management (RDM)



Risalto Led M

SPECIFICATIONS

Fixed white color temperature at 3200 K or 5600 K

Fresnel or PC lenses

Zoom range from 10° to 77° (with fresnel lens)

Electronic 16 bit dimming with 3 selectable curves (exponential, logarithmic, linear)

Synchronized, random or pulse electronic strobe

Flicker-free operation with LEDs frequency controlled via DMX from 600 Hz to 19000 Hz

Fan setting with 3 different options (low, auto, DMX regulated)

Weatherproof rating IP 20

PHYSICAL SIZE

Length: 413 mm (16.26 in)

Width: 281 mm (11.06 in)

Height: 218 mm (8.58 in)

Height, with bracket: 348 mm (13.70 in)

Weight: 8.5 Kg (18.74 lbs)

LIGHT SOURCE

Modular 200W COB LED, CRI 90

LEDs life: 20.000 hours at 70% lumen intensity maintenance

CONTROL PROTOCOL AND PROGRAMMING

USITT DMX512A

Setting, addressing, testing and measurements via LEDs display

Remote Device Management (RDM)

ELECTRICAL SPECIFICATIONS/CONNECTIONS

AC power: 90-230 V, auto sensing, 50/60 Hz

In and Out PowerCon connectors

Power consumption: 0.87 A at 230 V, 2.22 A at 90 V - $\cos\phi$ 0.95

DMX data in/out: 5 pin locking XLR

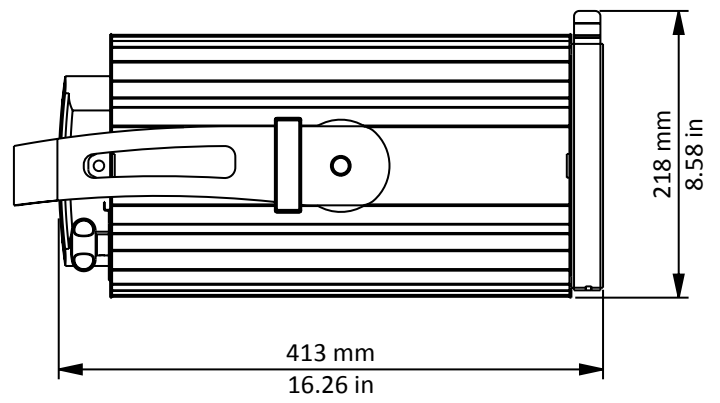
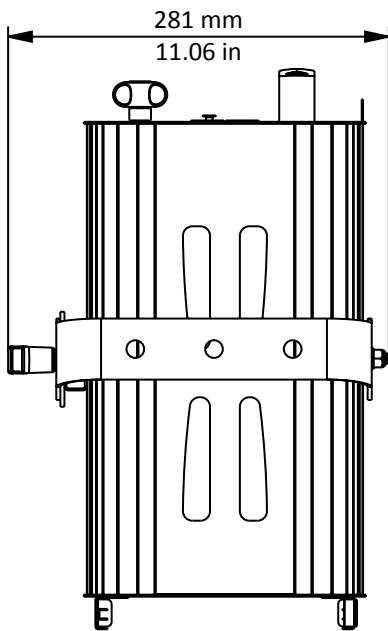
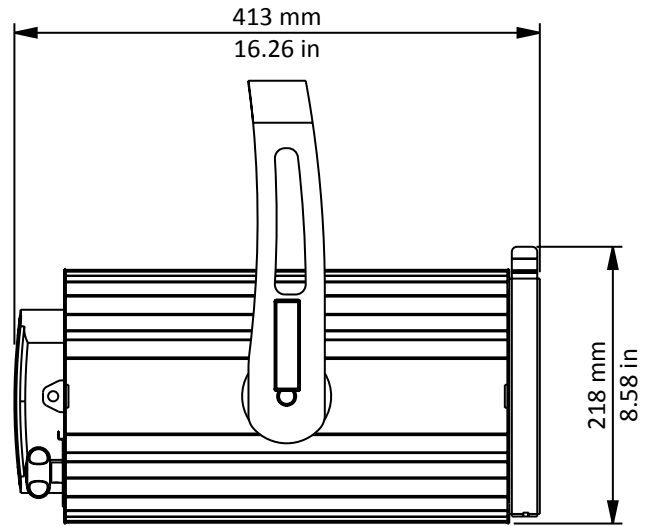
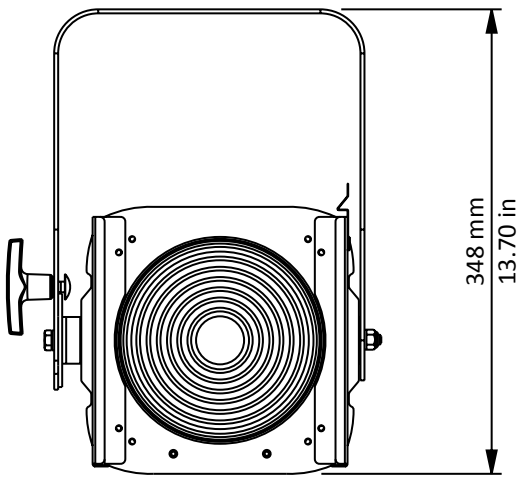
ACCESSORIES

4-leaf barndoor (AC04202)



Rear panel

Risalto Led M - Drawing Size





Risalto Led L Fresnel / PC

KEY FEATURES

- Light source: 300W Tungsten or Daylight COB LEDs
- CRI 90
- 10°- 75° proportional Zoom (with fresnel lens)
- Smooth 16 bit dimmer
- Guaranteed Flicker-free operation (DMX controlled PWM frequency)
- The fan setting allows three options: (low, auto, DMX regulated)
- Remote Device Management (RDM)



Risalto Led L

SPECIFICATIONS

Fixed white color temperature at 3200 K or 5600 K

Fresnel or PC lenses

Zoom range from 10° to 75° (with fresnel lens)

Electronic 16 bit dimming with 3 selectable curves (exponential, logarithmic, linear)

Synchronized, random or pulse electronic strobe

Flicker-free operation with LEDs frequency controlled via DMX from 600 Hz to 19000 Hz

Fan setting with 3 different options (low, auto, DMX regulated)

Weatherproof rating IP 20

PHYSICAL SIZE

Length: 526 mm (20.71 in)

Width: 337 mm (13.27 in)

Height: 275 mm (10.83 in)

Height, with bracket: 450 mm (17.72 in)

Weight: 11.5 Kg (25.4 lbs)

LIGHT SOURCE

Modular 300W COB LED, CRI 90

LEDs life: 20.000 hours at 70% lumen intensity maintenance

CONTROL PROTOCOL AND PROGRAMMING

USITT DMX512A

Setting, addressing, testing and measurements via LEDs display

Remote Device Management (RDM)

ELECTRICAL SPECIFICATIONS/CONNECTIONS

AC power: 90-230 V, auto sensing, 50/60 Hz

In and Out PowerCon connectors

Power consumption: 1.3 A at 230 V, 3.4 A at 90 V - $\cos\phi$ 0.95

DMX data in/out: 5 pin locking XLR

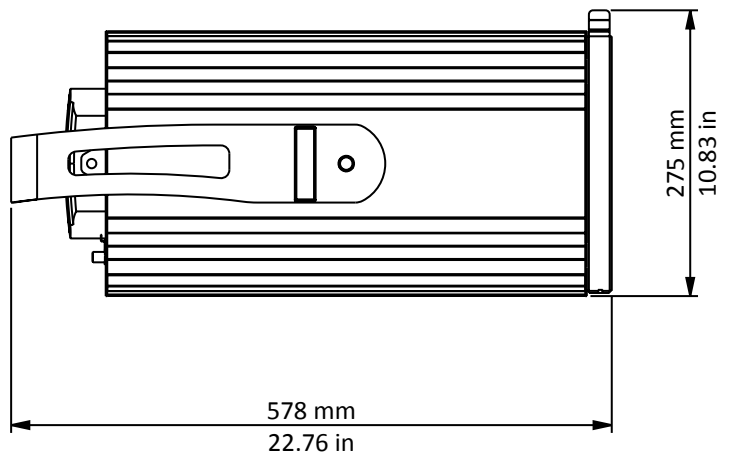
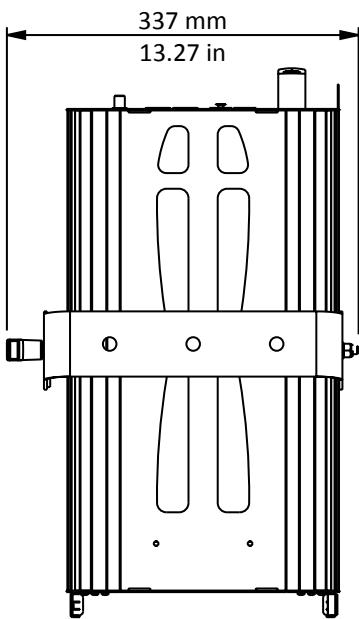
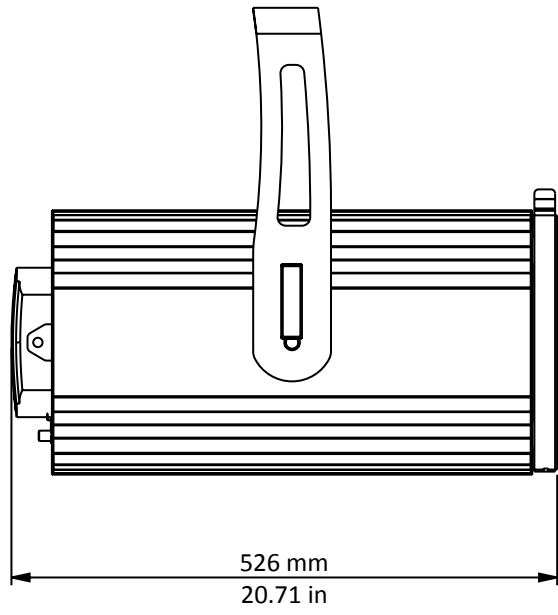
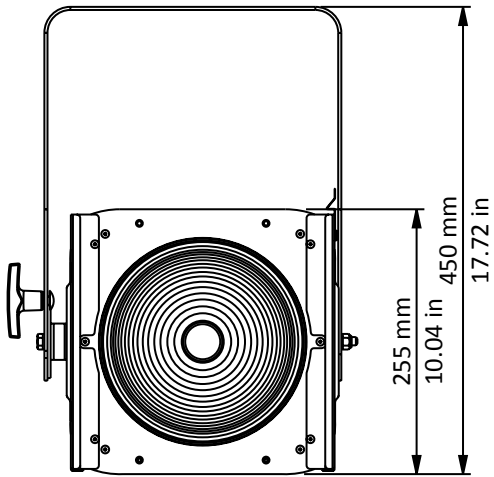
ACCESSORIES

4-leaf barndoor (AC04203)



Rear panel

Risalto Led L - Drawing Size

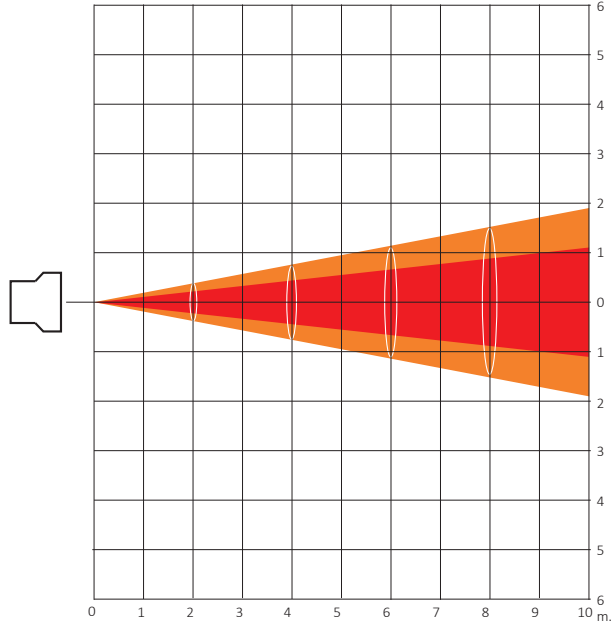


DMX Chart 5 Channels	
channel	effect
1	Master dimmer
2	Spare channel
3	Dimmer fine
4	Strobe
5	Special functions

DMX Chart 1 Channels	
channel	effect
1	Master dimmer

Zoom min

Distance (m.)	1	2	3	4	5	6	7	8	9	10
Luminous emittance (Lux)	40500	10125	4500	2531	1620	1125	827	633	500	405
1/2 peak angle θ (m.)	0.23	0.46	0.68	0.91	1.14	1.37	1.60	1.82	2.05	2.28
1/10 peak angle θ (m.)	0.37	0.74	1.11	1.48	1.85	2.22	2.59	2.97	3.34	3.71

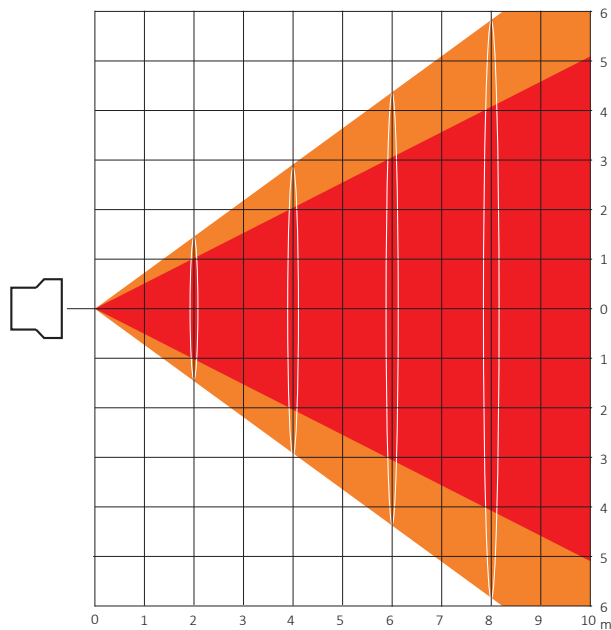


1/2 peak angle: 13°

1/10 peak angle: 21°

Zoom max

Distance (m.)	1	2	3	4	5	6	7	8	9	10
Luminous emittance (Lux)	7200	1800	800	450	288	200	147	113	89	72
1/2 peak angle θ (m.)	1.02	2.04	3.06	4.08	5.10	6.11	7.13	8.15	9.17	10.19
1/10 peak angle θ (m.)	1.53	3.07	4.60	6.14	7.67	9.21	10.74	12.28	13.81	15.35

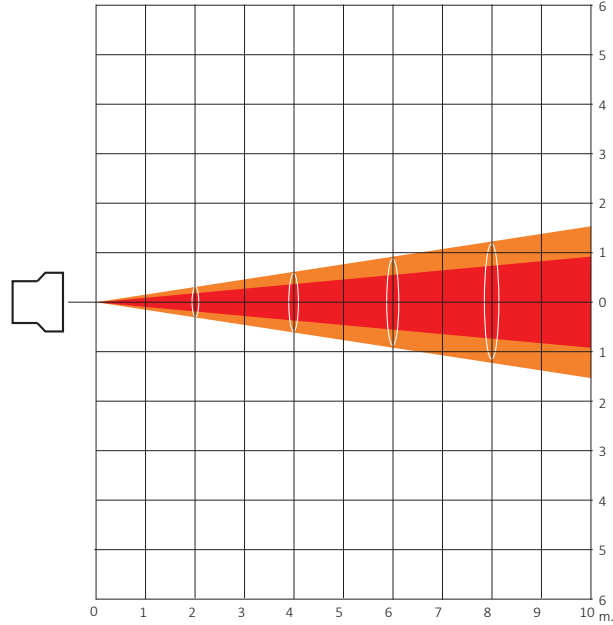


1/2 peak angle: 54°

1/10 peak angle: 75°

Zoom min

Distance (m.)	1	2	3	4	5	6	7	8	9	10
Luminous emittance (Lux)	131580	32895	14620	8224	5263	3655	2685	2056	1624	1316
1/2 peak angle θ (m.)	0.17	0.35	0.52	0.70	0.87	1.05	1.22	1.40	1.57	1.75
1/10 peak angle θ (m.)	0.30	0.60	0.90	1.20	1.49	1.79	2.09	2.39	2.69	2.99

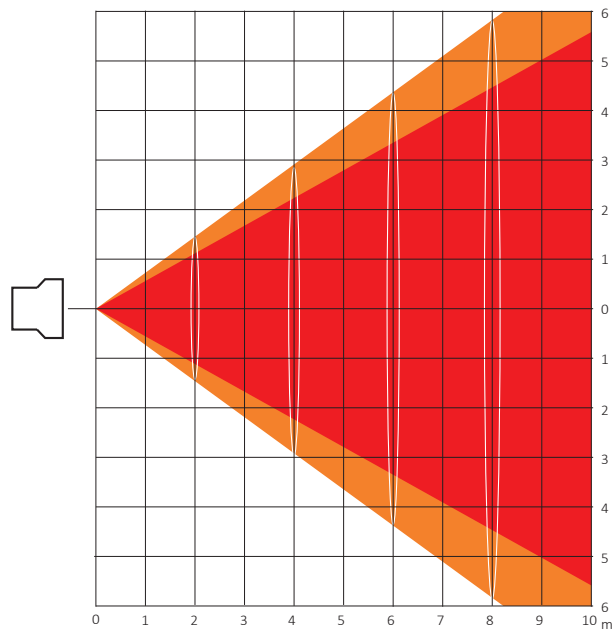


1/2 peak angle: 10°

1/10 peak angle: 17°

Zoom max

Distance (m.)	1	2	3	4	5	6	7	8	9	10
Luminous emittance (Lux)	13500	3375	1500	844	540	375	276	211	167	135
1/2 peak angle θ (m.)	1.15	2.31	3.46	4.62	5.77	6.93	8.08	9.24	10.39	11.55
1/10 peak angle θ (m.)	1.59	3.18	4.77	6.36	7.95	9.21	11.14	12.73	14.32	15.91



1/2 peak angle: 60°

1/10 peak angle: 77°



Coemar Lighting S.r.l.

Via Carpenedolo, 90
46043 Castiglione delle Stiviere
Mantova - Italy
ph. +39 0376 1514412
fax +39 0376 1514380

www.coemar.com
info@coemar.com