



LEDko EXT D with gobo rotator

Product code: F028F001A (CRI 80) | F028D001A (CRI 90)

KEY FEATURES

- Light source: modular Daylight COB LED
- IP rating: 65 (weatherproof)
- Dual gobo rotator engine included: two gobos can be used at the same time in counter-rotation to create dynamic effects such as water, fire, rain, etc. (controllable via DMX)
- Profile zoom from 14° to 35°
- Thick aluminum, long lasting light source in long lasting body
- No maintenance required



SPECIFICATIONS

- Fixed white CCT: 5.600 K
- Dual gobo rotator included
- IP rating: 65 (weatherproof)
- Profile zoom from 14° to 35°
- Electronic 16 bit dimming with 3 selectable curves (exponential, logarithmic, linear)
- Synchronized, random or pulse electronic strobe
- Flicker-free operation with LEDs frequency controlled via DMX from 600 to 19.000 Hz
- Fan setting with 2 different options (auto, silent)

LIGHT SOURCE

- Modular COB LED Daylight (CRI 80 - CRI 90)
- Average LED lifetime: a minimum of 80% of the initial luminous flux will be maintained after approx. 50.000 hours of usage (50.000 LM80)

PHYSICAL SIZE

- Length: 687.8 mm (27.07 in)
- Width: 252.6 mm (9.94 in)
- Height: 248 mm (7.0 in)
- Height with bracket: 405 mm (15.94 in)
- Weight: 14.0 Kg (30.8 lbs)

CONTROL PROTOCOL AND PROGRAMMING

- USITT DMX512A
- DMX channel: 8 / 4
- Setting, addressing, testing and measurements via LEDs display
- RDM (Remote Device Management)

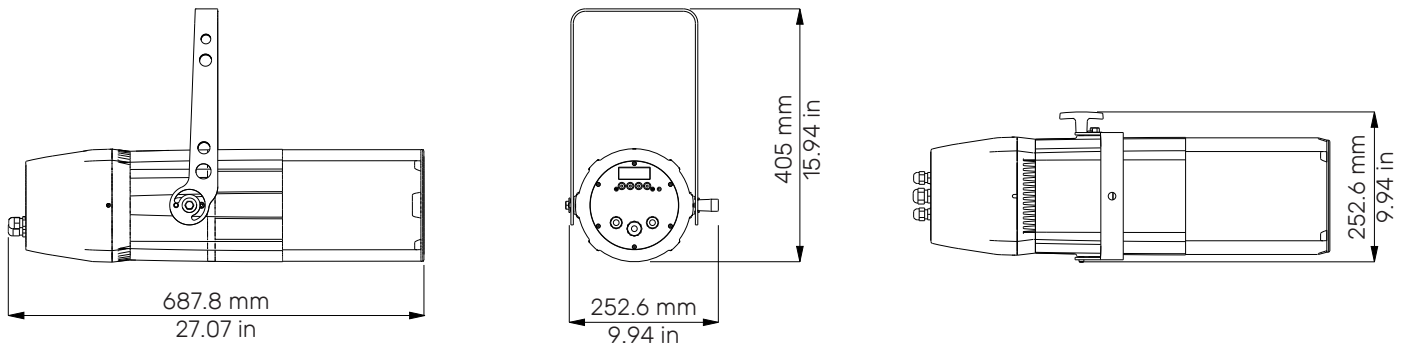
ELECTRICAL SPECIFICATIONS AND CONNECTIONS

- AC power: 90-230 V, auto-sensing, 50/60 Hz
- Internal cable without power plug
- Max power consumption: 200 W
- Power consumption: 0.88 A at 230 V, 2.25 A at 90 V - $\cos\phi$ 0.95
- DMX data in/out: 5 pin locking XLR

ACCESSORIES

- Four blade framing system, this accessory can be installed instead of the dual gobo rotator

DRAWING SIZE



DMX CHARTS

8 channels	
1	master dimmer
2	spare channel
3	dimmer fine
4	strobe effect
5	special function
6	gobo rotation speed
7	gobo 1 speed
8	gobo 2 speed

4 channels	
1	master dimmer
2	gobo rotation speed
3	gobo 1 speed
4	gobo 2 speed

PHOTOMETRIC DATA

The LEDko EXT Photometric Data may be downloaded from www.coemar.com.