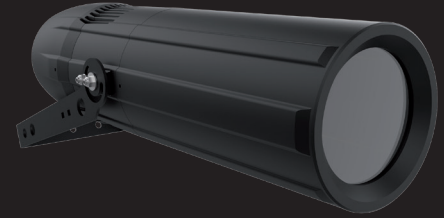




# LEDko EXT T / D with gobo rotator

## KEY FEATURES

- LED profile spot IP 65
- Tungsten or Daylight COB LED (CRI 80 - CRI 90)
- Dual gobo rotator included
- Profile zoom from 14° to 35°
- Electronic 16 bit dimming with 3 selectable curves (Exponential, Logarithmic and Linear)
- Fan setting with 2 different options (auto, DMX)
- Guaranteed flicker-free
- Four blade framing system available as accessory



## SPECIFICATIONS

- Fixed white CCT: 3.200 K or 5.600 K
- Dual gobo rotator included (standard gobo size B)
- IP rating: 65 (weatherproof)
- Profile zoom from 14° to 35° or from 10° to 25°
- Electronic 16 bit dimming with 3 selectable curves (exponential, logarithmic or linear)
- Synchronized, random or pulse electronic strobe
- Flicker-free operation with LEDs frequency controlled via DMX from 600 to 19.000 Hz
- Fan setting with 2 different options (auto, DMX)
- CE approved

## LIGHT SOURCE

- Tungsten or Daylight COB LED (CRI 80 - CRI 90)
- Average LED lifetime: a minimum of 80% of the initial luminous flux will be maintained after approx. 50.000 hours of usage (50.000 LM80)

## PHYSICAL SIZE (with 14°-35° Optic)

- Length: 687.8 mm (27.07 in)
- Width: 252.6 mm (9.94 in)
- Height: 185 mm (7.28 in)
- Height with bracket: 405 mm (15.94 in)
- Weight: 14.0 Kg (30.8 lbs)

## PHYSICAL SIZE (with 10°-25° Optic)

- Length: 807.7 mm (31.8 in)
- Width: 252.6 mm (9.94 in)
- Height: 185 mm (7.28 in)
- Height with bracket: 405 mm (15.94 in)
- Weight: 15.5 Kg (34.2 lbs)

## CONTROL PROTOCOL AND PROGRAMMING

- USITT DMX512A
- DMX channel: 8 / 4
- Setting, addressing, testing and measurements via LEDs display
- RDM (Remote Device Management)

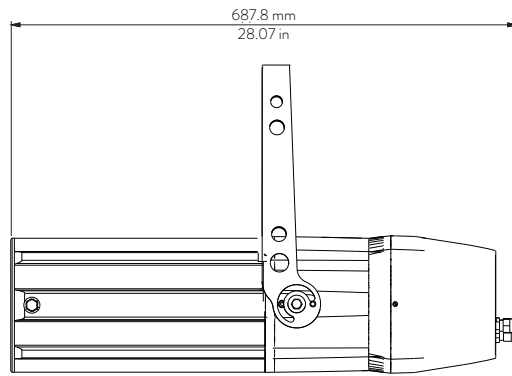
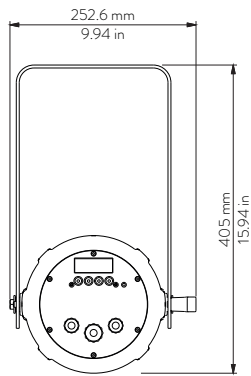
## ELECTRICAL SPECIFICATIONS AND CONNECTIONS

- AC power: 85-264 V, auto-sensing, 50/60 Hz
- Internal cable without power plug
- Max power consumption: 210 W
- Power consumption: 0.96 A at 230 V, 1.92 A at 115 V - cosφ 0,95
- DMX data in/out: 5 pin locking XLR

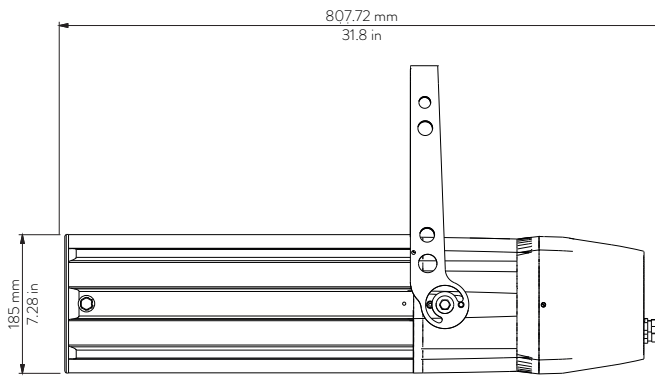
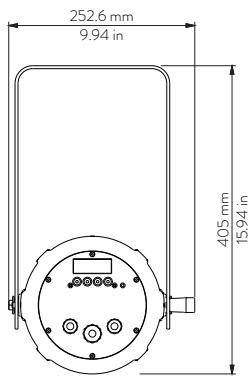
## ACCESSORIES

- Optics: Zoom 14°-35°, Zoom 10°-25°
- Four blade framing system, this accessory can be installed instead of the dual gobo rotator

## DRAWING SIZE



**LEDko EXT with 14°-35° Optic**



**LEDko EXT with 10°-25° Optic**

## DMX CHARTS

| 5 channels |                     |
|------------|---------------------|
| 1          | master dimmer       |
| 2          | spare channel       |
| 3          | dimmer fine         |
| 4          | strobe effect       |
| 5          | special function    |
| 6          | gobo rotation speed |
| 7          | speed gobo 1        |
| 8          | speed gobo 2        |

| 1 channel |                     |
|-----------|---------------------|
| 1         | master dimmer       |
| 2         | gobo rotation speed |
| 3         | speed gobo 1        |
| 4         | speed gobo 2        |

## PHOTOMETRIC DATA

The LEDko EXT Photometric Data may be downloaded from [www.coemar.com](http://www.coemar.com).