



Phantom FullSpectrum

KEY FEATURES

- Color mixing through 6 colors: Red, Green, Blue, Cyan, Lime, Amber
- 2700 K- 7500 K Continuously Variable Correlated Color Temperature with color rendering index greater than 90 (CRI Average > 95)
- Motorized zoom range from 14° to 84°
- Green-Magenta Adjustment
- Flicker-free operations with LEDs frequency controlled via DMX from 600 Hz to 19000 Hz
- PowerCon In/Out
- Fan setting with 4 different options (low, auto, studio, DMX regulated)



Phantom FullSpectrum

SPECIFICATIONS

Red, Green, Blue, Cyan, Lime, Amber color mixing

CCT: all whites from 2700 to 7500 K

Fresnel lens (diameter: 200 mm / 7.87 in)

Motorized zoom range from 14° to 84°

Electronic 16 bit dimming with 3 selectable curves (exponential, logarithmic, linear)

Synchronized, random or pulse electronic strobe

Flicker-free operation with LEDs frequency controlled via DMX from 600 Hz to 19000 Hz

Fan setting with 4 different options (low, auto, studio, DMX regulated)

Weatherproof rating IP 20

PHYSICAL SIZE

Length: 579 mm (22.8 in)

Width: 325 mm (12.79 in)

Height: 318 mm (12.5 in)

Height, with bracket: 458 mm (18.03 in)

Weight: 12 Kg (26.4 lbs)

LIGHT SOURCE

Modular multiple LEDs, CRI Average > 95

LEDs life: 20.000 hours at 70% lumen intensity maintenance

CONTROL PROTOCOL AND PROGRAMMING

USITT DMX512A

DMX Channels: 18/9/7/3

Setting, addressing, testing and measurements via LEDs display

Remote Device Management (RDM)

ELECTRICAL SPECIFICATIONS/CONNECTIONS

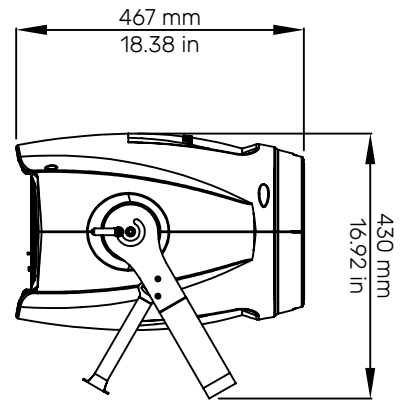
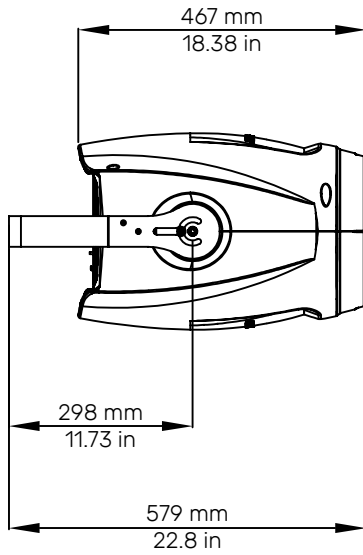
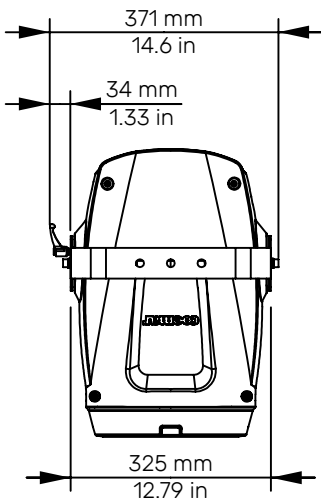
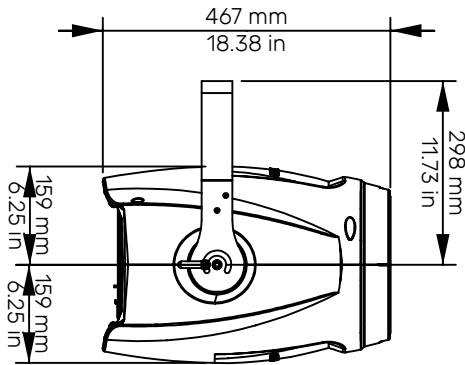
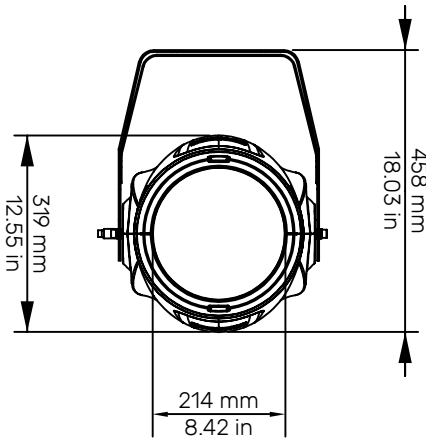
AC power: 90-230 V, auto sensing, 50/60 Hz

Max power consumption: 330 W

Power consumption: 1.44 A at 230 V, 3.70 A at 90 V- $\cos\phi$ 0.99

In and Out PowerCon connectors

DMX data in/out: 5 pin locking XLR



DMX Chart 18 Channels

channel	effect
1	Master dimmer
2	Red
3	Green
4	Blue
5	Cyan
6	Lime
7	Amber
8	Strobe effect
9	Dimmer fine
10	Special function
11	Red tone
12	Green tone
13	Blue tone
14	White tone
15	Green saturation
16	Saturation
17	Zoom
18	Motor reset

DMX Chart 7 Channels

channel	effect
1	Master dimmer
2	White tone
3	Green saturation
4	Dimmer fine
5	Special function
6	Zoom
7	Motor reset

DMX Chart 3 Channels

channel	effect
1	Master dimmer (color temperature settable by display)
2	Zoom
3	Motor reset

DMX Chart 9 Channels

channel	effect
1	Master dimmer
2	Red
3	Green
4	Blue
5	Cyan
6	Lime
7	Amber
8	Zoom
9	Motor reset



Coemar Lighting S.r.l.

Via Carpenedolo, 90

46043 Castiglione delle Stiviere

Mantova - Italy

ph. +39 0376 1514412

fax +39 0376 1514380

www.coemar.com

info@coemar.com