



Phantom Tunable Daylight

KEY FEATURES

- Daylight Tunable allows for fine-tuning of the daylight color temperature from 5400 K to 6000 K
- CRI Average > 93
- Motorized zoom range from 10° to 70°
- Green-Magenta Adjustment: Continuously Adjustable (Full Minusgreen to Full Plusgreen)
- Flicker-free operations with LEDs frequency controlled via DMX from 600 Hz to 19000 Hz
- Fan setting with 4 different options (low, auto, studio, DMX regulated)



Phantom Tunable Daylight

SPECIFICATIONS

RGB+W color mixing

CCT: all whites from 5400 to 6000 K

Fresnel lens (diameter: 200 mm / 7.87 in)

Green-Magenta Adjustment: Continuously Adjustable (Full Minusgreen to Full Plusgreen)

Electronic 16 bit dimming with 3 selectable curves (exponential, logarithmic, linear)

Synchronized, random or pulse electronic strobe

Flicker-free operation with LEDs frequency controlled via DMX from 600 Hz to 19000 Hz

Fan setting with 4 different options (low, auto, studio, DMX regulated)

Weatherproof rating IP 20

PHYSICAL SIZE

Length: 579 mm (22.8 in)

Width: 325 mm (12.79 in)

Height: 318 mm (12.5 in)

Height, with bracket: 458 mm (18.03 in)

Weight: 12 Kg (26.4 lbs)

LIGHT SOURCE

Modular RGBW LEDs, CRI Average > 93

LEDs life: 20.000 hours at 70% lumen intensity maintenance

CONTROL PROTOCOL AND PROGRAMMING

USITT DMX512A

DMX channel: 13

Setting, addressing, testing and measurements via LEDs display

Remote Device Management (RDM)

ELECTRICAL SPECIFICATIONS/CONNECTIONS

AC power: 90-230 V, auto sensing, 50/60 Hz

Max power consumption: 220W

Power consumption: 1.02 A at 230 V, 2.63 A at 90 V- cosφ 0.93

In and Out PowerCon connectors

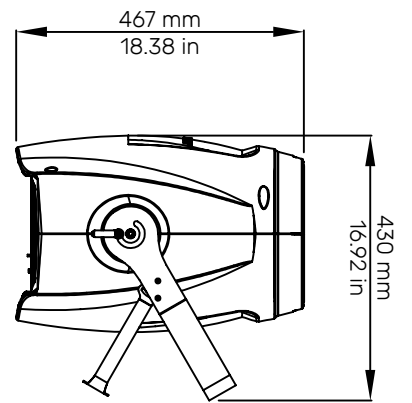
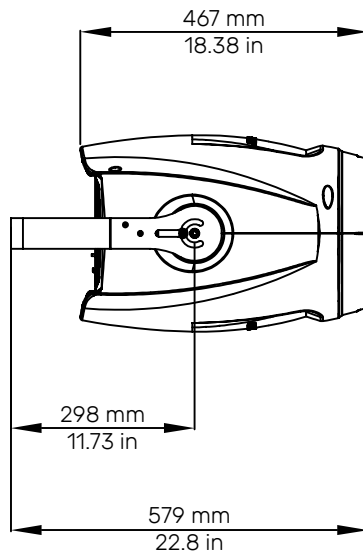
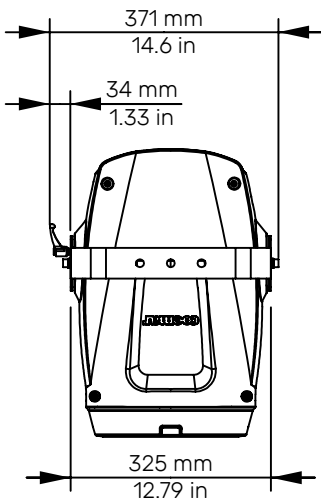
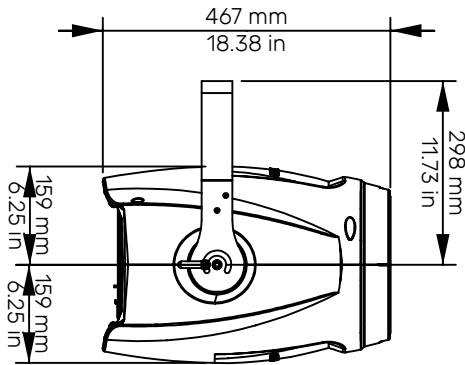
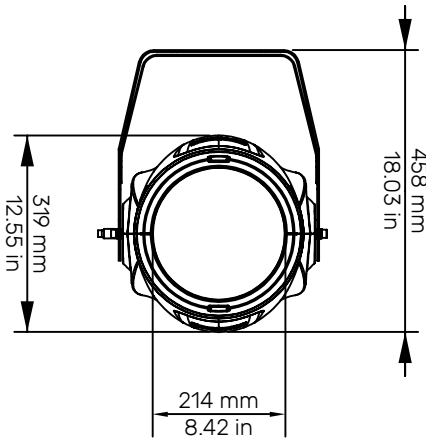
DMX data in/out: 5 pin locking XLR

ACCESSORIES

Pole operated yoke

4-leaf barndoor

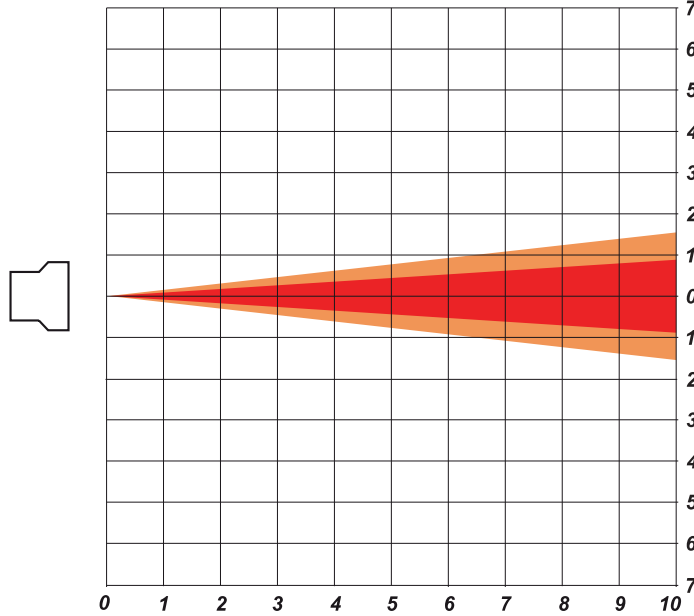
Color frame holder



DMX Chart 13 Channels	
channel	effect
1	Master dimmer
2	Dimmer fine
3	White tone
4	Green saturation
5	LED mode
6	Red
7	Green
8	Blue
9	White
10	Strobe
11	Special functions
12	Zoom
13	Motor reset

Zoom min.

Distance (m.)	1	2	3	4	5	6	7	8	9	10
Luminous emittance (Lux)	175500	43875	19500	10969	7020	4875	3582	2742	2167	1755
1/2 peak angle Ø m.	0.17	0.35	0.52	0.70	0.87	1.05	1.22	1.40	1.57	1.75
1/10 peak angle Ø m.	0.30	0.60	0.90	1.20	1.49	1.79	2.09	2.39	2.69	2.99

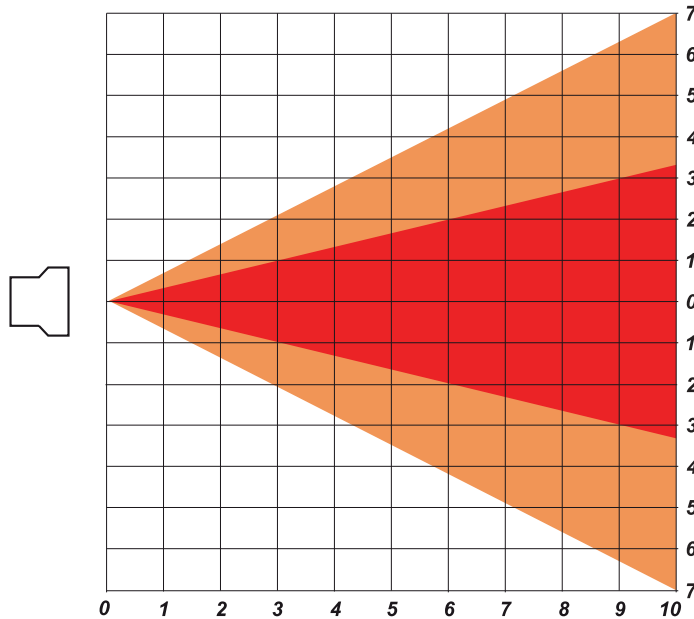


1/2 peak angle: 10°

1/10 peak angle: 17°

Zoom max.

Distance (m.)	1	2	3	4	5	6	7	8	9	10
Luminous emittance (Lux)	25470	6368	2830	1592	1019	708	520	398	314	255
1/2 peak angle Ø m.	0.65	1.30	1.95	2.60	3.25	3.90	4.55	5.20	5.85	6.50
1/10 peak angle Ø m.	1.40	2.80	4.20	5.60	7.00	8.40	9.80	11.20	12.60	14.00



1/2 peak angle: 36°

1/10 peak angle: 70°



Coemar Lighting S.r.l.

Via Carpenedolo, 90

46043 Castiglione delle Stiviere

Mantova - Italy

ph. +39 0376 1514412

fax +39 0376 1514380

www.coemar.com

info@coemar.com