



# Phantom VariWhite

## KEY FEATURES

- 2800 K- 6500 K Continuously Variable Correlated Color Temperature
- CRI Average > 94
- Motorized zoom range from 12° to 93°
- Flicker-free operations with LEDs frequency controlled via DMX from 600 Hz to 19000 Hz
- PowerCon In/Out
- Fan setting with 4 different options (low, auto, studio, DMX regulated)



## Phantom VariWhite

### SPECIFICATIONS

Proportional control of white color temperature from 2800 to 6500 K

Fresnel lens (diameter: 200 mm / 7.87 in)

Motorized zoom range from 12° to 93°

Electronic 16 bit dimming with 3 selectable curves (exponential, logarithmic, linear)

Synchronized, random or pulse electronic strobe

Flicker-free operation with LEDs frequency controlled via DMX from 600 Hz to 19000 Hz

Fan setting with 4 different options (low, auto, studio, DMX regulated)

Weatherproof rating IP 20

### PHYSICAL SIZE

Length: 579 mm (22.8 in)

Width: 325 mm (12.79 in)

Height: 318 mm (12.5 in)

Height, with bracket: 458 mm (18.03 in)

Weight: 12 Kg (26.4 lbs)

### LIGHT SOURCE

Modular multiple LEDs, CRI92 at 3200 K - CRI95 at 5600 K

LEDs life: 20.000 hours at 70% lumen intensity maintenance

### CONTROL PROTOCOL AND PROGRAMMING

USITT DMX512A

DMX channels: 8/3

Setting, addressing, testing and measurements via LEDs display

Remote Device Management (RDM)

### ELECTRICAL SPECIFICATIONS/CONNECTIONS

AC power: 90-230 V, auto sensing, 50/60 Hz

Max power consumption: 230W

Power consumption: 1.02 A at 230 V, 2.60 A at 90 V -  $\cos\phi$  0.98

In and Out PowerCon connectors

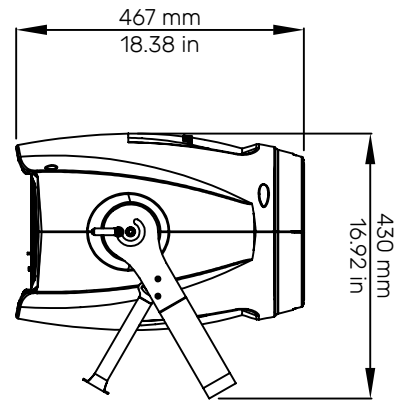
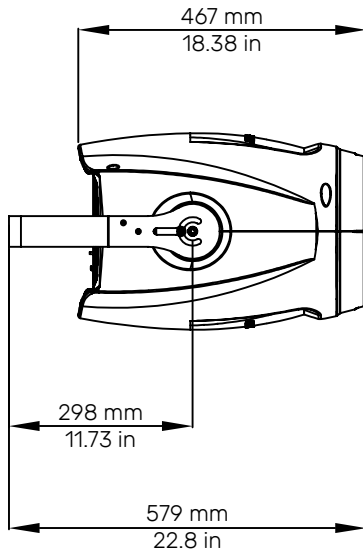
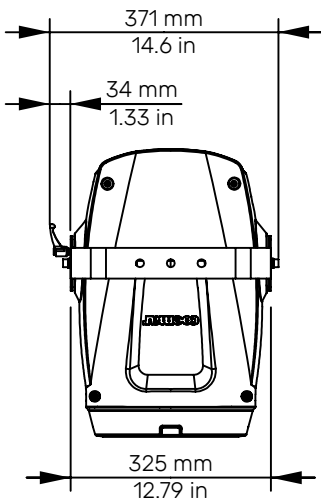
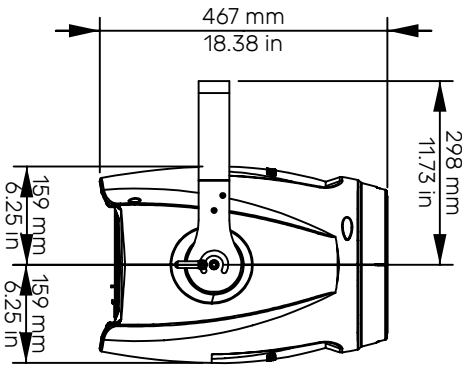
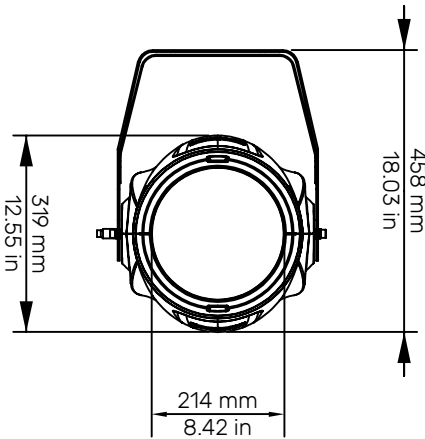
DMX data in/out: 5 pin locking XLR

### ACCESSORIES

Pole operated yoke

4-leaf barndoor

Color frame holder

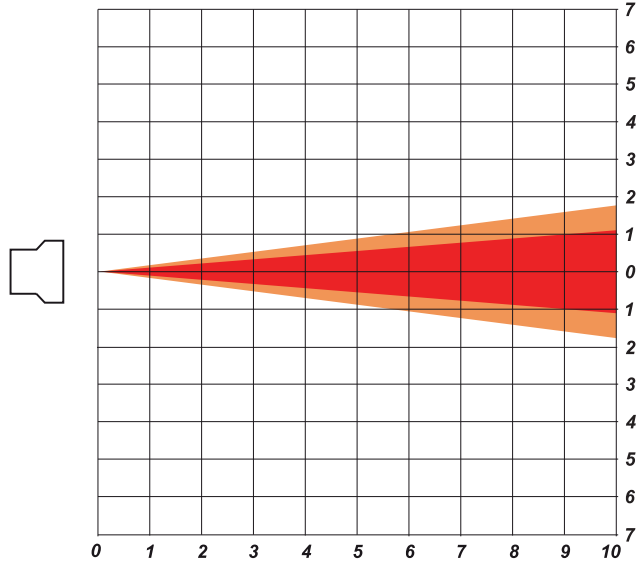


DMX Chart 8 Channels	
channel	effect
1	Master dimmer
2	Dimmer fine
3	White tone
4	White temperature fine
5	Strobe
6	Special functions
7	Zoom
8	Motor reset

DMX Chart 3 Channels	
channel	effect
1	Master dimmer
2	Zoom
3	Motor reset

**Zoom min.**

Distance (m.)	1	2	3	4	5	6	7	8	9	10
Luminous 3200 K	104850	26213	11650	6553	4194	2913	2140	1638	1294	1049
emittance (Lux) 5600 K	129780	32445	14420	8111	5191	3605	2649	2028	1602	1298
1/2 peak angle Ø m.	0.21	0.42	0.63	0.84	1.05	1.26	1.47	1.68	1.89	2.10
1/10 peak angle Ø m.	0.37	0.74	1.11	1.48	1.85	2.22	2.59	2.97	3.34	3.71

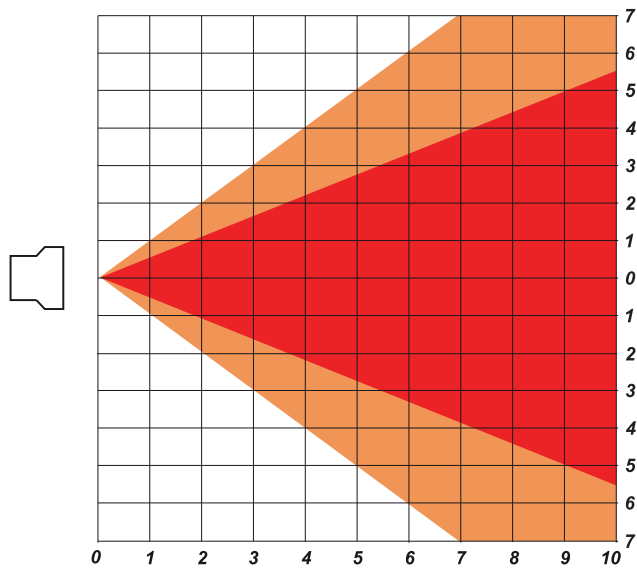


**1/2 peak angle: 12°**

**1/10 peak angle: 21°**

**Zoom max.**

Distance (m.)	1	2	3	4	5	6	7	8	9	10
Luminous 3200 K	9054	2264	1006	566	362	252	185	141	112	91
emittance (Lux) 5600 K	11232	2808	1248	702	449	312	229	176	139	112
1/2 peak angle Ø m.	1.11	2.22	3.33	4.43	5.54	6.65	7.76	8.87	9.98	11.09
1/10 peak angle Ø m.	2.11	4.22	6.32	8.43	10.54	12.65	14.75	16.86	18.97	21.08



**1/2 peak angle: 58°**

**1/10 peak angle: 93°**



**Coemar Lighting S.r.l.**

Via Carpenedolo, 90

46043 Castiglione delle Stiviere

Mantova - Italy

ph. +39 0376 1514412

fax +39 0376 1514380

[www.coemar.com](http://www.coemar.com)

[info@coemar.com](mailto:info@coemar.com)