



Phantom Tunable Tungsten

Product code: F036S000P

KEY FEATURES

- Tungsten Tunable allows for fine-tuning of the tungsten color temperature from 2700 K to 4100 K
- CRI Average > 93
- Motorized zoom range from 10° to 70°
- Green-Magenta Adjustment: Continuously Adjustable (Full Minusgreen to Full Plusgreen)
- Flicker-free operations with LEDs frequency controlled via DMX from 600 Hz to 19000 Hz
- Fan setting with 4 different options (low, auto, studio, DMX regulated)



SPECIFICATIONS

- RGB+W color mixing
- CCT: all whites from 2700 to 4100 K
- Fresnel lens (diameter: 200 mm / 7.87 in)
- Green-Magenta Adjustment: Continuously Adjustable (Full Minusgreen to Full Plusgreen)
- Electronic 16 bit dimming with 3 selectable curves (exponential, logarithmic, linear)
- Synchronized, random or pulse electronic strobe
- Flicker-free operation with LEDs frequency controlled via DMX from 600 Hz to 19000 Hz
- Fan setting with 4 different options (low, auto, studio, DMX regulated)
- Weatherproof rating IP 20

LIGHT SOURCE

- Modular RGBW LEDs, CRI Average > 93
- LEDs life: 20.000 hours at 70% lumen intensity maintenance

PHYSICAL SIZE

- Length: 579 mm (22.8 in)
- Width: 325 mm (12.79 in)
- Height: 318 mm (12.5 in)
- Height, with bracket: 458 mm (18.03 in)
- Weight: 12 Kg (26.4 lbs)

CONTROL PROTOCOL AND PROGRAMMING

- USITT DMX512A
- DMX Channels: 13
- Setting, addressing, testing and measurements via LEDs display
- Remote Device Management (RDM)

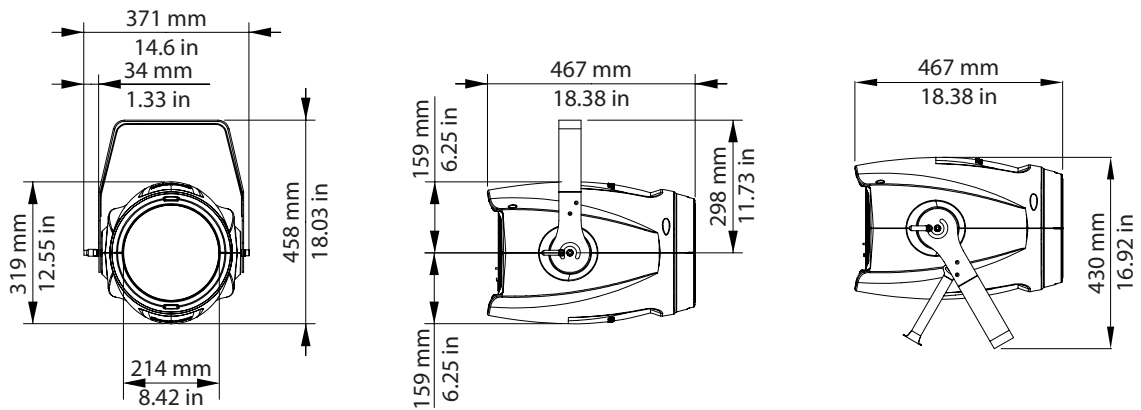
ELECTRICAL SPECIFICATIONS AND CONNECTIONS

- AC power: 90-230 V, auto sensing, 50/60 Hz
- Max power consumption: 220 W
- Power consumption: 1.02 A at 230 V, 2.63 A at 90 V - cosφ 0.93
- In and Out PowerCon connectors
- DMX data in/out: 5 pin locking XLR

ACCESSORIES

- Pole operated yoke
- 4-leaf barndoor
- Color frame holder

DRAWING SIZE



DMX CHARTS

13 channels	
1	master dimmer
2	dimmer fine
3	white tone
4	green saturation
5	led mode
6	red
7	green
8	blue
9	white
10	strobe
11	special function
12	zoom
13	motor reset