



# LEDko FullSpectrum 6 HD

Product code: F012Q000A

## KEY FEATURES

- Red, Green, Blue, White, Lime, Amber light source, 20 bit color mixing
- New LCD display with additional buttons for quick settings of the main functions
- Smooth 16 bit dimmer (4 different curves selectable digitally processed at 20 bit)
- Guaranteed flicker-free operation (20.000 Hz LED refresh rate)
- 2.700 - 6.500 K continuously variable correlated color temperature with color rendering index greater than 90 (CRI > 90)
- Preset and customizable color libraries
- Fresnel and PC zoom lenses available



## SPECIFICATIONS

- 20 bit color mixing through 6 colors: Red, Green, Blue, White, Lime, Amber
- CCT: all whites from 2.700 to 6.500 K
- Customization of the preset color libraries
- Green-Magenta adjustment: continuously adjustable from full minus-green to full plus-green
- Four blade framing system, each shutter blade is adjustable for radial position and angle
- Guaranteed flicker-free operation (20.000 Hz LED refresh rate)
- 16 bit dimming electronics with 4 selectable curves (exponential, logarithmic, linear and halo) digitally processed at 20 bit
- Synchronized, random or pulse electronic strobe
- Fan setting with 4 different options (low, auto, studio, DMX regulated)
- Cooling system digitally controlled in real time in all its parameters
- IP rating: 20

## LIGHT SOURCE

- Modular multiple RGBWLA LEDs (CRI > 90)
- Average LED lifetime: a minimum of 80% of the initial luminous flux will be maintained after approx. 50.000 hours of usage (50.000 LM80)

## PHYSICAL SIZE

- Length: 362 mm (14.2 in)
- Length with optic Profile Zoom 28°/40°: 601 mm (23.6 in)
- Height: 189 mm (7.4 in)
- Height with bracket: 372 mm (14.6 in)
- Width: 212 mm (8.3 in)
- Weight without optic: 5.7 kg (12.5 lbs)
- Weight with Profile Zoom 28°/40° optic: 8.2 Kg (18.1 lbs)

## CONTROL PROTOCOL AND PROGRAMMING

- USITT DMX512A
- DMX channels: 16 / 7 / 1 / Studio mode / RGB mode
- Setting, addressing, testing and measurements via LCD display
- RDM (Remote Device Management)

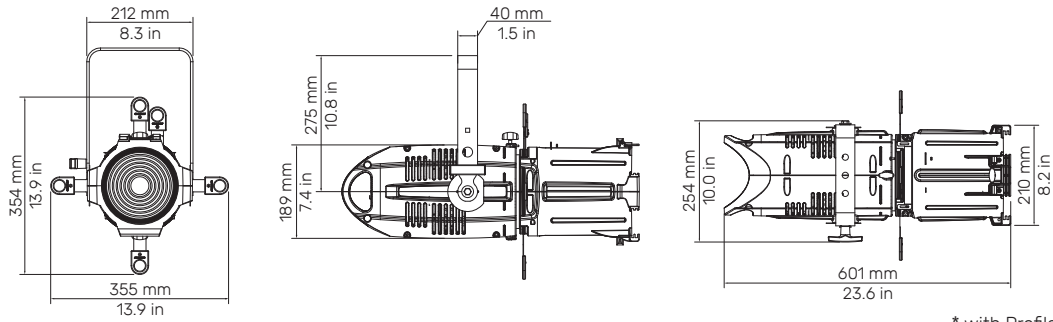
## ELECTRICAL SPECIFICATIONS AND CONNECTIONS

- AC power: 90-250 V, auto-sensing, 50/60 Hz
- In and Out PowerCon TRUE connectors to feed up to 8 (at 230 V) or 4 (at 90 V) fixtures
- Max power consumption: 220 W
- Power consumption: 1.06 A at 230 V, 2.71 A at 90 V -  $\cos\phi$  0,9
- DMX data in/out: 5 pin locking XLR

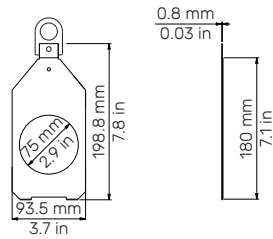
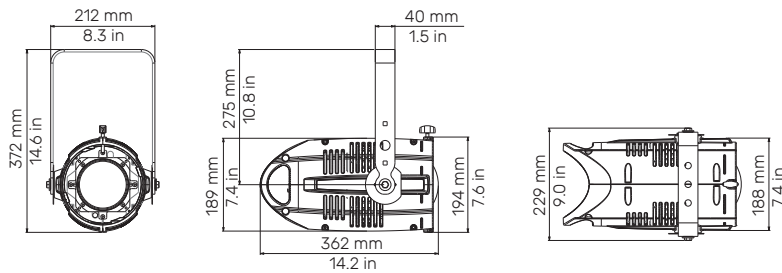
## ACCESSORIES

- Color frame
- Magnetic gobo holder
- Metal gobo holder
- Gobo holder for glass gobo
- Gobo holder for iris slot
- Iris
- Donut
- Half top hat
- Top hat
- 4-leaf barndoor
- Flight case
- Optics: Profile/Soft Profile, Zoom Profile, Lens tube in various angles available

## DRAWING SIZE



\* with Profile Zoom 28°/40° optic



\* Magnetic gobo holder (optional)

## DMX CHARTS

16 channels		7 channels		1 channel					
1	master dimmer	1	master dimmer	1	master dimmer (color temperature settable by display)				
2	red	2	red	<b>RGB mode</b>					
3	green	3	green						
4	blue	4	blue						
5	white	5	white						
6	lime	6	lime						
7	amber	7	amber						
8	strobe effect	<b>Studio mode</b>				1	master dimmer		
9	dimmer fine					2	white tone	2	dimmer fine
10	special function					3	green saturation	3	red
11	red tone			4	saturation	4	green		
12	green tone			5	hue	5	blue		
13	blue tone			6	dimmer fine	6	white tone		
14	white tone			7	special function	7	saturation		
15	green saturation			8	strobe effect				
16	saturation			9	special function				

## PHOTOMETRIC DATA

The LEDko Photometric Data may be downloaded from [www.coemar.com](http://www.coemar.com).

## ACCESSORIES

### Optics

Code	Description
BC10011A017	Profile Zoom 15°-35°
BC10011A019	Profile Zoom 25°-50°
BC10011A003	Profile Zoom 28°-40°
BC10011A002	Soft Profile Fresnel Zoom 14° - 40°
BC10011A001	Soft Profile PC Zoom 11° - 38°
BC10011A200	Front barrel with burnished blades
BC10011A041*	Profile 5°, Lens Tube
BC10011A042*	Profile 10°, Lens Tube
BC10011A023*	Profile 14°, Lens Tube
BC10011A012*	Profile 19°, Lens Tube
BC10011A013*	Profile 26°, Lens Tube
BC10011A015*	Profile 36°, Lens Tube
BC10011A016*	Profile 50°, Lens Tube
BC10011A024*	Profile 70°, Lens Tube
BC10011A025*	Profile 90°, Lens Tube

### Accessories for Profile Zoom

Code	Description
BC10011A028	Donut (190.5 mm)
BC10011A027	Half Top Hat (190.5 mm)
BC10011A029	Top Hat (190.5 mm)
BC10011A040	Color frame holder (190.5 mm)

### Accessories for Soft Profile

Code	Description
BC10011A036	Donut (185 mm)
BC10011A035	Half Top Hat (185 mm)
BC10011A037	Top Hat (185 mm)
ACO4204	Color Frame Holder (185 mm)

### Accessories for Lens Tube

Code	Description
BC10011A036	Donut (159 mm)
BC10011A035	Half Top Hat (159 mm)
BC10011A037	Top Hat (159 mm)
BC10011A021	Color Frame Holder (159 mm)

### General accessories

Code	Description
ACO4202	4 leaf barndoor
BC10011A006	Magnetic gobo holder
BC10011A106	Metal gobo holder
BC10011A030	Gobo holder for glass gobo
BC10011A010	Iris
BC10011A049	Gobo holder for iris slot
BC10011A047	Hook Clamp, 48 - 51 mm (Safe Working Load 20 Kg.)
BC10011A045	Light Clamp silver, 48 - 51 mm (Safe Working Load 75 Kg.)
BC10011A046	Light Clamp black, 48 - 51 mm (Safe Working Load 75 Kg.)
BC10011A043	Clamp silver flat 13 - 30 mm / ø 15 - 50 mm (Safe Working Load: 20 Kg.)
BC10011A044	Clamp black flat 13 - 30 mm / ø 15 - 50 mm (Safe Working Load 20 Kg.)