



Otello 6 HD FullSpectrum

Product code: F044Q000M

KEY FEATURES

- Fresnel lens
- HD electronics and LCD display
- Motorized zoom (manual / PO version available)
- 20 bit RGBCLA color mixing
- Green-Magenta adjustment
- Continuously variable CCT from 2.700 to 6.500 K (CRI avg. > 95)
- Electronic 16 bit dimming with 4 selectable curves (Exponential, Logarithmic, Linear and Halo) digitally processed at 20 bit
- Fan setting with 4 different options (Low, Auto, Studio or DMX regulated)
- Dim-to-Warm function
- Guaranteed flicker-free



SPECIFICATIONS

- Red, Green, Blue, Cyan, Lime, Amber color mixing
- CCT: all whites from 2.700 to 6.500 K
- Fresnel lens (diameter: 150 mm / 5.9 in)
- HD electronics and LCD display
- Motorized zoom range from 14° to 81° (manual / PO zoom available)
- Green-Magenta adjustment: continuously adjustable (Full Minusgreen to Full Plusgreen)
- Electronic 16 bit dimming with 4 selectable curves: exponential, logarithmic, linear or halo (curves digitally processed at 20 bit)
- Synchronized, random or pulse electronic strobe
- Dim-to-Warm function
- Guaranteed flicker-free operation (20.000 Hz LED refresh rate)
- Fan setting with 4 different options (low, auto, studio, DMX regulated)
- IP rating: 20
- CE approved

LIGHT SOURCE

- RGBCLA LEDs module (CRI Average > 95)
- Average LED lifetime: a minimum of 80% of the initial luminous flux will be maintained after approx. 50.000 hours of usage (50.000 LM80)

PHYSICAL SIZE

- Length: 425.5 mm (16.76 in)
- Width: 277.7 mm (10.93 in)
- Height: 267.3 mm (10.52 in)
- Height with bracket: 384.2 mm (15.13 in)
- Weight: 9.5 Kg (20.94 lbs)

CONTROL PROTOCOL AND PROGRAMMING

- USITT DMX512A
- DMX channels (motorized zoom version): 17 / 8 / Studio mode / RGB mode
- DMX channels (manual / PO zoom version): 16 / 7 / 1 / Studio mode / RGB mode
- Setting, addressing, testing and measurements via LCD display
- RDM (Remote Device Management)

ELECTRICAL SPECIFICATIONS AND CONNECTIONS

- AC power: 90-264 V, auto-sensing, 50/60 Hz
- Max power consumption (motorized zoom): 210 W
- Max power consumption (manual / PO zoom): 200 W
- Power consumption (motorized zoom): 0.98 A at 230 V, 1.86 A at 115 V - cosφ 0.93 min.
- Power consumption (manual / PO zoom): 0.94 A at 230 V, 1.77 A at 115 V - cosφ 0.93 min.
- In and Out PowerCon TRUE connectors
- DMX data in/out: 5 pin locking XLR

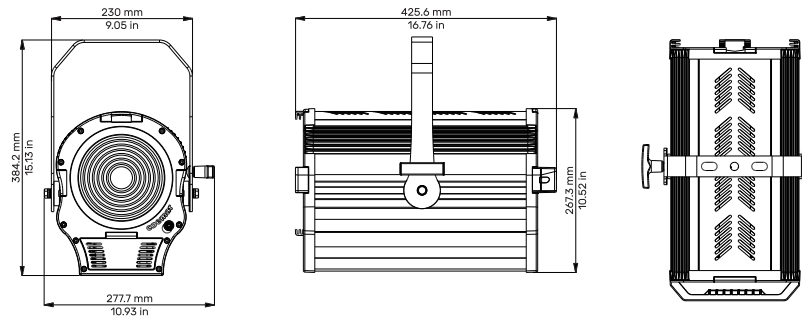
ACCESSORIES

- 8-leaf barndoor
- Color frame holder

AVAILABLE VERSIONS

- Pole operated zoom and yoke (F044Q010M)
- Manual zoom and yoke (F044Q090M)

DRAWING SIZE



DMX CHARTS

Motorized zoom

17 channels	
1	master dimmer
2	red
3	green
4	blue
5	cyan
6	lime
7	amber
8	strobe effect
9	dimmer fine
10	special function
11	red tone
12	green tone
13	blue tone
14	white tone
15	green saturation
16	saturation
17	zoom

Studio mode	
1	master dimmer
2	white tone
3	green saturation
4	saturation
5	hue
6	dimmer fine
7	special function
8	zoom

8 channels	
1	master dimmer
2	red
3	green
4	blue
5	cyan
6	lime
7	amber
8	zoom

RGB mode	
1	master dimmer
2	dimmer fine
3	red
4	green
5	blue
6	white tone
7	saturation
8	strobe effect
9	special function
10	zoom

16 channels	
1	master dimmer
2	red
3	green
4	blue
5	cyan
6	lime
7	amber
8	strobe effect
9	dimmer fine
10	special function
11	red tone
12	green tone
13	blue tone
14	white tone
15	green saturation
16	saturation

Studio mode	
1	master dimmer
2	white tone
3	green saturation
4	saturation
5	hue
6	dimmer fine
7	special function

Manual / PO zoom

7 channels	
1	master dimmer
2	red
3	green
4	blue
5	cyan
6	lime
7	amber

RGB mode	
1	master dimmer
2	dimmer fine
3	red
4	green
5	blue
6	white tone
7	saturation
8	strobe effect
9	special function

1 channel	
1	master dimmer (color temperature settable by display)

ACCESSORIES

Code	Description
BC10044A001	8-leaf barndoor
O288.033	Color frame holder