



Otello 6 HD VariWhite

Product code: F044G000M



KEY FEATURES

- 2.800 - 6.500 K continuously variable CCT
- CRI Average > 94
- HD electronics and LCD display
- Motorized zoom range from 14° to 81°
- Smooth 16 bit dimmer (processed at 20 bit thanks to HD electronics)
- Guaranteed flicker-free operation
- Fan setting with 4 different options (low, auto, studio, DMX regulated)

SPECIFICATIONS

- CCT proportional control from 2.800 to 6.500 K
- Fresnel lens (diameter: 150 mm / 5.9 in)
- HD electronics and LCD display
- Motorized zoom range from 14° to 81°
- Electronic 16 bit dimming with 3 selectable curves: exponential, logarithmic and linear (curves digitally processed at 20 bit)
- Synchronized, random or pulse electronic strobe
- Guaranteed flicker-free operation
- Fan setting with 4 different options (low, auto, studio, DMX regulated)
- IP rating: 20

LIGHT SOURCE

- Multiple LEDs module (CRI 92 at 3.200 K - CRI 95 at 5.600 K)
- Average LED lifetime: a minimum of 80% of the initial luminous flux will be maintained after approx. 50.000 hours of usage (50.000 LM80)

PHYSICAL SIZE

- Length: 425.5 mm (16.76 in)
- Width: 277.7 mm (10.93 in)
- Height: 267.3 mm (10.52 in)
- Height with bracket: 384.2 mm (15.13 in)
- Weight: 9.5 Kg (20.94 lbs)

CONTROL PROTOCOL AND PROGRAMMING

- USITT DMX512A
- DMX channels: 8 / 4 / 3
- Setting, addressing, testing and measurements via LCD display
- RDM (Remote Device Management)

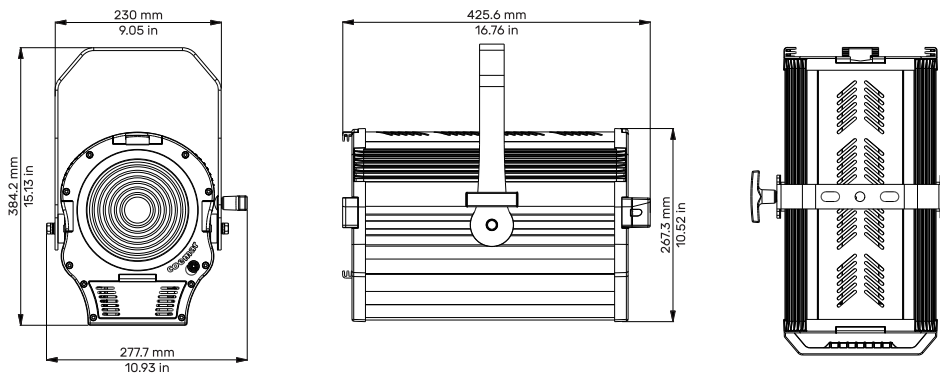
ELECTRICAL SPECIFICATIONS AND CONNECTIONS

- AC power: 90-230 V, auto-sensing, 50/60 Hz
- Max power consumption: 200 W
- Power consumption: 0.92 A at 230 V, 1.83 A at 115 V - $\cos\phi$ 0.95
- In and Out PowerCon TRUE connectors
- DMX data in/out: 5 pin locking XLR

ACCESSORIES

- Pole operated yoke
- 4-leaf barndoor
- 8-leaf barndoor
- Color frame holder

DRAWING SIZE



DMX CHARTS

8 channels		4 channels		3 channels	
1	master dimmer	1	master dimmer	1	master dimmer
2	dimmer fine	2	white tone	2	zoom
3	white tone	3	zoom	3	motor reset
4	white fine tuning	4	motor reset		
5	strobe effect				
6	special function				
7	zoom				
8	motor reset				

PHOTOMETRIC DATA

The Otello Photometric Data may be downloaded from www.coemar.com.

ACCESSORIES

Code	Description
AC04202	4-leaf barndoor
BC10044A001	8-leaf barndoor
BC10044A000	Pole operated yoke
O288.033	Color frame holder