



Otello 6 VariWhite

Product code: F044G000M

KEY FEATURES

- 2800 K - 6500 K Continuously Variable Correlated Color Temperature
- CRI Average > 94
- Motorized zoom range from 14° to 81°
- Smooth 16-bit dimmer (processed at 20-bit thanks to HD electronic)
- Guaranteed flicker-free operation
- Fan setting with 4 different options (low, auto, studio, DMX regulated)



SPECIFICATIONS

- Proportional control of white color temperature from 2800 to 6500 K
- Fresnel lens (diameter: 150 mm / 5.9 in)
- Motorized zoom range from 14° to 81°
- Electronic 16 bit dimming with 4 selectable curves: exponential, logarithmic, linear and halo (curves digitally processed at 20 bit)
- Synchronized, random or pulse electronic strobe
- Guaranteed Flicker-free operation
- Fan setting with 4 different options (low, auto, studio, DMX regulated)
- IP rating: 20

LIGHT SOURCE

- Modular multiple LEDs, CRI92 at 3200 K - CRI95 at 5600 K
- LEDs life: 20.000 hours at 70% lumen intensity maintenance

PHYSICAL SIZE

- Length: 425.5 mm (16.76 in)
- Width: 277.7 mm (10.93 in)
- Height: 267.3 mm (10.52 in)
- Height with bracket: 384.2 mm (15.13 in)
- Weight: 9.5 Kg (20.94 lbs)

CONTROL PROTOCOL AND PROGRAMMING

- USITT DMX512A
- DMX channels: 8 / 4 / 3
- Setting, addressing, testing and measurements via LCD display
- Remote Device Management (RDM)

ELECTRICAL SPECIFICATIONS AND CONNECTIONS

- AC power: 90-230 V, auto sensing, 50/60 Hz
- Max power consumption: 200 W
- Power consumption: 0.92 A at 230 V, 2.34 A at 90 V - cosφ 0.95
- In and Out PowerCon TRUE connectors
- DMX data in/out: 5 pin locking XLR

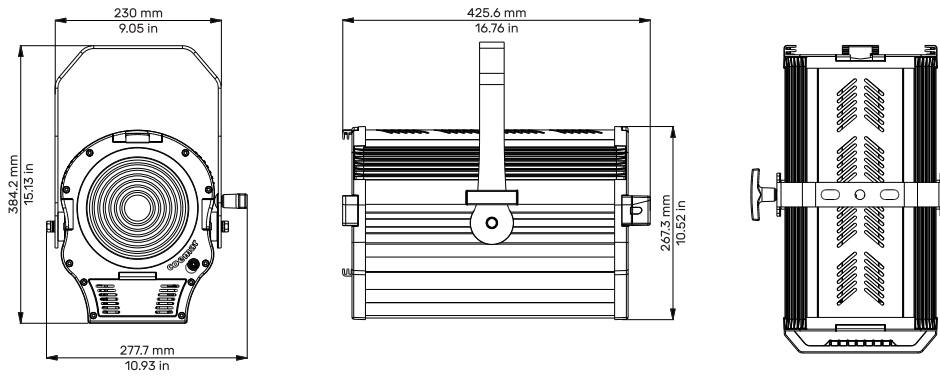
ACCESSORIES

- Pole operated yoke
- 4-leaf barndoor
- 8-leaf barndoor
- Color frame holder

AVAILABLE VERSIONS

- Otello 6 Tungsten/Daylight
- Otello 6 FullSpectrum

DRAWING SIZE



DMX CHARTS

8 channels	
1	master dimmer
2	dimmer fine
3	white tone
4	white fine tuning
5	strobe effect
6	special function
7	zoom
8	motor reset

4 channels	
1	master dimmer
2	white tone
3	zoom
4	motor reset

3 channels	
1	master dimmer
2	zoom
3	motor reset