



# Otello 8 HD FullSpectrum

Product code: F044Q000P

## KEY FEATURES

- Fresnel lens
- HD electronics and LCD display
- Motorized zoom (PO version available)
- 20 bit RGBCLA color mixing
- Green-Magenta adjustment
- Continuously variable CCT from 2.700 to 6.500 K (CRI avg. > 95)
- Electronic 16 bit dimming with 4 selectable curves (Exponential, Logarithmic, Linear and Halo) digitally processed at 20 bit
- Fan setting with 4 different options (Low, Auto, Studio or DMX regulated)
- Dim-to-Warm function
- Guaranteed flicker-free



## SPECIFICATIONS

- Red, Green, Blue, Cyan, Lime, Amber color mixing
- CCT: all whites from 2.700 to 6.500 K
- Fresnel lens (diameter: 200 mm / 7.87 in)
- HD electronics and LCD display
- Motorized zoom range from 10° to 83°
- Green-Magenta adjustment: continuously adjustable (Full Minusgreen to Full Plusgreen)
- Electronic 16 bit dimming with 4 selectable curves: exponential, logarithmic, linear or halo (curves digitally processed at 20 bit)
- Synchronized, random or pulse electronic strobe
- Dim-to-Warm function
- Guaranteed flicker-free operation (20.000 Hz LED refresh rate)
- Fan setting with 4 different options (low, auto, studio, DMX regulated)
- IP rating: 20
- CE approved

## LIGHT SOURCE

- RGBCLA LEDs module (CRI Average > 95)
- Average LED lifetime: a minimum of 80% of the initial luminous flux will be maintained after approx. 50.000 hours of usage (50.000 LM80)

## PHYSICAL SIZE

- Length: 489 mm (19.25 in)
- Width: 313 mm (12.32 in)
- Height: 314 mm (12.36 in)
- Weight: 13.5 Kg (29.76 lbs)

## CONTROL PROTOCOL AND PROGRAMMING

- USITT DMX512A
- DMX channels: 17 / 8 / 2 / Studio mode / RGB mode
- Setting, addressing, testing and measurements via LCD display
- RDM (Remote Device Management)

## ELECTRICAL SPECIFICATIONS AND CONNECTIONS

- AC power: 80-264 V, auto-sensing, 50/60 Hz
- Max power consumption: 340 W
- Power consumption: 1.57 A at 230 V, 3.02 A at 115 V - cosφ 0.94
- In and Out PowerCon TRUE connectors
- DMX data in/out: 5 pin locking XLR

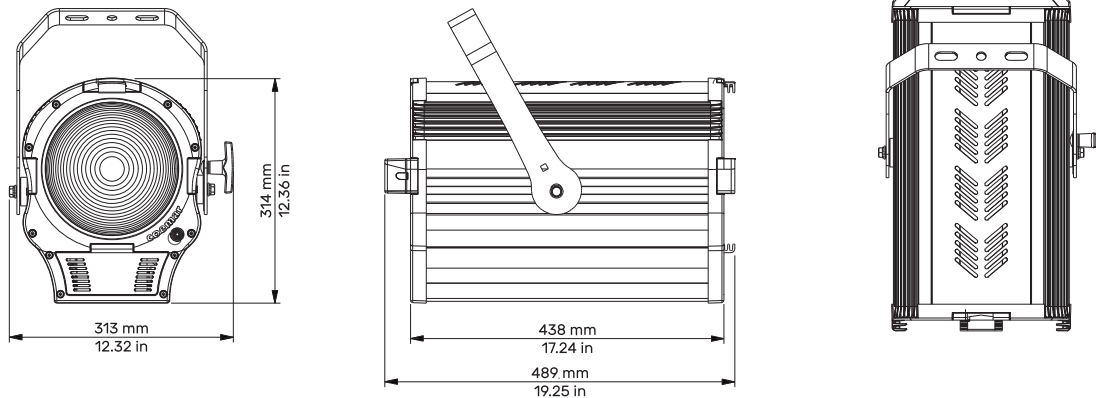
## ACCESSORIES

- 8-leaf barndoor
- Color frame holder

## AVAILABLE VERSIONS

- Pole operated zoom and yoke

## DRAWING SIZE



## DMX CHARTS

17 channels		8 channels		2 channel	
1	master dimmer	1	master dimmer	1	master dimmer (color temperature settable by display)
2	red	2	red	2	zoom
3	green	3	green		
4	blue	4	blue		
5	cyan	5	cyan		
6	lime	6	lime		
7	amber	7	amber		
8	strobe effect	8	zoom		
9	dimmer fine				
10	special function				
11	red tone				
12	green tone				
13	blue tone				
14	white tone				
15	green saturation				
16	saturation				
17	zoom				

Studio mode	
1	master dimmer
2	white tone
3	green saturation
4	saturation
5	hue
6	dimmer fine
7	special function
8	zoom

RGB mode	
1	master dimmer
2	dimmer fine
3	red
4	green
5	blue
6	white tone
7	saturation
8	strobe effect
9	special function
10	zoom

## PHOTOMETRIC DATA

The Otello Photometric Data may be downloaded from [www.coemar.com](http://www.coemar.com).

## ACCESSORIES

Code	Description
BC10044A001	8-leaf barndoor
O288.033	Color frame holder