



Otello 8 HD FullSpectrum

Product code: F044Q000P

KEY FEATURES

- 20 bit color mixing through 6 colors: Red, Green, Blue, Cyan, Lime, Amber
- CCT: from 2.700 K to 6.500 K
- CRI Average > 95
- HD electronics and LCD display
- Motorized zoom range from 10° to 83°
- Smooth 16 bit dimmer (4 different curves selectable digitally processed at 20 bit)
- Green-Magenta Adjustment
- Guaranteed flicker-free operation
- Fan setting with 4 different options (low, auto, studio, DMX regulated)



SPECIFICATIONS

- Red, Green, Blue, Cyan, Lime, Amber color mixing
- CCT: all whites from 2.700 to 6.500 K
- Fresnel lens (diameter: 200 mm / 7.87 in)
- HD electronics and LCD display
- Motorized zoom range from 10° to 83°
- Green-Magenta adjustment: continuously adjustable (Full Minusgreen to Full Plusgreen)
- Electronic 16 bit dimming with 4 selectable curves: exponential, logarithmic, linear and halo (curves digitally processed at 20 bit)
- Synchronized, random or pulse electronic strobe
- Guaranteed flicker-free operation
- Fan setting with 4 different options (low, auto, studio, DMX regulated)
- IP rating: 20

LIGHT SOURCE

- Multiple LEDs module (CRI Average > 95)
- Average LED lifetime: a minimum of 80% of the initial luminous flux will be maintained after approx. 50.000 hours of usage (50.000 LM80)

PHYSICAL SIZE

- Length: 489 mm (19.25 in)
- Width: 313 mm (12.32 in)
- Height: 314 mm (12.36 in)
- Weight: 13.5 Kg (29.76 lbs)

CONTROL PROTOCOL AND PROGRAMMING

- USITT DMX512A
- DMX channels: 18 / 9 / 3 / Studio mode / RGB mode
- Setting, addressing, testing and measurements via LCD display
- RDM (Remote Device Management)

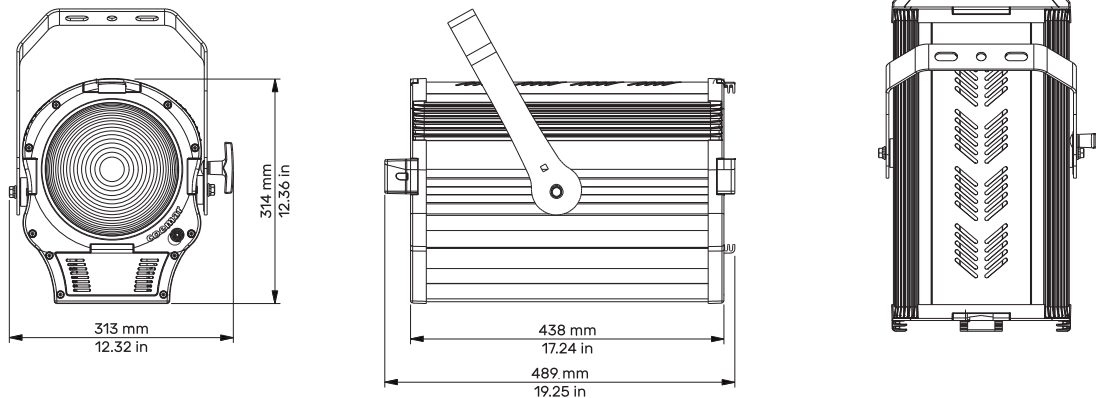
ELECTRICAL SPECIFICATIONS AND CONNECTIONS

- AC power: 90-230 V, auto-sensing, 50/60 Hz
- Max power consumption: 330 W
- Power consumption: 1.44 A at 230 V, 2.89 A at 115 V - cosφ 0.99
- In and Out PowerCon TRUE connectors
- DMX data in/out: 5 pin locking XLR

ACCESSORIES

- Pole operated yoke
- 4-leaf barndoor
- 8-leaf barndoor
- Color frame holder

DRAWING SIZE



DMX CHARTS

18 channels	
1	master dimmer
2	red
3	green
4	blue
5	cyan
6	lime
7	amber
8	strobe effect
9	dimmer fine
10	special function
11	red tone
12	green tone
13	blue tone
14	white tone
15	green saturation
16	saturation
17	zoom
18	motor reset

9 channels	
1	master dimmer
2	red
3	green
4	blue
5	cyan
6	lime
7	amber
8	zoom
9	motor reset

Studio mode	
1	master dimmer
2	white tone
3	green saturation
4	saturation
5	hue
6	dimmer fine
7	special function
8	zoom
9	motor reset

3 channel	
1	master dimmer (color temperature settable by display)
2	zoom
3	motor reset

RGB mode	
1	master dimmer
2	dimmer fine
3	red
4	green
5	blue
6	white tone
7	saturation
8	strobe effect
9	special function
10	zoom
11	motor reset

PHOTOMETRIC DATA

The Otello Photometric Data may be downloaded from www.coemar.com.

ACCESSORIES

Code	Description
AC04203	4-leaf barndoor
BC10044A002	8-leaf barndoor
T.B.C.	Pole operated yoke
0288.095	Color frame holder