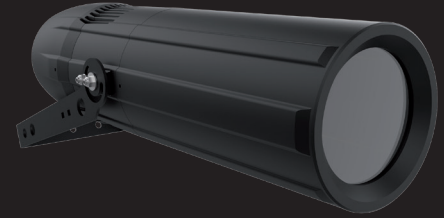


 **LEDko EXT Basic T/D**

## KEY FEATURES

- LED profile spot IP 65
- Tungsten or Daylight COB LED (CRI 80 - CRI 90)
- On/Off
- Profile zoom from 14° to 35° or from 10° to 25°
- Four blade framing system and internal gobo holder
- Instantly create gobos from any standard printer
- Guaranteed flicker-free



## SPECIFICATIONS

- Fixed white CCT: 3.200 K or 5.600 K
- IP rating: 65 (weatherproof)
- Profile zoom from 14° to 35° or from 10° to 25°
- Four blade framing system, each shutter blade is adjustable for radial position and angle
- Internal gobo holder (standard gobo size B)
- Flicker-free operation
- CE approved

## LIGHT SOURCE

- Tungsten or Daylight COB LED (CRI 80 or CRI 90)
- Average LED lifetime: a minimum of 80% of the initial luminous flux will be maintained after approx. 50.000 hours of usage (50.000 LM80)

## PHYSICAL SIZE (with 14°-35° Optic)

- Length: 687.8 mm (27.07 in)
- Width: 252.6 mm (9.94 in)
- Height: 185 mm (7.28 in)
- Height with bracket: 405 mm (15.94 in)
- Weight: 14.0 Kg (30.8 lbs)

## PHYSICAL SIZE (with 10°-25° Optic)

- Length: 807.7 mm (31.8 in)
- Width: 252.6 mm (9.94 in)
- Height: 185 mm (7.28 in)
- Height with bracket: 405 mm (15.94 in)
- Weight: 15.5 Kg (34.2 lbs)

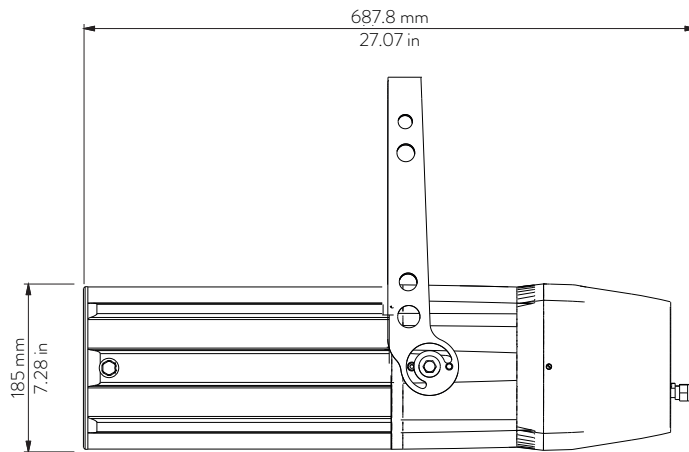
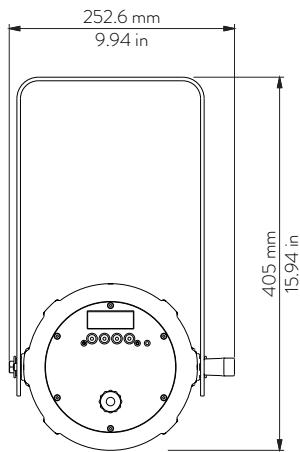
## CONTROL PROTOCOL AND PROGRAMMING

- On/Off

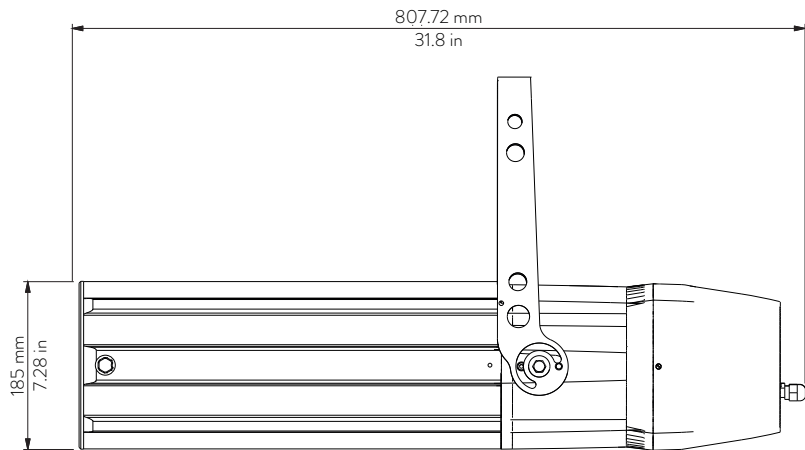
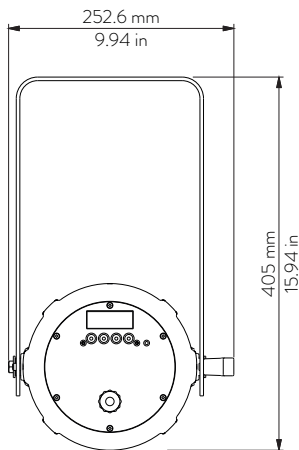
## ELECTRICAL SPECIFICATIONS AND CONNECTIONS

- AC power: 90-305 V, auto-sensing, 50/60 Hz
- Internal cable without power plug
- Max power consumption: 140 W
- Power consumption: 0.6 A at 230 V, 1.27 A at 115 V -  $\cos\phi$  0.96

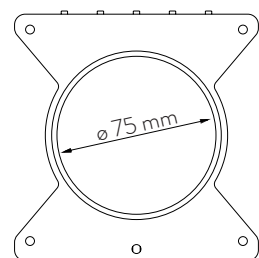
DRAWING SIZE



**LEDko EXT with 14°-35° Optic**



**LEDko EXT with 10°-25° Optic**



**Gobo Holder**