



Pixel RGBW

Product code:
PC10031A000

Last update:
28/03/2023



Pixel RGBW

Introducing

● Pixel has been specifically designed to provide lighting designers with a creative, flexible tool to achieve numerous lighting effects.

Thanks to its hexagonal cut, Pixel can be mounted to form diverse shapes either linear, serpentine or an even a larger hexagonal shape. The mounting is easy and fast thanks to its magnetic system. The single LED chip and lenses can be chosen to create unique installations. Pixel is suitable for indoor and outdoor installations (IP65 rated). It can be controlled via DMX or Artnet. It is self-addressing to simplify the installation, and it is the perfect product for archtainment installations such as façade lighting, ferries wheel, etc.

Key Features



- 4 RGBW LEDs
- RGBW color mixing



- IP 65



- Beam angle: Narrow, Medium, Wide



- Body in aluminium



- Custom color on request (optional)



- Short Yoke, Long Yoke, Spherical Joint (accessories)



- European Conformity certification

General

● LED Source	RGBW COB LED
● Dimming	Smooth dimming from 100% to 0%
● Optical	Beam angle: Narrow, Medium, Wide
● Camera flicker free	Yes
● L80 Rating (hours to 80% output)	50.000 Hours

Electrical

● Voltage Input	DC 48 V, 50-60 Hz
● Power Consumption	10 W Maximum - 0.25 A at 48 V - $\cos\phi$: 0.9
● Power Connection	Internal Cable
● Data Connection	T Connection In/Out with Autoaddressing

Thermal

● Ambient Operating Temperature	-40°C - +40°C (-40°F - 104°F)
● Cooling	Passive cooling, fan-free

Control

● Control Box	RegoPixel (Maximum n°32 Pixel for n°1 RegoPixel)
● Control Variants	DMX512, RDM (Remote Device Management)
● RDM	DMX Setup, Fixture Status, RDM Commands
● DMX Channels	4

Physical

● Yoke	Short Yoke, Long Yoke, Spherical Joint (accessories)
● Material	Body in aluminium
● Weight	0.8 kg / 1.76 lbs
● Length	89 mm / 3.5 in
● Height	79 mm / 3.11 in
● Width	78 mm / 3.07 in
● IP Rating	IP65
● Color options	Black (standard), custom color on request (optional)

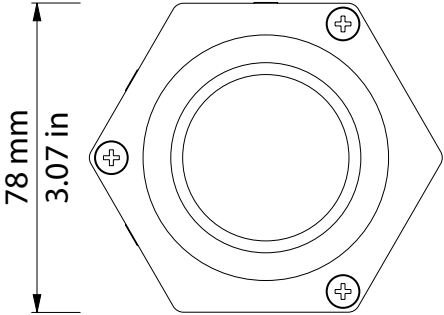
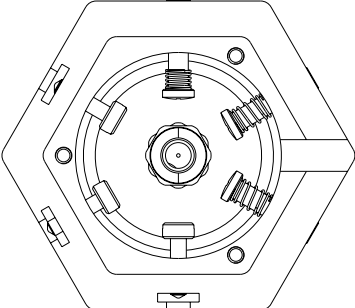
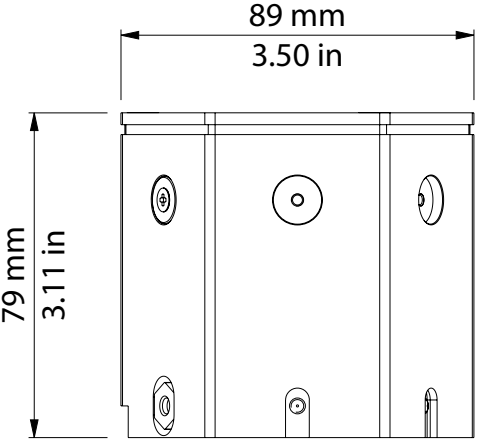
General accessories

BC10031A003	Short Yoke
BC10031A004	Long Yoke
BC10031A005	Spherical Joint

4 Channels

- 01 → Red
- 02 → Green
- 03 → Blue
- 04 → White

Drawing Size



● Coemar Lighting S.r.l.

Via Carpenedolo, 90
46043, Castiglione delle Stiviere (MN) – Italy

P. +39 0376 1514412

M1. info@coemar.com

M2. service@coemar.com

W. coemar.com

P.iva – C.f. 02415330204

