

Bid.o.S.

Product code:
AF0662

Last update:
28/03/2023



Bid.o.S. rack version

Introducing

- DMX/RDM Opto-splitter with 1 DMX input, 1 DMX thru and 5 DMX outputs. Bid.o.S can manage **1 DMX network** and can also be configured for traditional DMX512 network.
Available in two versions: 19" rack mount or truss mount

Key Features



- DMX/RDM Opto-splitter with 1 DMX input, 1 DMX thru and 5 DMX outputs



- Available in two versions: 19" rack mount or truss mount

General

● Control	Amplifier/opto isolator, it can manage one DMX network
● LEDs indicator	Test the correct functioning of the in/out DMX lines

Electrical

● Voltage Input	100-240 V, 50/60 Hz
● Data Connection	1 DMX in, 1 DMX thru and 5 DMX out (5 pin locking XLR)

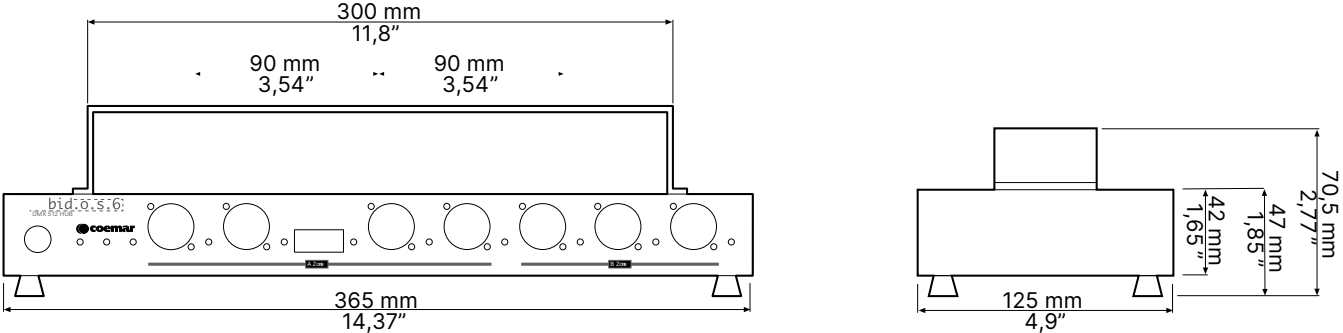
Control

● Control Variants	DMX512, RDM (Remote Device Management)
● RDM configuration	Yes
● Setting and addressing	Binary dip switch

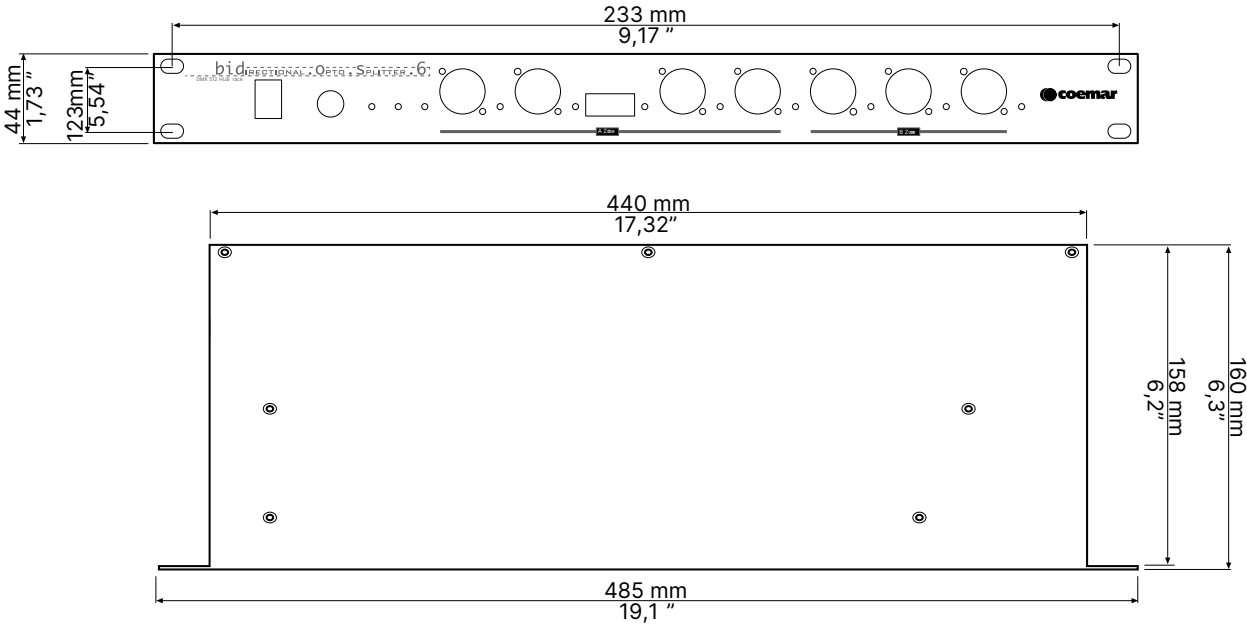
Physical

● Mounting Options	19" rack mount or truss mount
● Weight	2.5 Kg / 5.5 lbs
● Length	365 mm / 14.4 in
● Height	47 mm / 1.9 in
● Width	125 mm / 4.9 in
● IP Rating	IP20

Truss Mount



Rack Mount



● Coemar Lighting S.r.l.

Via Carpenedolo, 90
46043, Castiglione delle Stiviere (MN) – Italy

P. +39 0376 1514412

M1. info@coemar.com

M2. service@coemar.com

W. coemar.com

P.iva – C.f. 02415330204

