



LEDko TM Profile FullSpectrum 6

Product code: F002Q030A

KEY FEATURES

- Color mixing through 6 colors including high-output lime to achieve true, usable broad-spectrum color with a depth and feel beyond any RGB fixture
- Green-Magenta adjustment
- 2.700 - 6.500 K continuously Variable Correlated Color Temperature with color rendering index greater than 90 (CRI > 90)
- Ultra quiet operation: ideal for low noise applications
- Special 24-blade motorized iris
- Motorized framing system, adjustable over 90°
- Guaranteed flicker-free operation (DMX controlled frequency)



SPECIFICATIONS

- Red, Green, Blue, White, Lime, Amber color mixing
- CCT: all whites from 2.700 to 6.500 K
- Motorized zoom from 13° to 38°
- Four blade motorized framing system, each shutter blade is adjustable for radial position and angle, 90° rotation of the entire system
- Green-Magenta adjustment
- Motorized 24-blade Iris
- Electronic 16 bit dimming with 2 selectable curves, simulating halogen or discharge lamp based fixtures
- Synchronized, random or pulse electronic strobe
- Flicker-free operation with LEDs frequency controlled via DMX from 600 to 19.000 Hz
- Frost
- Fan setting with 3 different options (low, auto, DMX)
- Pan 540°, Tilt 270°, 16 bit
- Aluminium structure with die-cast plastic cover
- IP rating: 20

LIGHT SOURCE

- 250 W RGBW multiple COB LEDs (CRI > 90)
- Average LED lifetime: a minimum of 80% of the initial luminous flux will be maintained after approx. 50.000 hours of usage (50.000 LM80)

PHYSICAL SIZE

- Length: 459 mm (18 in)
- Width: 378 mm (14.9 in)
- Height (head straight up): 819 mm (32.2 in)
- Weight: 36.0 Kg (79.0 lbs)

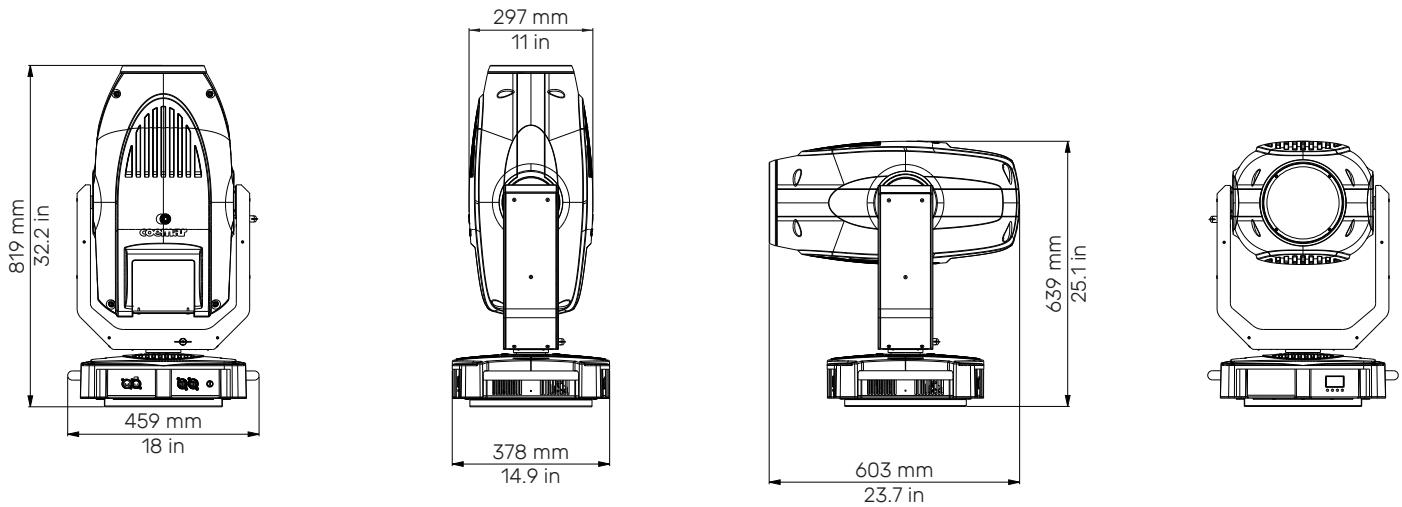
CONTROL PROTOCOL AND PROGRAMMING

- USITT DMX512A
- DMX channels: 32
- Setting, addressing, testing and measurements via LCD display

ELECTRICAL SPECIFICATIONS AND CONNECTIONS

- AC power: 90-240V, auto-sensing, 50/60 Hz
- In and Out PowerCon connectors with 2 m (6.6 ft) PowerCon cable without power plug
- Max power consumption: 400 W
- Power consumption: 1.74 A at 230 V - cosφ 0,9
- DMX data in/out: 5 pin locking XLR

DRAWING SIZE



DMX CHARTS

32 channels	
1	x axis, base movement (pan) corse
2	x axis, base movement (pan) fine
3	y axis, base movement (tilt) corse
4	y axis, base movement (tilt) fine
5	movement speed
6	master dimmer
7	dimmer fine
8	red
9	green
10	blue
11	white
12	lime
13	amber
14	white tone
15	green saturation
16	strobe effect
17	iris diaphragm
18	focus
19	zoom
20	plus zoom
21	frost
22	framing shutter 1
23	framing shutter 1 angle
24	framing shutter 2
25	framing shutter 2 angle
26	framing shutter 3
27	framing shutter 3 angle
28	framing shutter 4
29	framing shutter 4 angle
30	framing rotation
31	special function
32	reset, display on/off, autofocus

PHOTOMETRIC DATA

The LEDko TM Profile Photometric Data may be downloaded from www.coemar.com.